



WB-6-N
(handles not included)

NOTE: To convert standard faucet to stout style faucet, specify accessory model number BT-CFG and add \$270 List per faucet.

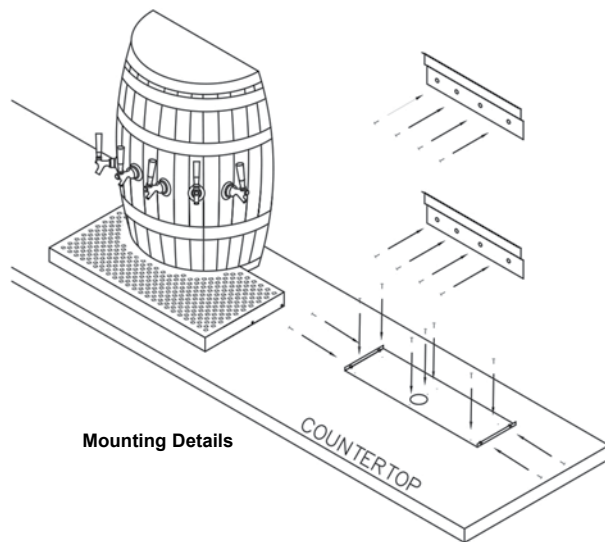
PRODUCT INFORMATION

(see WB Spec Sheet for complete details)

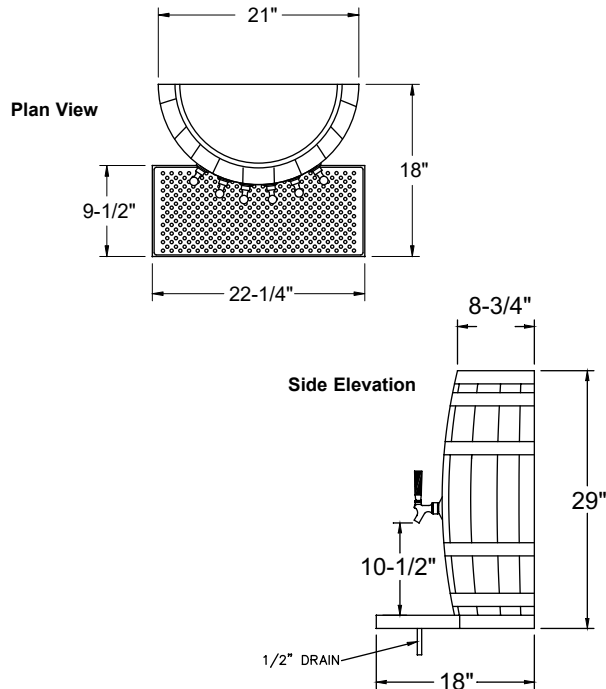
STANDARD FEATURES

- Oak wood barrel construction
- Includes separate 300 series stainless steel surface mount drain pan with lift-out perforated inserts
- 1/4" shanks with 3/16" restriction lines
- Available in flat black or natural unfinished
- Available with cold plate assembly and insulated restriction lines for glycol recirculating system (specify suffix 'R' in the model number)
- Available in three through six faucet models
- Includes wall mounting brackets
- All stainless steel faucets and shanks to resist corrosion and prevent metallic leaching, making them ideal for both draft beer and wine applications

*NOTE: Wood Barrel Towers are manufactured to order and are not returnable



Mounting Details



WOOD BARREL TOWERS WITH DRAIN PAN AND 72" RESTRICTION LINES

FLAT BLACK	LIST	NATURAL WOOD	LIST	# OF FAUCETS	WGT
WB-3-B	\$3,748	WB-3-N	\$3,748	3	85#
WB-3-BR	\$4,628	WB-3-NR	\$4,628	3	85#
WB-4-B	\$4,032	WB-4-N	\$4,032	4	90#
WB-4-BR	\$5,005	WB-4-NR	\$5,005	4	90#
WB-5-B	\$4,350	WB-5-N	\$4,350	5	95#
WB-5-BR	\$5,415	WB-5-NR	\$5,415	5	95#
WB-6-B	\$4,633	WB-6-N	\$4,633	6	100#
WB-6-BR	\$5,798	WB-6-NR	\$5,798	6	100#

Beverage Dispensing