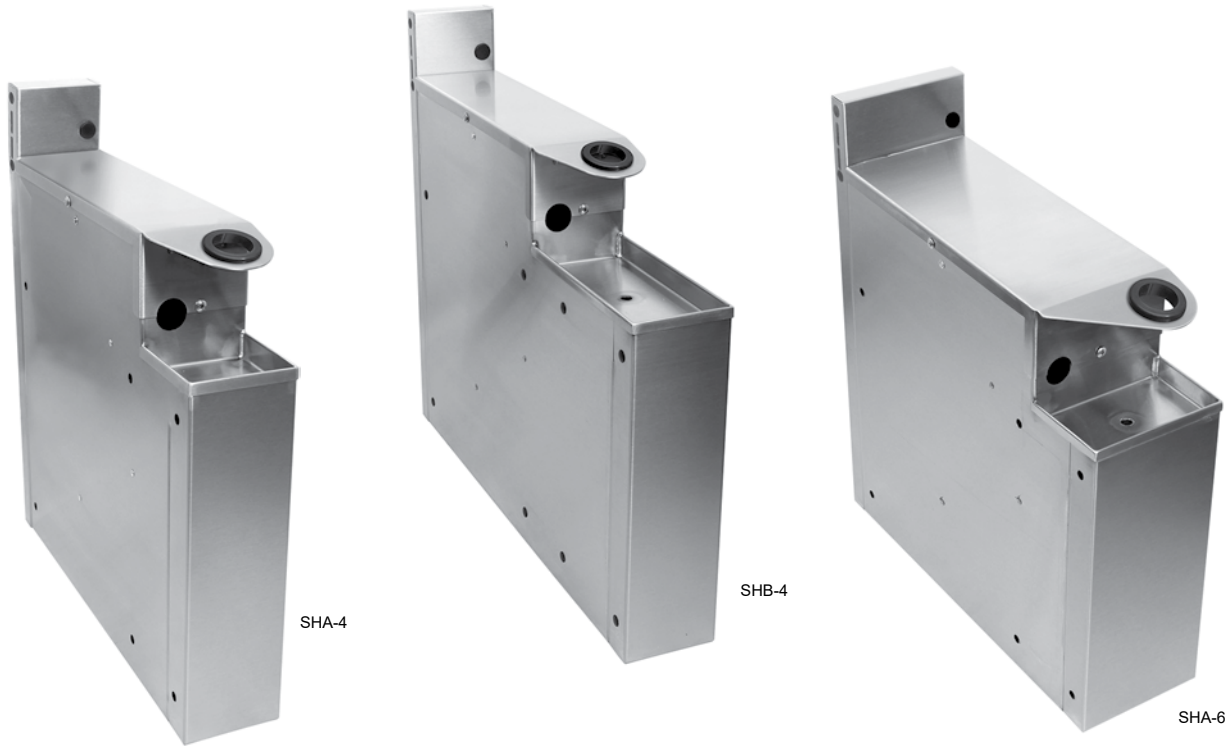


Patented. For more information visit:
<https://www.glastender.com/patents>



Bar Fabrication - Signature

PRODUCT INFORMATION

(see SH Spec Sheet for complete details)

STANDARD FEATURES

- All stainless steel construction
- Designed to house the manifold of Wunder-Bar® or Schroeder America™ 8 to 14 button soda guns
- Includes integral drip pan with radius corners for easy cleaning
- Built-in holder for soda gun
- Top cover is removable for access to the soda manifold
- Allows you to dictate the soda gun location
- Eliminates the need for tubing bundles above the work surface
- Designed to mount to at least one other piece of underbar equipment (there is no provision for leg mounting)
- Includes camlock in backsplash for mounting to adjacent underbar
- Extra deep “-ED” models available to align with extra-deep style ice bins

*NOTE: These items are manufactured to order and are not returnable

19" DEEP SODA GUN HOLDERS

MODEL	LIST	LENGTH	WEIGHT
SHA-4	\$917	4"	22#
SHA-4-ED	\$974	4"	24#
SHA-6	\$958	6"	25#
SHA-6-ED	\$1,023	6"	27#

24" DEEP SODA GUN HOLDERS

MODEL	LIST	LENGTH	WEIGHT
SHB-4	\$972	4"	22#
SHB-4-ED*	\$1,040	4"	24#
SHB-6	\$1,015	6"	25#
SHB-6-ED*	\$1,092	6"	27#

38" DEEP PASS THRU SODA GUN HOLDERS

MODEL	LIST	LENGTH	WEIGHT
SHP-4*	\$1,465	4"	32#
SHP-4-ED*	\$1,564	4"	34#
SHP-6*	\$1,552	6"	35#
SHP-6-ED*	\$1,658	6"	37#