

NOTE: To convert standard faucet to stout style faucet, specify accessory model number BT-CFG and add \$270 List per faucet.

*NOTE: Pipe Cantilever Towers are manufactured to order and are not returnable.

PIPE CANTILEVER TOWERS WITH DRAIN PAN

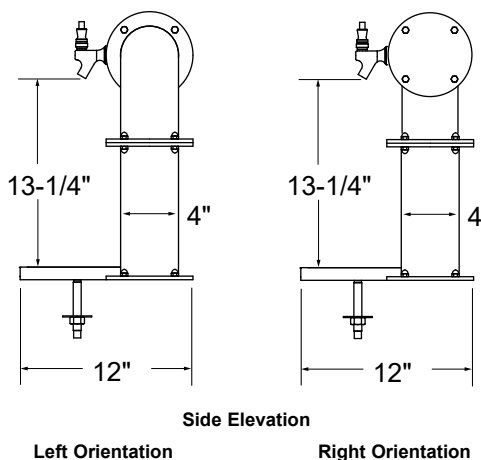
GRAINLINE FINISH		MIRROR FINISH		FAUCETS	WGT	WIDTH	SYSTEM TYPE
MODEL	LIST	MODEL	LIST				
PC-4-SS	\$5,766	PC-4-MF	\$6,264	4	32#	23"	Air Cooled
PC-4-SSR	\$5,703	PC-4-MFR	\$6,201	4	32#	23"	Glycol
PC-6-SS	\$6,621	PC-6-MF	\$7,152	6	38#	29"	Air Cooled
PC-6-SSR	\$6,531	PC-6-MFR	\$7,062	6	38#	29"	Glycol
PC-8-SS	\$7,494	PC-8-MF	\$8,057	8	44#	35"	Air Cooled
PC-8-SSR	\$7,376	PC-8-MFR	\$7,938	8	44#	35"	Glycol

PRODUCT INFORMATION

(see PC Spec Sheet for complete details)

STANDARD FEATURES

- All stainless steel construction
- Includes surface mount drain pan with lift-out perforated inserts
- 1/4" shanks with 3/16" restriction lines
- Available in grainline finish or mirror finish
- Air cooled for direct-draw system or glycol cooled for recirculating system
- Available in 4, 6, and 8 faucet sizes
- All models include all stainless steel faucets and shanks to resist corrosion and prevent metallic leaching, making them ideal for both draft beer and wine applications



RINSER FAUCET EXTENSION

Pipe Cantilever Tower drain pans are manufactured with rinser faucet extensions to the left or right of the drain pan, dependent on the tower orientation. A rinser faucet extension will add to the overall length of the drain pan. Add the appropriate RFE upcharge when placing your order.

NOTE: Rinsers faucets not intended for use with towers mounted to a refrigerator due to risk of water line freeze up.

Rinsers faucet installation notes:

- Unit does not provide a 1" air gap.
- Must be installed with external backflow prevention to meet applicable federal, state, and local plumbing code requirements.
- Install in-line water pressure regulator (included).
- A separate shut-off valve is recommended (not included).

MODEL	DESCRIPTION	LIST
RFE	Rinsers faucet extension	\$762



Beverage Dispensing