



MIB-36



MIB-36-H



MIB-36-ED

30" HIGH MOBILE ICE BATHS

MODEL	LENGTH	LIST	WGT
MIB-36	36"	\$5,164	170#
MIB-48	48"	\$5,756	205#

36" HIGH MOBILE ICE BATHS

MODEL	LENGTH	LIST	WGT
MIB-36-H	36"	\$5,276	180#
MIB-48-H	48"	\$6,020	215#

36" HIGH EXTRA DEEP MOBILE ICE BATHS

MODEL	LENGTH	LIST	WGT
MIB-36-ED	36"	\$5,616	200#
MIB-48-ED	48"	\$6,269	235#

MOBILE ICE BIN ACCESSORIES

MODEL	DESCRIPTION	LIST	WGT
TR	Towel Ring	\$25	1#
BO/CC-M	Bottle opener and cap catcher	\$107	3#



TR

Standard mounting for towel rings is server side left. Standard mounting for bottle opener/cap catcher is server side right. Please specify when ordering if you would like these items mounted in a different location.

PRODUCT INFORMATION

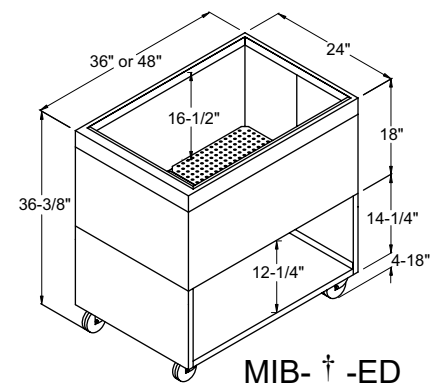
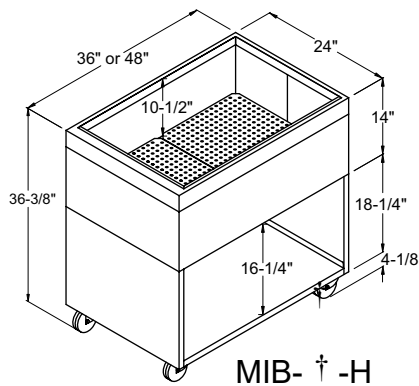
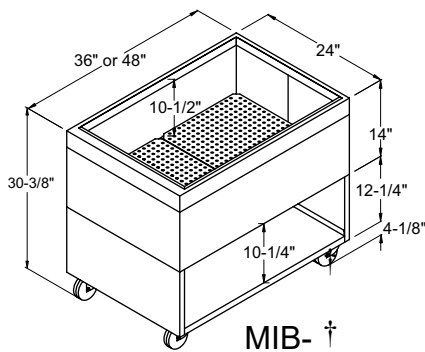
(see MIB Spec Sheet for complete details)

STANDARD FEATURES

- Designed for iced product storage and merchandising, especially long neck bottled beer
- Foamed-in-place insulated cabinet and PVC breaker strip around liner prevents exterior condensation
- Heavy duty construction with attractive black vinyl-clad exterior that resists scratching
- Stainless steel top, liner, and perforated drain pan inserts with 1/4" radius interior corners for easy cleaning
- Built-in storage area below ice bin. Stainless steel floor has 1/4" radius corners for easy cleaning.
- No plumbing required. Includes a flexible drain line with on/off valve for draining when most convenient.
- The standard models have a 30-3/8" work height
- The '-H' models feature a taller cabinet base and a 36-38" work height
- The '-ED' models feature an extra deep bath and a 36-3/8" work height
- Standard and -H models liner depth 10-1/2"
- -ED model liner depth 16-1/2"
- All models available in lengths of 36" or 48"
- Optional towel ring and bottle opener/cap catcher available
- Flexible drain line with on/off valve
- 4-1/8" rubberized casters, with two locking casters on server side

*NOTE: Mobile Ice Baths are manufactured to order and are not returnable

† 36 = 36", 48 = 48"



Kitchen Fabrication & Refrigeration