



IOS-18

The Glastender Island Oasis® Stand is designed for use with the model number SB-3X Island Oasis® machine. The 18" wide by 29" deep stand has a lowered draining work surface and extended front to allow the machine to be stored at a convenient and usable height. In most bar applications, the clear plastic ice container will be visible above the bar top.

**PRODUCT INFORMATION**

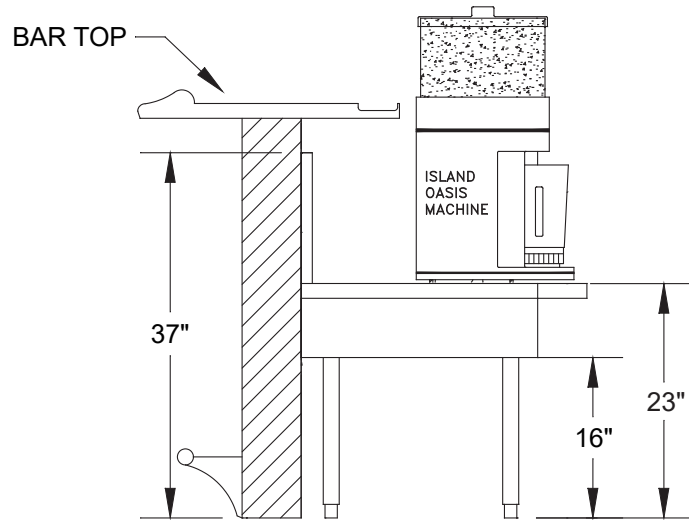
(see IOS Spec Sheet for complete details)

**STANDARD FEATURES**

- All stainless steel construction
- Adjustable stainless steel bullet feet
- Radius work surface corners for easy cleaning
- One-piece seamless top and backsplash
- 1" deep drain pan work surface to capture excess moisture
- Chamfered front to eliminate "knee knockers"

**ISLAND OASIS® STAND**

MODEL	LIST	LENGTH	WEIGHT
IOS-18	\$1,761	18"	50#



Installation Side Elevation

Bar Fabrication - Signature

Call for pricing

**Modular Beverage Stations**

**PRODUCT INFORMATION**

(see CAB-MBS Spec Sheet for complete details)

Modular beverage stations are configured and manufactured to your specific requirements. A complete lineup is designed by selecting from the top options and then specifying the module types and sizes to mount below the top. Stations ship complete in lengths up to 144".

**Top options include:** Depth - 24", 30", or 36" • Front overhang - 1/4", 1", or 2" • Nosing profile - flat, marine, or rounded • Backsplash - none, 5", or 10" • Endsplash - none, left, right, or both • Integrally welded drip trough • Electrical outlets in the backsplash

**Module options include:** Adjustable shelf • Drawer • Drop-in • Empty space • End wall • Fixed shelf • Glass rack • Open storage • Roll-out shelf • Sink • Urn stand



108" L by 30" D CAB-MBS  
Modules left to right: drop-in with solid apron, roll-out shelf, urn stand, and adjustable shelf with solid door