

E-CIW-15

E-COW-15

**PRODUCT INFORMATION**

(see E-CIW & E-COW Spec Sheets for complete details)

- All stainless steel
- Designed to mount between two adjacent pieces of Glastender underbar equipment (unless optional legs are used, see configurable options)
- Drain pan with separate perforated insert for better air circulation (5° and 10° E-CIW models excluded)
- 1/4" radius work surface corners for easy cleaning

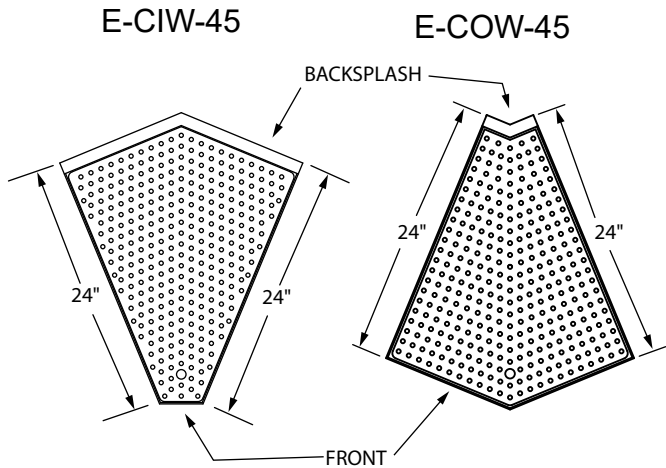
**CONFIGURABLE LEG SET OPTIONS**

APPLICABLE MODEL	DESCRIPTION	LIST
E-CIW	Leg set, one-side mounting (5° and 10° models excluded)	\$149
E-COW	Leg set, one-side mounting	\$149

**Does your Corner Drainboard need a leg set?**

Corner drainboards are designed to be attached between two pieces of underbar, or two stable vertical surfaces and do not include legs. If attached to equipment or surface on only one side, a leg set for one-side mounting is needed. Some models can also be converted to freestanding using the applicable leg set. See table for applicable models.

**Sample Corner Inside and Outside Wedge Drainboard Plan Views**



**ELEVATION CORNER WEDGE INSIDE TURN DRAINBOARDS**

MODEL	LIST	DEGREE	TURN	WEIGHT
E-CIW-75	\$2,471	75°	Inside	75#
E-CIW-60	\$2,092	60°	Inside	68#
E-CIW-45	\$1,821	45°	Inside	60#
E-CIW-30	\$1,582	30°	Inside	56#
E-CIW-25	\$1,518	25°	Inside	56#
E-CIW-20	\$1,458	20°	Inside	53#
E-CIW-15	\$1,398	15°	Inside	53#
E-CIW-10	\$836	10°	Inside	41#
E-CIW-5	\$813	5°	Inside	37#

**ELEVATION CORNER WEDGE OUTSIDE TURN DRAINBOARDS**

MODEL	LIST	DEGREE	TURN	WEIGHT
E-COW-75	\$2,741	75°	Outside	75#
E-COW-60	\$2,290	60°	Outside	68#
E-COW-45	\$1,916	45°	Outside	60#
E-COW-30	\$1,701	30°	Outside	56#
E-COW-15	\$1,489	15°	Outside	53#