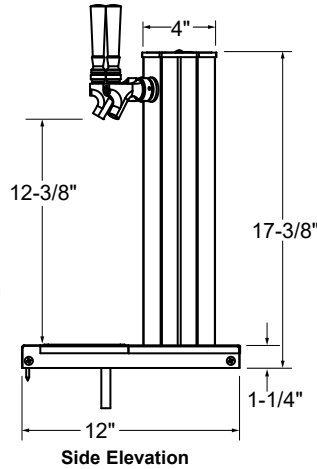




CT-3-SS
(handles not included)



PRODUCT INFORMATION

(see CT Spec Sheet for complete details)

STANDARD FEATURES

- All stainless steel construction
- Integrated surface mount drain pan with lift-out perforated inserts
- 1/4" shanks with 3/16" restriction lines
- Available in grainline finish, mirror finish, or brass finish
- Available with cold plate assembly and insulated restriction lines for glycol recirculating system (specify suffix 'R' in the model number)
- Available in 1, 2, and 3 faucet sizes
- All models include all stainless steel faucets and shanks to resist corrosion and prevent metallic leaching, making them ideal for both draft beer and wine applications
- Unique internal support system for solid mounting
- Base plate serves as template for hole cutting
- Mounting holes will be pre-drilled at the factory if the host cooler is ordered with a finished top and the tower location is specified

NOTE: To convert standard faucet to stout style faucet, specify accessory model number BT-CFG and add \$270 List per faucet.

COLUMN TOWERS WITH DRAIN PAN AND 7/2" RESTRICTION LINES

GRAINLINE FINISH		MIRROR FINISH		BRASS FINISH**		FAUCETS	WGT	WIDTH	SYSTEM TYPE
MODEL	LIST	MODEL	LIST	MODEL	LIST				
CT-1-SS	\$1,277	CT-1-MF*	\$1,374	CT-1-PB*	\$1,582	1	13#	14"	Air Cooled
CT-1-SSR*	\$1,691	CT-1-MFR*	\$1,778	CT-1-PBR*	\$1,965	1	21#	14"	Glycol
CT-2-SS	\$1,480	CT-2-MF*	\$1,578	CT-2-PB*	\$1,786	2	15#	14"	Air Cooled
CT-2-SSR*	\$1,912	CT-2-MFR*	\$1,999	CT-2-PBR*	\$2,186	2	23#	14"	Glycol
CT-3-SS	\$1,896	CT-3-MF*	\$1,994	CT-3-PB*	\$2,202	3	18#	14"	Air Cooled
CT-3-SSR*	\$2,133	CT-3-MFR*	\$2,221	CT-3-PBR*	\$2,407	3	26#	14"	Glycol

*NOTE: These Column Towers are manufactured to order and are not returnable

**NOTE: Brass finish towers provided with mirror finish drain pan and brass finish perforated insert



RINSER FAUCET EXTENSION

Column tower drain pans can be manufactured with rinser faucet extensions to the left or right of the drain pan. A rinser faucet extension will add 5" to the overall length of the drain pan. Add the RFE upcharge when placing your order.

NOTE: Rinser faucets not intended for use with towers mounted to a refrigerator due to risk of water line freeze up.

MODEL	DESCRIPTION	LIST
RFE	Rinser faucet extension	\$762

Rinser faucet installation notes:

- Unit does not provide a 1" air gap.
- Must be installed with external backflow prevention to meet applicable federal, state, and local plumbing code requirements.
- Install in-line water pressure regulator (included).
- A separate shut-off valve is recommended (not included).

Beverage Dispensing