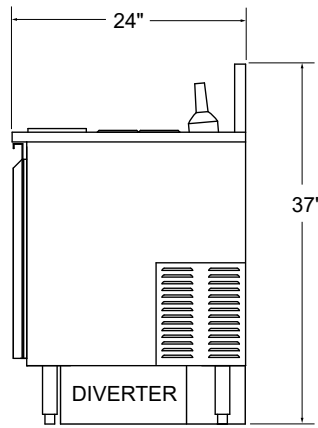


CPC24 - Patented.
 For more information visit:
<https://www.glastender.com/patents>



CPC24
 Bottles not included



Side Elevation



PRODUCT INFORMATION

(see CPC Spec Sheet for complete details)

STANDARD FEATURES:

- Self-contained
- Drink rail top with removable perforated insert
- Chilled garnish rail for 6 - 1/9 pans (4" deep)
- Bottle rail for 8 elixir bottles
- Removable cutting board
- Locking drawer
- Interior drawer with capacity for 6 - 1/9 pans (4" deep)
- 12 - 1/9 pans with lids included
- Insulated night cover
- 6" legs with adjustable stainless steel bullet feet
- Listed to NSF Standard 7 as a refrigerated food preparation unit
- Base mount airflow diverter

COCKTAIL PREP COOLER

LIST	LENGTH	WEIGHT	AMPS	HP
\$9,892	24"	186#	2.20	1/8

Elevation Cocktail Prep Cooler



Patented

E-CPC24
 Bottles not included



PRODUCT INFORMATION

(see E-CPC Spec Sheet for complete details)

- Self-contained
- Drink rail top with removable perforated insert
- Chilled garnish rail for six 1/9 pans (4" deep)
- Removable cutting board
- Locking drawer
- Interior drawer with capacity for six 1/9 pans (4" deep)
- 1/9 pans with lids included
- Insulated night cover
- Adjustable stainless steel bullet feet

ELEVATION COCKTAIL PREP COOLER

MODEL	LIST	LENGTH	WEIGHT
E-CPC24	\$10,423	24"	186#

Bar Refrigeration