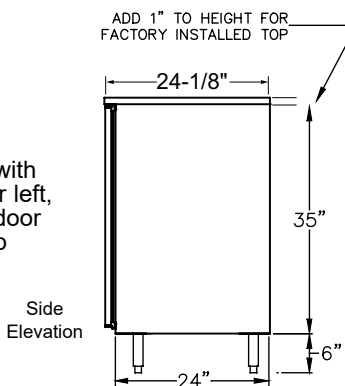




C1SB24 with compressor left, stainless door and top



PRODUCT INFORMATION

(see C1SB Spec Sheet for complete details)

STANDARD FEATURES:

- Self-contained
- All stainless steel interior construction
- Draft beverage compatible - see page 92
- Listed to NSF Standard 7 for open food as a storage refrigerator

COOLERS - ONE ZONE, SIDE SERVICED, BAR PROFILE

| MODEL | LIST | LENGTH | DOOR | | | WEIGHT | AMPS | HP | LONG NECK | 750ML WINE | 1/2 BARREL | 1/6 BARREL |
|---------|---------|--------|-------|---------|------|--------|------|------|-----------|------------|------------|------------|
| | | | DOORS | OPENING | | | | | CASES | BOTTLES** | KEGS | KEGS |
| C1SB20* | \$6,551 | 20" | 1 | 12" W | 185# | 2.75 | 1/8 | 3.3 | 52 | 0 | 2†♠ | |
| C1SB24 | \$6,357 | 24" | 1 | 17.5" W | 200# | 2.75 | 1/8 | 5.8 | 74 | 1 | 3♠ | |
| C1SB28* | \$6,676 | 28" | 1 | 20" W | 220# | 2.75 | 1/8 | 6.6 | 87 | 1 | 4†▲ | |
| C1SB36* | \$8,883 | 36" | 2 | 12" W | 255# | 2.75 | 1/8 | 8.9 | 111 | N/A | 5▲ | |
| C1SB44* | \$9,269 | 44" | 2 | 16" W | 280# | 2.75 | 1/8 | 12.0 | 150 | N/A | 7▲ | |
| C1SB48 | \$9,463 | 48" | 2 | 18" W | 300# | 2.75 | 1/8 | 13.2 | 177 | 2 | 8†▲ | |

Base price only. See next page for configurable options.

*NOTE: C1SB20, C1SB28, C1SB36, and C1SB44 coolers are manufactured to order and are not returnable.

** Wine bottle capacity is based on adjustable shelves. Drawers will hold fewer. NOTE: Coolers with drawers are not returnable.

† If CO₂ tank is stored internally, reduce capacity by one keg

♠ Requires one 05001026 low profile Sanke keg tap - see page 92

▲ Requires two 05001026 low profile Sanke keg taps - see page 92

Bar Refrigeration

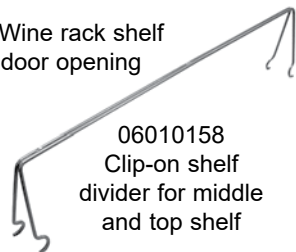


CO-RR

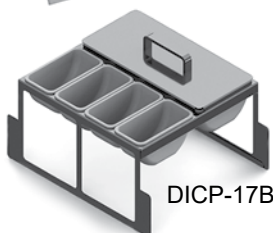
The CO-RR shelf retention rail should be used on all shelves adjacent to kegs. (CO-RR shown installed on shelf)



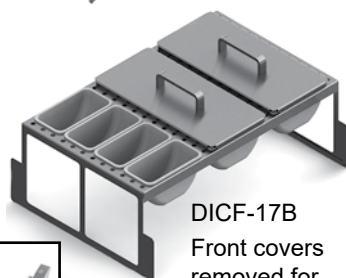
CWS-20 Wine rack shelf for 20" door opening



06010158 Clip-on shelf divider for middle and top shelf



DICF-17B



DICF-17B Front covers removed for illustrative purposes



DIP-18 Pans not included

ACCESSORIES

| MODEL | DESCRIPTION | LIST |
|----------|---|-------|
| CO-RR | Shelf retention rail | \$77 |
| CWS-12 | Wine rack shelf for 12" door opening, 3 bottle | \$156 |
| CWS-16 | Wine rack shelf for 16" door opening, 5 bottle | \$181 |
| CWS-17 | Wine rack shelf for 17.5" door opening, 5 bottle | \$194 |
| CWS-18 | Wine rack shelf for 18" door opening, 5 bottle | \$196 |
| CWS-20 | Wine rack shelf for 20" door opening, 7 bottle | \$205 |
| DICF-12B | Drawer insert, garnishes, full, 12" door opening, bar-profile cooler, 8 cups | \$485 |
| DICP-12B | Drawer insert, garnishes, partial, 12" door opening, bar-profile cooler, 6 cups | \$391 |
| DICF-16B | Drawer insert, garnishes, full, 16" door opening, bar-profile cooler, 12 cups | \$623 |
| DICP-16B | Drawer insert, garnishes, partial, 16" door opening, bar-profile cooler, 8 cups | \$470 |
| DICF-17B | Drawer insert, garnishes, full, 17.5" door opening, bar-profile cooler, 12 cups | \$626 |
| DICP-17B | Drawer insert, garnishes, partial, 17.5" door opening, bar-profile cooler, 8 cups | \$473 |
| DICF-18B | Drawer insert, garnishes, full, 18" door opening, bar-profile cooler, 12 cups | \$630 |
| DICP-18B | Drawer insert, garnishes, partial, 18" door opening, bar-profile cooler, 8 cups | \$475 |
| DICF-20B | Drawer insert, garnishes, full, 20" door opening, bar-profile cooler, 15 cups | \$734 |
| DICP-20B | Drawer insert, garnishes, partial, 20" door opening, bar-profile cooler, 10 cups | \$543 |
| DIP-17 | Drawer insert for fractional stainless pans, 17.5" door opening (pans not included) | \$258 |
| DIP-18 | Drawer insert for fractional stainless pans, 18" door opening (pans not included) | \$264 |
| DIP-20 | Drawer insert for fractional stainless pans, 20" door opening (pans not included) | \$287 |
| 06010158 | Clip-on shelf divider for middle and top shelf | \$48 |
| 06006013 | Clip-on shelf divider for bottom shelf only | \$48 |



Draft Beverage Compatible

Select Configurable Options:

VOLTAGE

| | |
|----------------------------|-----------|
| 120V/60HZ | No charge |
| 220V/50HZ (export voltage) | \$307 |

TEMPERATURE

| | |
|-----------------------------------|-----------|
| Beer / Food, 34° to 40°, standard | No charge |
| White wine, 50° to 55° | No charge |
| Red wine, 60° to 65° | No charge |

REFRIGERATION COMPARTMENT LOCATION

| | |
|-------|-----------|
| Left | No charge |
| Right | No charge |

REFRIGERATION COMPARTMENT COVER FINISH

| | |
|-------------------------|-----------|
| Black vinyl-clad | No charge |
| Stainless steel | \$39 |
| Jeweled stainless steel | \$232 |

DOOR/DRAWER OPTIONS

NOTE: Select options for EACH Door/Drawer Section

STYLE AND FINISH - PER SECTION

| | |
|---------------------------------|-----------|
| Door - Black vinyl-clad | No charge |
| Door - Unlaminated | No charge |
| Door - Stainless steel | \$48 |
| Door - Jeweled stainless | \$252 |
| Door - Laminated | \$288 |
| Door - Glass, black vinyl-clad | \$559 |
| Door - Glass, stainless steel | \$607 |
| Door - Glass, jeweled stainless | \$811 |
| Door - Glass, laminated | \$847 |
| Drawers* - Black vinyl-clad | \$2,314 |
| Drawers* - Unlaminated | \$2,314 |
| Drawers* - Stainless steel | \$2,362 |
| Drawers* - Jeweled stainless | \$2,566 |
| Drawers* - Laminated | \$2,602 |

*NOTE: Units with drawers are manufactured to order and are not returnable.

DOOR HINGE LOCATION - PER DOOR

| | |
|-------|-----------|
| Left | No charge |
| Right | No charge |

SHELVING - PER DOOR

| | |
|-----------------------------------|-----------|
| Three adjustable shelves | No charge |
| Keg rack (deduct shelves) | (\$99) |
| Pull-out wine shelves: | |
| • w/upright & horizontal storage* | \$2,559 |
| • w/upright storage* | \$1,708 |
| • w/horizontal storage* | \$3,199 |

*NOTE: Not available for 12" door opening models

DOOR HANDLE - PER DOOR/DRAWER

| | |
|--|-----------|
| Signature handle (doors only) | No charge |
| Pull-tab handle - stainless or black to match door; black for laminate | No charge |
| Tube handle | No charge |

NOTE: All coolers with drawers are manufactured to order and are not returnable.

*NOTE: C1SB20, C1SB28, C1SB36, and C1SB44 coolers are manufactured to order and are not returnable.

TOP STYLE

| | | | | | | |
|-----------------|-----------|-------|-------|-------|-------|-------|
| | 20" | 24" | 28" | 36" | 44" | 48" |
| No finished top | No charge | | | | | |
| Stainless top | \$412 | \$440 | \$465 | \$519 | \$575 | \$601 |

LEFT SIDE FINISH

| | |
|------------------|-----------|
| Black vinyl-clad | No charge |
| Stainless Steel | \$48 |

RIGHT SIDE FINISH

| | |
|------------------|-----------|
| Black vinyl-clad | No charge |
| Stainless Steel | \$48 |

BACK FINISH

| | | | | | | |
|------------------|-----------|-------|-------|-------|-------|-------|
| | 20" | 24" | 28" | 36" | 44" | 48" |
| Galvanized steel | No charge | | | | | |
| Stainless steel* | \$351 | \$365 | \$377 | \$404 | \$431 | \$446 |

*NOTE: Stainless steel back option also includes stainless steel sides.

LED LIGHTING STYLE

| | |
|---------------------------------|-----------|
| Bright white (7,000k), standard | No charge |
| Warm white (3,500k) | No charge |
| Amber (2,700k) | No charge |
| Blue | No charge |

LEG AND STAINLESS STEEL KICK RAILS

NOTE: Legs are required if kick rails are ordered.

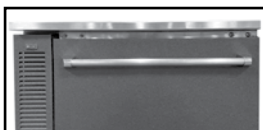
| | | | | | | |
|----------------------|-------|-------|-------|-------|-------|-------|
| | 20" | 24" | 28" | 36" | 44" | 48" |
| 6" legs | \$204 | \$204 | \$204 | \$204 | \$204 | \$204 |
| Front kick rail | \$123 | \$127 | \$133 | \$142 | \$153 | \$158 |
| Left side kick rail | \$127 | \$127 | \$127 | \$127 | \$127 | \$127 |
| Right side kick rail | \$127 | \$127 | \$127 | \$127 | \$127 | \$127 |

CASTERS

| | | | | | |
|----------------|-------|-------|-------|-------|-------|
| | 24" | 28" | 36" | 44" | 48" |
| 4-1/8" casters | \$182 | \$182 | \$182 | \$182 | \$182 |
| 2-7/8" casters | \$176 | \$176 | \$176 | \$176 | \$176 |
| 1-1/2" casters | \$310 | \$310 | \$310 | \$310 | \$310 |



Drawer pull-tab handle



Drawer tube handle



Signature handle



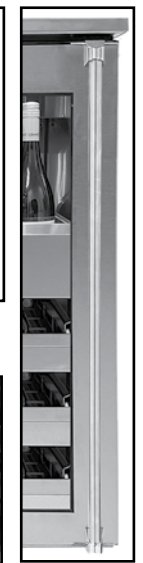
Pull-tab handle



Optional drawers include adjustable divider walls



Optional pull-out wine shelves Horizontal (left) and upright (right) storage shown



Tube handle

Bar Refrigeration



Configuring Bar Profile Coolers for Draft Beverage Dispensing

All Glastender bar profile coolers can be configured for draft beverage dispensing. Please note that a minimum 17" wide door opening is required for full size (i.e., 16" diameter) 1/2 barrel kegs. Refer to the capacity statements in the Product Directory or Specification Sheet for the sizes and quantities of kegs each unit will hold.

Direct Draw Draft Beverage Towers

Glastender Beverage Towers include the stainless steel faucets and shanks necessary to dispense keg beer, wine, soda, coffee, or cocktails. See individual price pages for complete information.

Tee Tower shown
See pages 135 - 154 for
complete information

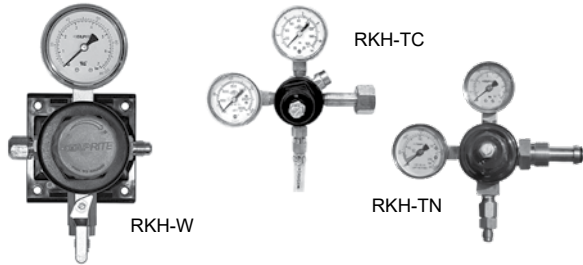
Look for the Draft Beer
Compatible logo



HIGH PRESSURE REGULATOR KITS

High pressure regulators reduce the gas pressure from the primary source. A tank mount regulator attaches directly to a gas cylinder, while a wall mount regulator splices into gas tubing when the gas supply is used for more than one system. RKH-TN regulator kits are used if pre-blended CO₂ and nitrogen or pure nitrogen cylinders are being used. All high pressure regulator kits include 50 feet of braided nylon gas tubing.

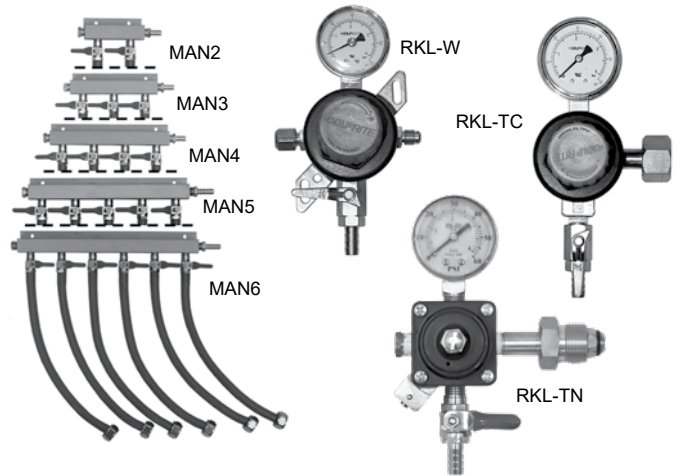
| MODEL | DESCRIPTION | LIST | WGT |
|--------|---|-------|-----|
| RKH-W | Wall mount, CO ₂ or Nitrogen, single gauge | \$371 | 15# |
| RKH-TC | Tank mount, CO ₂ , double gauge | \$318 | 15# |
| RKH-TN | Tank mount, Nitrogen, double gauge | \$430 | 15# |



LOW PRESSURE REGULATOR KITS

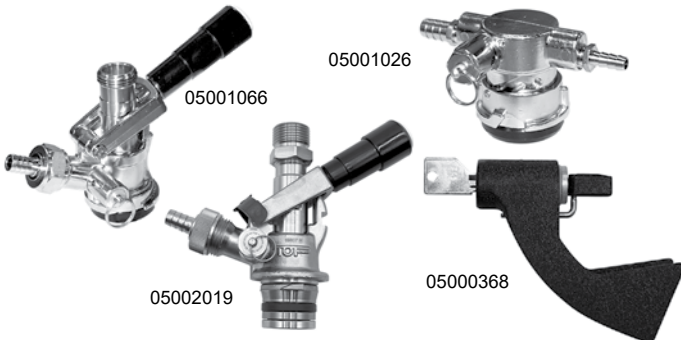
Low pressure regulator kits connect to the gas tubing exiting a high pressure regulator. If a 5 pound gas cylinder will be kept inside the cooler, a single gauge tank mounted RKL-TC or -TN will be required depending on the gas being used. All low pressure regulator kits include 6 feet of red gas tubing. For installations requiring more than one keg on tap, also order the appropriate size manifold kit. All manifold kits include 6 feet of red gas tubing per product, and the clamps required for connecting to keg couplers (sold separately).

| MODEL | DESCRIPTION | LIST | WGT |
|--------|---|-------|-----|
| RKL-W | Wall mount, CO ₂ or Nitrogen, single gauge | \$337 | 7# |
| RKL-TC | Tank mount, CO ₂ , single gauge | \$283 | 7# |
| RKL-TN | Tank mount, Nitrogen, single gauge | \$375 | 7# |
| MAN2 | Two product manifold kit | \$201 | 2# |
| MAN3 | Three product manifold kit | \$255 | 3# |
| MAN4 | Four product manifold kit | \$317 | 4# |
| MAN5 | Five product manifold kit | \$432 | 5# |
| MAN6 | Six product manifold kit | \$513 | 6# |



ADDITIONAL ACCESSORIES

| MODEL | DESCRIPTION | LIST | WGT |
|----------|--|----------|-----|
| 03004240 | 1/2" ID black drain line, per foot | \$3.00 | N/A |
| 05000400 | 5/16" ID red vinyl air line, per foot | \$2.60 | N/A |
| 05000386 | 1/4" ID nylon braided gas tubing, per foot | \$1.35 | N/A |
| 05001066 | D system keg coupler w/ss probe | \$123.00 | 2# |
| 05001026 | D system keg coupler, low profile | \$461.00 | 2# |
| 05003763 | S system keg coupler w/ss probe, for select imports | \$123.00 | 2# |
| 05002019 | U System Keg Coupler, stainless probe, for Guinness & Harp | \$361.00 | 2# |
| 05000368 | Lock for beer faucet | \$143.00 | 2# |
| 05000636 | 5# CO ₂ tank (unfilled) | \$471.00 | 15# |
| LCK | Line cleaning kit | \$278.00 | 3# |
| 06007084 | Drain bottle | \$57.00 | 2# |



Tower Cooling Kits

Direct draw beverage towers are chilled by air from inside the host cooler. This is especially important for draft beer, as warm faucets cause the beer to foam.

TOWER COOLING KITS

| MODEL | DESCRIPTION | LIST | WGT |
|---------|---|-------|-----|
| TCK12-1 | For 1 & 2-door coolers w/ one tower column | \$268 | 3# |
| TCK12-2 | For 1 & 2-door coolers w/ two tower columns | \$535 | 6# |
| TCK34-1 | For 3 & 4-door coolers w/ one tower column | \$456 | 8# |
| TCK34-2 | For 3 & 4-door coolers w/ two tower columns | \$586 | 11# |
| TCKR-1 | For remote coolers w/ one tower column | \$268 | 3# |
| TCKR-2 | For remote coolers w/ two tower columns | \$535 | 6# |

Bar Refrigeration