

## PRODUCT INFORMATION

(see C-IOS Spec Sheet for complete details)

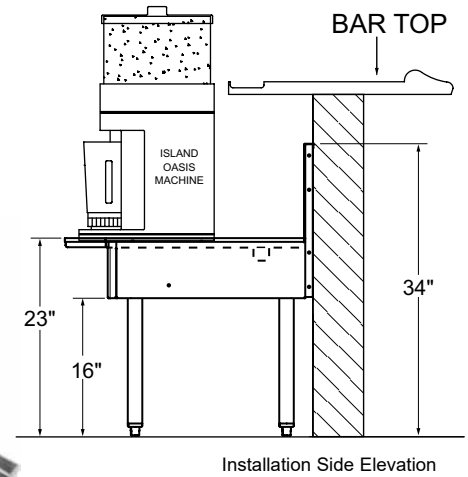
The Choice Island Oasis® Stand is designed for use with the model number SB-3X Island Oasis® machine. The 18" wide by 29" deep stand has a lowered draining work surface and extended front to allow the machine to be stored at a convenient and usable height. In most bar applications, the clear plastic ice container will be visible above the bar top.

### STANDARD FEATURES

- All stainless steel construction
- Adjustable stainless steel bullet feet
- 1" deep drain pan work surface to capture excess moisture
- One-piece seamless top and backsplash featuring 1/4" radius corners for easy cleaning
- Lowered work surface with extended front
- Designed to keep the majority of the Island Oasis® (model #SB-3X) below the bar top with only the clear plastic ice tub visible above the bar top
- Chamfered front to eliminate "knee knockers"



C-IOS-18



Installation Side Elevation

\*NOTE: Choice Island Oasis Stands are manufactured to order and are not returnable

### ISLAND OASIS® STAND

MODEL	LIST	LENGTH	WEIGHT
C-IOS-18	\$1,606	18"	50#

Bar Fabrication - Choice

# Choice Beer Drainers\*

Pricing effective January 1, 2026

## PRODUCT INFORMATION

(see C-BD Spec Sheet for complete details)

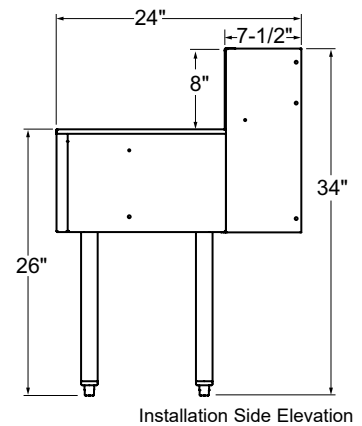
Beer Drainers have a 26" high, lowered work surface and are designed specifically for use with undercounter mounting beverage dispensers. The work surface includes a drain pan with perforated insert to serve as the drip pan for the dispenser and the backsplash is pulled forward 5" to provide access for beverage lines.

### 24" DEEP BEER DRAINERS

MODEL	LIST	LENGTH	WEIGHT
C-BD-18	\$1,211	18"	55#
C-BD-24	\$1,349	24"	60#
C-BD-30	\$1,487	30"	65#
C-BD-36	\$1,625	36"	70#



C-BD-18



Installation Side Elevation

\*NOTE: Beer drainers are manufactured to order and are not returnable

### STANDARD FEATURES

- All stainless steel construction
- Designed with lowered work surface to work in conjunction with undercounter mounting beverage dispensers
- Adjustable stainless steel bullet feet
- Backsplash pulled forward 5" to create large chaseway for beverage line access
- Front drain pan with lift-out stainless steel perforated insert