

### 19" DEEP ICE BINS\*

MODEL	LIST	LTH	WGT	ICE CAPACITY
C-IBA-6†	\$1,322	6"	40#	17#
C-IBA-12	\$1,785	12"	50#	33#
C-IBA-18	\$1,973	18"	60#	50#
C-IBA-24	\$2,149	24"	70#	67#
C-IBA-30	\$2,343	30"	80#	84#
C-IBA-36	\$2,526	36"	90#	100#
C-IBA-42	\$2,717	42"	100#	117#
C-IBA-48	\$2,901	48"	110#	134#

### WITH 10-CIRCUIT COLD PLATE

C-IBA-24-CP10	\$4,043	24"	130#	67#
C-IBA-30-CP10	\$4,298	30"	145#	84#
C-IBA-36-CP10	\$4,624	36"	160#	100#
C-IBA-42-CP10	\$5,200	42"	170#	117#
C-IBA-48-CP10	\$5,399	48"	180#	134#

† Note: 6" unit cannot be freestanding

### 24" DEEP ICE BINS\*

MODEL	LIST	LTH	WGT	ICE CAPACITY
C-IBB-6†	\$1,412	6"	45#	21#
C-IBB-12	\$1,918	12"	55#	42#
C-IBB-18	\$2,119	18"	70#	64#
C-IBB-24	\$2,314	24"	80#	85#
C-IBB-30	\$2,525	30"	95#	106#
C-IBB-36	\$2,720	36"	110#	127#
C-IBB-42	\$2,922	42"	120#	149#
C-IBB-48	\$3,119	48"	130#	170#

### WITH 10-CIRCUIT COLD PLATE\*

C-IBB-24-CP10	\$4,180	24"	145#	85#
C-IBB-30-CP10	\$4,961	30"	160#	106#
C-IBB-36-CP10	\$5,178	36"	170#	127#
C-IBB-42-CP10	\$5,398	42"	185#	149#
C-IBB-48-CP10	\$5,560	48"	195#	170#

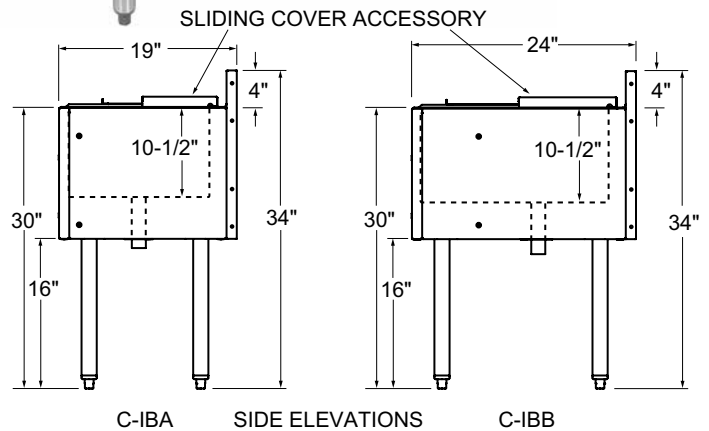
† Note: 6" unit cannot be freestanding

### What is a cold plate?

Choice ice bins 24" wide and larger are available with a 10-circuit cold plate built into the bottom liner. A cold plate is an aluminum block with ten stainless steel lines or circuits molded within. Soda lines are attached by the soda vendor to the input and output lines of the cold plate and the soda water and syrup are chilled as they pass through the lines. A cold plate is recommended for ice bins used to make cocktails.



C-IBA-36-CP10



### PRODUCT INFORMATION

(see C-IB and C-IB-ED Spec Sheets for complete details)

### STANDARD FEATURES

- All stainless steel construction
- PVC plastic breaker strip around ice bin liner acts as a thermal barrier to prevent heat transfer
- 24" deep version provides larger ice bin not just a deck extension on the back of the 19" deep model
- Extra deep ice bins have 14-1/2" deep liner for extra ice capacity
- Adjustable stainless steel bullet feet
- Backsplash is an open channel to provide access for beverage lines

NOTE: Ice bins intended to store potable ice must be ordered with an ice bin cover to maintain the sanitation listing

\*NOTE: These ice bin models are manufactured to order and are not returnable



Bottle rack accessory (one BR4 and one BR3 shown)

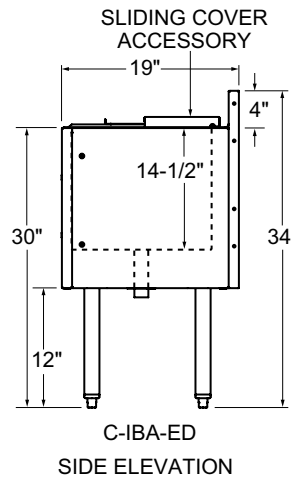
Bottle well accessory (two BW3 shown)

## 19" EXTRA DEEP ICE BINS\*

MODEL	LIST	LTH	WGT	ICE CAPACITY
C-IBA-18-ED	\$2,198	18"	75#	69#
C-IBA-24-ED	\$2,416	24"	80#	92#
C-IBA-30-ED	\$2,633	30"	90#	116#
C-IBA-36-ED	\$2,850	36"	100#	139#
C-IBA-42-ED	\$3,067	42"	110#	162#
C-IBA-48-ED	\$3,288	48"	125#	185#

## EXTRA DEEP WITH 10-CIRCUIT COLD PLATE\*

C-IBA-24-CP10-ED	\$4,481	24"	140#	92#
C-IBA-30-CP10-ED	\$4,777	30"	155#	116#
C-IBA-36-CP10-ED	\$5,209	36"	170#	139#
C-IBA-42-CP10-ED	\$5,788	42"	180#	162#
C-IBA-48-CP10-ED	\$6,029	48"	190#	185#



NOTE: Ice bins intended to store potable ice must be ordered with an ice bin cover to maintain the sanitation listing

\*NOTE: These ice bin models are manufactured to order and are not returnable

## ICE BIN ACCESSORIES

### SINGLE SPEED RAILS

MODEL	DESCRIPTION	LIST	WGT
C-SR-12	12" single speed rail	\$207	5#
C-SR-18	18" single speed rail	\$229	6#
C-SR-24	24" single speed rail	\$251	7#
C-SR-30	30" single speed rail	\$273	9#
C-SR-36	36" single speed rail	\$296	10#
C-SR-42	42" single speed rail	\$318	12#
C-SR-48	48" single speed rail	\$340	13#

### DOUBLE SPEED RAILS

MODEL	DESCRIPTION	LIST	WGT
C-DR-12	12" double speed rail	\$416	9#
C-DR-18	18" double speed rail	\$456	11#
C-DR-24	24" double speed rail	\$496	14#
C-DR-30	30" double speed rail	\$536	16#
C-DR-36	36" double speed rail	\$577	18#
C-DR-42	42" double speed rail	\$617	21#
C-DR-48	48" double speed rail	\$657	24#

**GARNISH DISPENSER** Stainless steel garnish dispenser with hinged plexi-glass lid and six 16 oz. plastic cups.

CCD	Garnish dispenser	\$243	5#
-----	-------------------	-------	----

### ACCESSORIES FOR 19" DEEP (A) ICE BINS

**ICE BIN COVERS** Two-piece sliding stainless steel. Ice bins intended to store potable ice must be ordered with an ice bin cover to maintain the sanitation listing. If bottle wells are ordered, deduct 6" from cover length for one bottle well and 12" for two bottle wells.

MODEL	DESCRIPTION	LIST	WGT	MODEL	DESCRIPTION	LIST	WGT
IBCA-12	12"w ice bin cover - 19"d (A) ice bin	\$133	4#	IBCB-12	12"w ice bin cover - 24"d (B) ice bin	\$146	5#
IBCA-18	18"w ice bin cover - 19"d (A) ice bin	\$161	5#	IBCB-18	18"w ice bin cover - 24"d (B) ice bin	\$182	6#
IBCA-24	24"w ice bin cover - 19"d (A) ice bin	\$191	7#	IBCB-24	24"w ice bin cover - 24"d (B) ice bin	\$217	8#
IBCA-30	30"w ice bin cover - 19"d (A) ice bin	\$220	8#	IBCB-30	30"w ice bin cover - 24"d (B) ice bin	\$253	10#
IBCA-36	36"w ice bin cover - 19"d (A) ice bin	\$262	9#	IBCB-36	36"w ice bin cover - 24"d (B) ice bin	\$304	11#
IBCA-42	42"w ice bin cover - 19"d (A) ice bin	\$294	10#	IBCB-42	42"w ice bin cover - 24"d (B) ice bin	\$342	13#
IBCA-48	48"w ice bin cover - 19"d (A) ice bin	\$324	12#	IBCB-48	48"w ice bin cover - 24"d (B) ice bin	\$381	15#

**BOTTLE WELLS** For use with potable ice. May be positioned left or right inside cocktail ice bin. If two are ordered, they are positioned one at each side

BW3	3 bottle well for 19"d (A) ice bin	\$81	4#	BW4	4 bottle rack for 24"d (B) ice bin	\$148	5#
-----	------------------------------------	------	----	-----	------------------------------------	-------	----

**BOTTLE RACKS** For use with non-potable ice in bottle storage ice bin. Only fit in 12" long and larger ice bins. One rack may be ordered for each 6" of ice bin length. Not for use with sliding cover.

BR3	Bottle rack for 19"d (A) ice bin	\$77	3#	BR4	4 bottle rack for 24"d (B) ice bin	\$94	4#
-----	----------------------------------	------	----	-----	------------------------------------	------	----

**ICE BIN DIVIDERS** Stainless steel panel placed inside the ice bin front-to-back to separate different types of ice.

IBD-H-A	Ice bin divider for 19"d (A) ice bin	\$119	4#	IBD-H-B	Ice bin divider for 24"d (B) ice bin	\$152	4#
IBD-H-A-ED	Ice Bin divider for 19"d (A) extra deep ice bin	\$139	4#				

Bar Fabrication - Choice