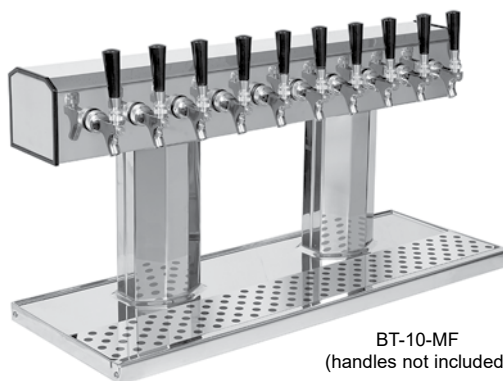
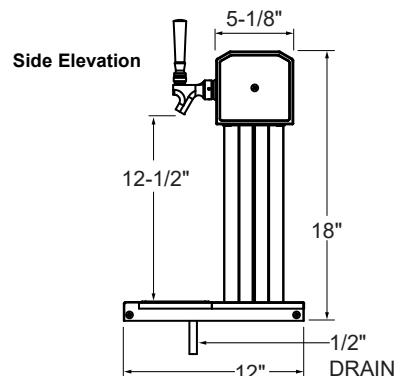




BT-4-SS
(handles not included)



BT-10-MF
(handles not included)



NOTE: To convert standard faucet to stout style faucet, specify accessory model number BT-CFG and add \$270 List per faucet.

TEE TOWERS WITH DRAIN PAN 72" RESTRICTION LINES

GRAINLINE FINISH		MIRROR FINISH		BRASS FINISH**		COLUMNS	FAUCETS	WGT	WIDTH	SYSTEMTYPE
MODEL	LIST	MODEL	LIST	MODEL	LIST					
BT-4-SS	\$2,362	BT-4-MF*	\$2,503	BT-4-PB*	\$2,840	1	4	23#	14"	Air Cooled
BT-4-SSR*	\$2,480	BT-4-MFR*	\$2,579	BT-4-PBR*	\$2,909	1	4	31#	14"	Glycol
BT-5-SS	\$2,600	BT-5-MF*	\$2,729	BT-5-PB*	\$3,145	1	5	27#	17"	Air Cooled
BT-5-SSR*	\$2,722	BT-5-MFR*	\$2,837	BT-5-PBR*	\$3,210	1	5	36#	17"	Glycol
BT-6-SS	\$2,835	BT-6-MF*	\$2,983	BT-6-PB*	\$3,443	1	6	31#	20"	Air Cooled
BT-6-SSR*	\$3,006	BT-6-MFR*	\$3,138	BT-6-PBR*	\$3,552	1	6	41#	20"	Glycol
BT-8-SS*	\$4,069	BT-8-MF*	\$4,262	BT-8-PB*	\$4,732	2	8	39#	26"	Air Cooled
BT-8-SSR*	\$4,136	BT-8-MFR*	\$4,309	BT-8-PBR*	\$4,912	2	8	51#	26"	Glycol
BT-10-SS*	\$4,528	BT-10-MF*	\$4,753	BT-10-PB*	\$5,531	2	10	57#	32"	Air Cooled
BT-10-SSR*	\$4,625	BT-10-MFR*	\$4,837	BT-10-PBR*	\$5,523	2	10	71#	32"	Glycol
BT-12-SS*	\$5,105	BT-12-MF*	\$5,376	BT-12-PB*	\$6,234	2	12	65#	38"	Air Cooled
BT-12-SSR*	\$5,213	BT-12-MFR*	\$5,455	BT-12-PBR*	\$6,224	2	12	81#	38"	Glycol

*NOTE: These Tee Towers are manufactured to order and are not returnable

**NOTE: Brass finish towers provided with mirror finish drain pan and brass finish perforated insert

PRODUCT INFORMATION (see BT Spec Sheet for complete details)

STANDARD FEATURES

- All stainless steel construction
- Integrated surface mount drain pan with lift-out perforated inserts
- 1/4" shanks with 3/16" restriction lines
- Available in grainline finish, mirror finish, or brass finish
- Available with cold plate assembly and insulated restriction lines for glycol recirculating system (specify suffix 'R' in the model number)
- Available in 4, 5, 6, 8, 10, and 12 faucet sizes
- All models include all stainless steel faucets and shanks to resist corrosion and prevent metallic leaching, making them ideal for both draft beer and wine applications
- Unique internal support system for solid mounting
- Base plate serves as template for hole cutting
- Mounting holes will be pre-drilled at the factory if the host cooler is ordered with a finished top and the tower location is specified

RINSER FAUCET EXTENSION

Tee tower drain pans can be manufactured with rinser faucet extensions to the left or right of the drain pan. A rinser faucet extension will add 5" to the overall length of the drain pan. Add the REF upcharge when placing your order.

NOTE: Rinsers are not intended for use with towers mounted to a refrigerator due to risk of water line freeze up.

MODEL	DESCRIPTION	LIST
RFE	Rinsers faucet extension	\$762

Rinsers faucet installation notes:

- Unit does not provide a 1" air gap.
- Must be installed with external backflow prevention to meet applicable federal, state, and local plumbing code requirements.
- Install in-line water pressure regulator (included).
- A separate shut-off valve is recommended (not included).



Beverage Dispensing