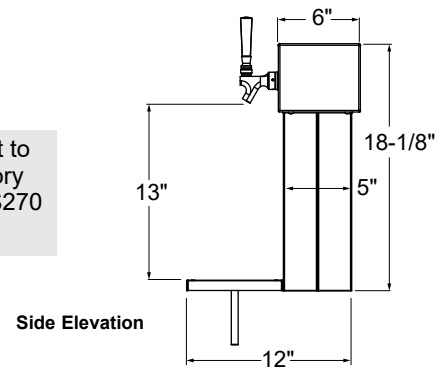


NOTE: To convert standard faucet to stout style faucet, specify accessory model number BT-CFG and add \$270 List per faucet.



## BRIDGE TOWERS WITH DRAIN PAN AND 72" RESTRICTION LINES

GRAINLINE FINISH		MIRROR FINISH		BRASS FINISH**		COLUMNS	FAUCETS	WGT	WIDTH	SYSTEM TYPE
MODEL	LIST	MODEL	LIST	MODEL	LIST					
BRT-14-SS	\$5,865	BRT-14-MF	\$6,442	BRT-14-PB	\$7,573	2	14	70#	44"	Air Cooled †
BRT-14-SSR	\$7,388	BRT-14-MFR	\$7,905	BRT-14-PBR	\$8,918	2	14	84#	44"	Glycol
BRT-16-SS	\$6,566	BRT-16-MF	\$7,017	BRT-16-PB	\$8,249	2	16	77#	50"	Air Cooled †
BRT-16-SSR	\$8,097	BRT-16-MFR	\$8,656	BRT-16-PBR	\$9,761	2	16	93#	50"	Glycol
BRT-18-SS	\$6,944	BRT-18-MF	\$7,611	BRT-18-PB	\$8,946	2	18	77#	27"	Air Cooled †
BRT-18-SSR	\$8,791	BRT-18-MFR	\$9,389	BRT-18-PBR	\$10,584	2	18	103#	27"	Glycol
BRT-20-SSR	\$9,489	BRT-20-MFR	\$10,128	BRT-20-PBR	\$11,418	2	20	112#	62"	Glycol
BRT-24-SSR	\$11,997	BRT-24-MFR	\$12,824	BRT-24-PBR	\$14,448	3	24	140#	74"	Glycol
BRT-30-SSR	\$14,097	BRT-30-MFR	\$15,044	BRT-30-PBR	\$16,946	3	30	168#	92"	Glycol

### PRODUCT INFORMATION (see BRT Spec Sheet for complete details)

#### STANDARD FEATURES

- All stainless steel construction
- Includes surface mount drain pan with lift-out perforated inserts
- 1/4" shanks with 3/16" restriction lines
- Available in grainline finish, mirror finish, or brass finish
- Available with cold plate assembly and insulated restriction lines for glycol recirculating system (specify suffix 'R' in the model number)
- Available in 14, 16, 18, 20, 24, and 30 faucet sizes
- Direct-draw air-cooled option available for 14, 16, and 18 faucet sizes†
- All models include all stainless steel faucets and shanks to resist corrosion and prevent metallic leaching, making them ideal for both draft beer and wine applications
- Mounting holes will be pre-drilled at the factory if the host cooler is ordered with a finished top and the tower location is specified

\*NOTE: Bridge Towers are manufactured to order and are not returnable.

\*\*NOTE: Brass finish towers provided with mirror finish drain pan and brass finish perforated insert.

†NOTE: Product is not intended for remote air-cooled installations

## RINSER FAUCET EXTENSION

Bridge tower drain pans can be manufactured with rinser faucet extensions to the left or right of the drain pan. A rinser faucet extension will add 5" to the overall length of the drain pan. Add the RFE upcharge when placing your order.

NOTE: Rinsers faucets not intended for use with towers mounted to a refrigerator due to risk of water line freeze up.

#### Rinsers faucet installation notes:

- Unit does not provide a 1" air gap.
- Must be installed with external backflow prevention to meet applicable federal, state, and local plumbing code requirements.
- Install in-line water pressure regulator (included).
- A separate shut-off valve is recommended (not included).

MODEL	DESCRIPTION	LIST
RFE	Rinsers faucet extension	\$762

