

Glastender.

A Family Company
Manufacturing in the USA



Expect more
more flexibility
more features

Underbar

Unrivaled Underbar Features

Innovative "C" channel backsplash supports provide incredible strength and rigidity.



Open-back design allows easy access for plumbing and electrical installation.

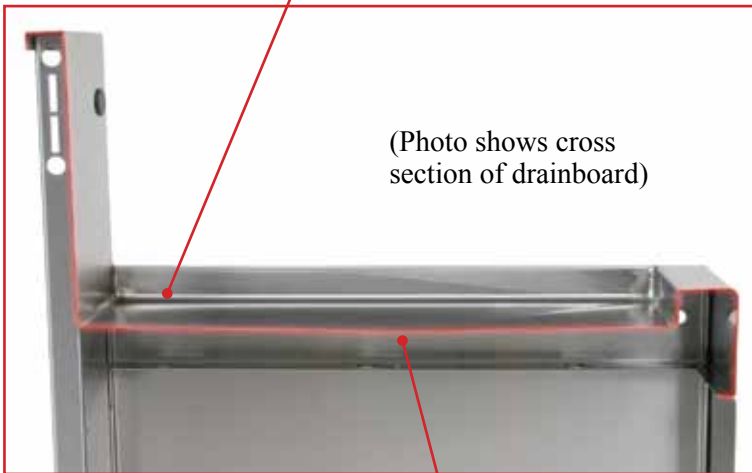
One-piece integrated side and leg channel increases structural integrity.

Leg tubes are set into recessed, stamped sockets for added rigidity.

Welded construction makes self-tapping sheet metal screws obsolete.

Radius work surface corners for easy cleaning.

(Photo shows cross section of drainboard)



One-piece backsplash, work surface, and front rail eliminates silicone sealant providing a clean, easy to maintain workspace.



Built-in camlocks eliminate the need for rear access when attaching or removing adjacent units.



Interlocking, hemmed edge construction creates multiple layers of stainless steel for added strength at the corners.



Pre-aligned mounting holes and bolts ensure a secure and exact fit when mounting adjoining units.

Stainless steel construction throughout, including the bullet feet, ensure longevity.

Sophisticated support system provides unbelievable strength.



Combo Ice Bins



Standard two-piece stainless steel sliding cover meets health code requirements.

Longest front skirt in the industry keeps liquor bottles below the work surface level for unimpeded work flow.



24" deep unit provides larger ice bin, not just a deck extension on a 19" deep unit.

PVC breaker strip around top of ice bin liner acts as a thermal barrier to minimize condensation and maximize ice life.

Deepest bottle wells in the industry prevent front bottles from interfering with rear bottle removal, even when installed under a bar top.



Radius interior corners for easy cleaning.

(Photo shows cross section of ice bin)

Integrated design allows for complete foamed-in-place insulation to maximize ice life.

Separate ice bin and bottle well compartments are combined into a single unit to minimize seams for an easy-to-clean work surface.

Cold plate is in direct contact with the ice for maximum thermal transfer and colder soda output.

Blender Stations



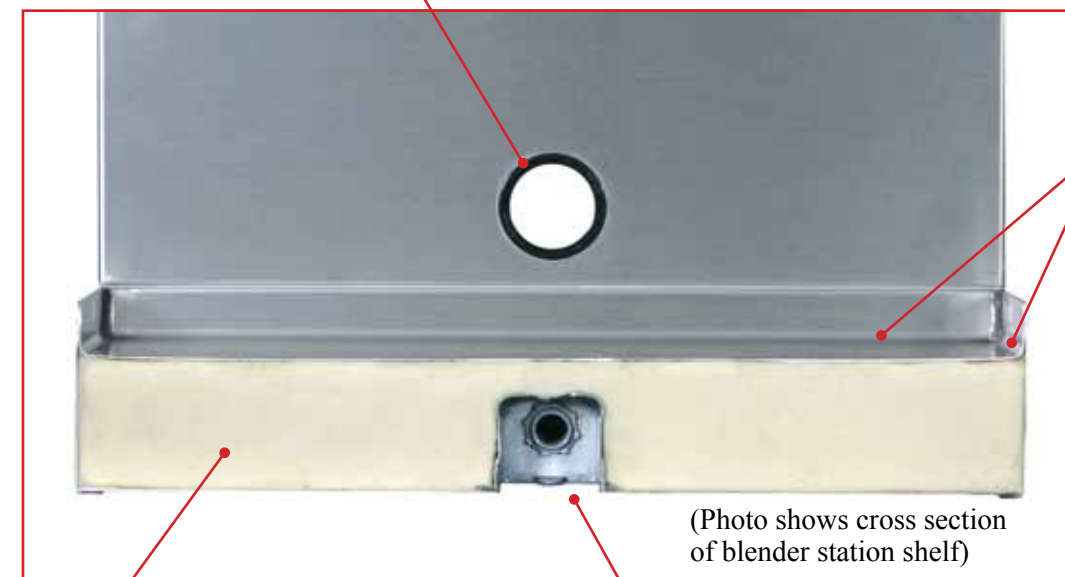
Available in drainboard work surface models.

Standard wet waste strainer specifically designed for the sink bowl prevents drain clogging.



Integral blender shelf design provides better structural integrity than bolt-on design.

Grommets provide convenient and safe way to position power cords.



Radius corners on all sides of the blender shelf for easy cleaning.

(Photo shows cross section of blender station shelf)

Foamed-in-place blender shelf for extra strength and sound deadening.

Built-in junction box to accept duplex outlet (not included) for easy access to power source.

Drainboards



Separate perforated insert offers level storage area to minimize glass tipping.



Removable perforated insert hides drain fitting and provides maximum amount of glass storage.

24" deep models do not follow the industry norm of adding a flat work surface extension, but provide a deeper drainboard for increased draining storage.



Glastender Design

Common Industry Design



(Photo shows cross section of drainboard)

Elevated perforated insert creates a large air gap for better air circulation.

Drainboard Cabinets



Also available in half-cabinet models.

Drainboard work surface offers the same great features as our standard drainboard units.



Integrated door handle for longer life and a custom appearance.

Standard door lock and magnetic catch provide secure storage.



Standard adjustable shelf provides flexible storage.

Exclusive drain design allows the floor and shelf to be removed after the unit is plumbed for easy cleaning.

Dual-wall construction for a finished, easy-to-clean interior.

Removable floor and shelf feature radius corners for easy cleaning.

Liquor Displays



Extra-wide rear step for specialty liquor bottle storage.

Standard retaining rails prevent bottles from tipping.

Four side profiles available to match adjacent equipment and enhance work flow.

Also available in 29" deep models offering an additional row of storage.



Clear rail covers prevent accidental removal of liquor identification labels.

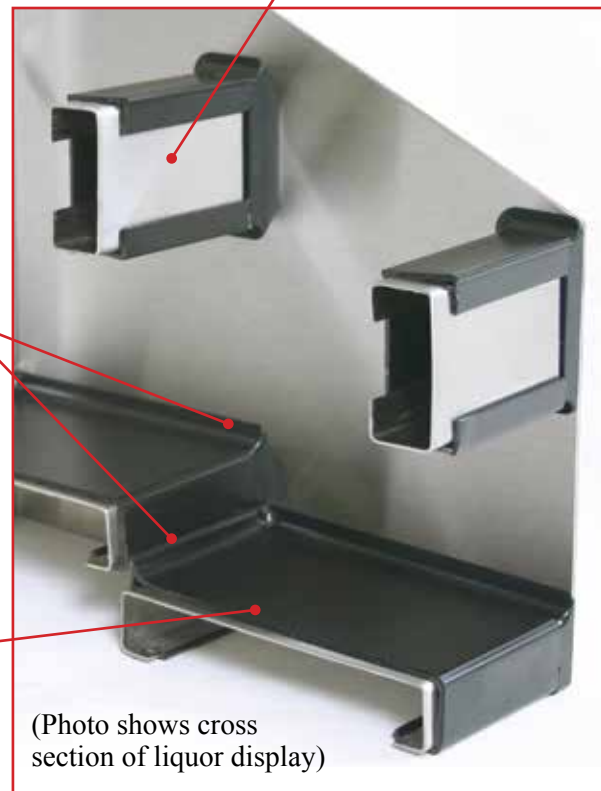
Radius corners on all sides of the liquor step for easy cleaning.

PVC-covered steps and rails to minimize bottle noise.



Open step-and-rail design with hand-sized gap for easy cleaning.

Stainless steel step and rail "C" channel construction provides unprecedented strength.



(Photo shows cross section of liquor display)

Multi-Bowl Sinks



Over-sized bowl easily accommodates brush washers.

Industry Standard Bowls



Glastender Bowls



16 gauge fabricated bowls provide nearly three times the bottom thickness as industry standard 20 gauge drawn bowls.



One-piece backsplash, work surface, and front rail satisfies stringent health code requirements.

24" deep models provide deeper drainboards for increased draining storage.



Elevated perforated insert creates a 5/8" air gap for better air circulation.

16 gauge stainless steel sink bowls provide unmatched durability.

Ice Cream Freezers



Beautiful cabinet design provides a full 6" of clearance to ease floor cleaning below unit.



Also available in a 36" wide model capable of holding two 3-gallon tubs.



Specifically designed hinge allows door to stay propped open while dipping.

Bin liner attached directly to work surface to minimize seams for easy cleaning.



Seamlessly welded dipper well for easy cleaning.

Deluxe Hand Sinks

Heavy-duty faucet for long-lasting operation.



One-piece backsplash, work surface, and front rail for easy cleaning.



Vertically hinged door simplifies paper towel replacement.



Concealed towel dispenser enhances line-up appearance.

Seamless welded sink bowl satisfies stringent health code requirements.



Deck-mounted soap dispenser conveniently refills from the top.

Designs for function not footage

Each underbar line-up is designed to meet customer requirements, assembled at the factory, then broken down into shippable sections for a "no hassle" installation.



Additional products available in the expansive Glastender underbar line



POS cabinet



In-counter
blender station



Island Oasis®
stand



Recessed wet waste
sink and drainboard
combo unit



Wet waste sink
with cabinet base
and dry waste chute



Wet waste sink
with cabinet base
for chemical storage



Standard ice bin with bottle wells, speed rail
and soda gun holder mounted left



Drainboard
drawer unit



Wet waste sink with
divided cabinet base
to separate chemical
bottle storage from
other dry storage



Hand sink with
soap dispenser and
front-mounted paper
towel dispenser



Recessed drainboard



Glassrack



Glassrack with roll-out shelves



Slanted liquor display
with locking liquor bottle cabinet
(rack not included)



Dry waste chute shown mounted to
left of drainboard cabinet with optional
Slim Jim™ trash receptacle



Add-on cabinet base mounts below
standard underbar (shown mounted
below liquor display)

Wait Stations



The innovative Wait Station from Glastender frees up bar space and keeps trays, menus, and other necessities at your servers' fingertips. All stainless steel, with radius work surface corners and integrated splashes, it's easy to keep clean and organized.

Better yet, it really looks great on your bar!



Drink Rails



Drink rails conveniently mount to the underside of the bar top to provide stainless steel draining drink preparation area.

Drop-in Drain Pans



Drop-in drain pans fit inside a cut-out in your bar top to provide a stainless steel draining work surface area.