



TAB-W  
 30" D by 72" L Work Table with welded undershelf, 15" by 20" drawer and 15" deep tiered overshelves

Project: _____	AIA# _____
Item #: _____ Qty: _____	SIS# _____
Model #: _____	

## Work Tables

### Product Information

Glastender highly configurable Work Tables deliver tailor-made solutions. All stainless steel construction including reinforcement channels. Available in depths from 18" to 36" and lengths from 18" to 144" in one-half inch increments.

#### Top options include:

- Nosing profile - flat, marine, or rounded
- Backsplash - none, upturn, 1" deep, or 2-1/4" deep
- Endsplash - none, left, right, or both
- Overshelf - none, single, or tiered
- Integrally-welded, fabricated sinks
- Drop-in cutouts

#### Base options include:

- Undershelf - none, welded, or adjustable
- Legs - welded or knock down
- Feet - bullet, flanged, or casters
- Drawers - none, single, or tiered



**Intertek**

4004503  
 Conforms to ANSI/NSF STD 2

### Specifications

*NOTE: Due to the highly configurable nature of Glastender Work Tables, some of the specifications below only apply if those options are selected.*

#### Sink

- Drain: 1-1/2" I.P.S. or 3-1/2" centered drain hole
- Faucet holes: Deck or splash mount, 1-1/8" diameter, 4" or 8" centers

#### Legs & Overshelf Uprights

- 1-5/8" diameter, 16 gauge stainless steel

#### Cross members

- 1-1/4" diameter, 16ga stainless steel

#### Feet

- Stainless steel bullet, stainless steel flanged, or 5" diameter gray polyurethane casters

#### Drawer slides

- Stainless steel, ball bearing, full extension, NSF

#### Materials

- Top: 14 gauge type 304 stainless steel or 16 gauge type 304 stainless steel
- Undershelf: 16 gauge type 304 stainless steel, 18 gauge type 304 stainless steel, or 18 gauge type 430 stainless steel
- Overshelf: 16 gauge type 304 stainless steel, 18 gauge type 304 stainless steel, or 18 gauge type 430 stainless steel
- Sink bowl: 14 gauge type 304 stainless steel or 16 gauge type 304 stainless steel
- Support channels: 14 gauge type 201 stainless steel
- Undershelf adjustable socket: cast aluminum

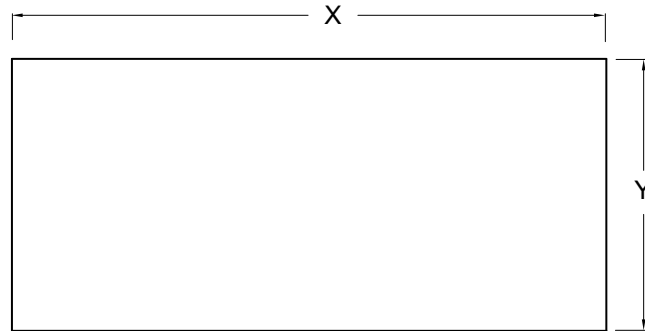
To view cleaning and care instructions, please visit:  
[http://www.glastender.com/PDF/F-423-011\\_ss\\_clean\\_care.pdf](http://www.glastender.com/PDF/F-423-011_ss_clean_care.pdf)

<b>Glastender, Inc.</b> • 5400 N Michigan Rd • Saginaw, MI • 48604-9780 989.752.4275 • 800.748.0423 • Fax 989.752.4444 <a href="http://www.glastender.com">www.glastender.com</a>	Approval/Notes:
Specifications subject to change without notice. For current specifications please visit our website.	

# Work Tables

## Dimensional Information

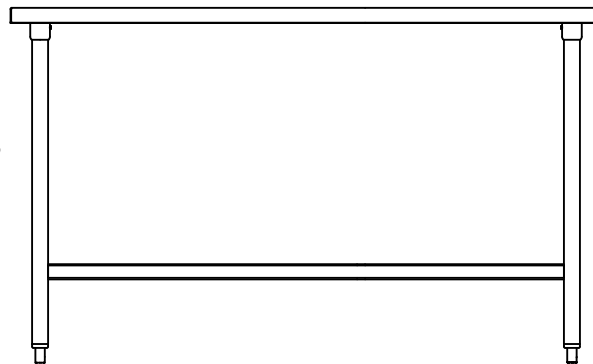
### PLAN VIEW



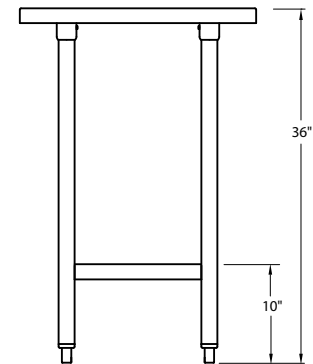
X = 18" to 144" length in one-half inch increments

Y = 18" to 36" depth in one-half inch increments

### FRONT ELEVATION

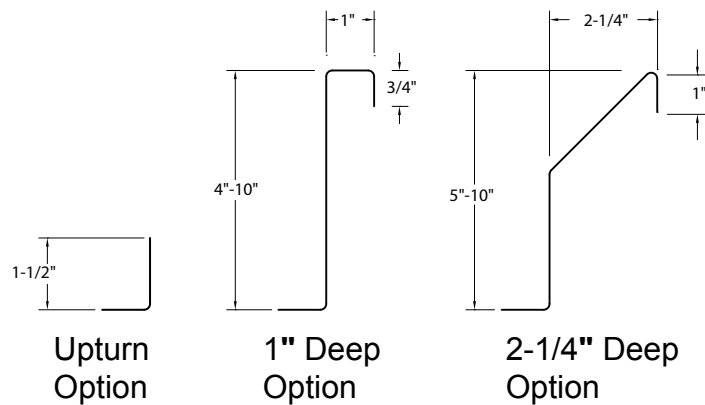


### SIDE ELEVATION



NOTE: Work Tables 72" and longer have 6 legs

## Backsplash & Endsplash Details



## Edge & Nosing Options

