



TAB-CD
 30" D by 48" L straight, right,
 Clean Dish Table



To view cleaning and care instructions, please visit:
http://www.glastender.com/PDF/F-423-011_ss_clean_care.pdf

Project: _____	AIA# _____
Item #: _____ Qty: _____	SIS# _____
Model #: _____	

Clean Dish Tables

Product Information

Glastender highly configurable Clean Dish Tables deliver tailor-made solutions. All stainless steel, TIG welded construction.

Top options include:

- Side - left or right
- Style - straight, island, or corner
- Endsplash - none, left, or right
- Tubular overshelves
- Custom notching to match dishwasher model

Base options include:

- Undershelf - none, welded, or adjustable
- Legs - welded or knock down
- Feet - bullet or flanged

Specifications

NOTE: Due to the highly configurable nature of Glastender Clean Dish Tables, some of the specifications below only apply if those options are selected.

Legs

- 1-5/8" diameter, 16 gauge stainless steel

Cross members

- 1-1/4" diameter, 16 gauge stainless steel

Feet

- Stainless steel bullet or stainless steel flanged

Materials

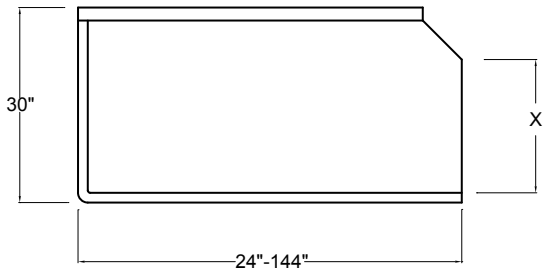
- Top: 14 gauge type 304 stainless steel or 16 gauge type 304 stainless steel
- Support channels: 14 gauge type 201 stainless steel
- Undershelf adjustable sockets: cast aluminum

Glastender, Inc. • 5400 N Michigan Rd • Saginaw, MI • 48604-9780 989.752.4275 • 800.748.0423 • Fax 989.752.4444 www.glastender.com	Approval/Notes:
Specifications subject to change without notice. For current specifications please visit our website.	

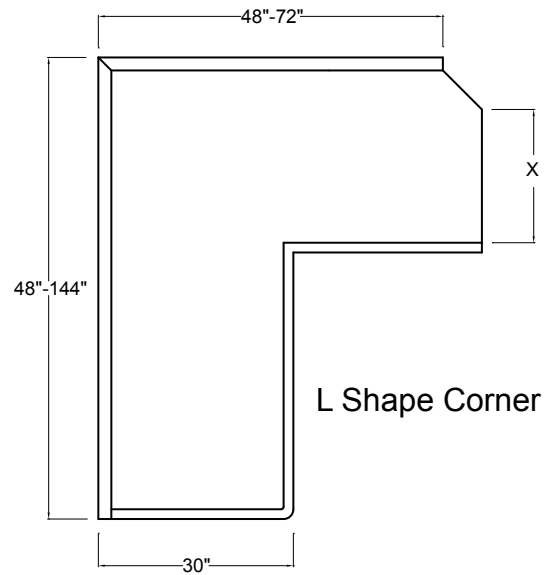
Clean Dish Tables

Dimensional Information

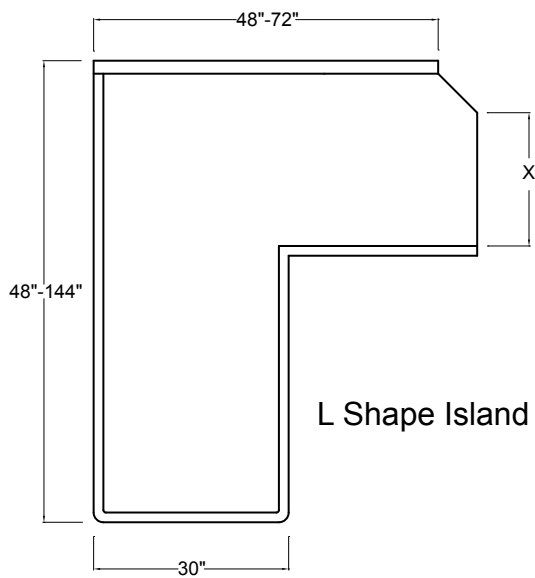
PLAN VIEWS



Straight
 X = Dimension determined
 per dishwasher specification

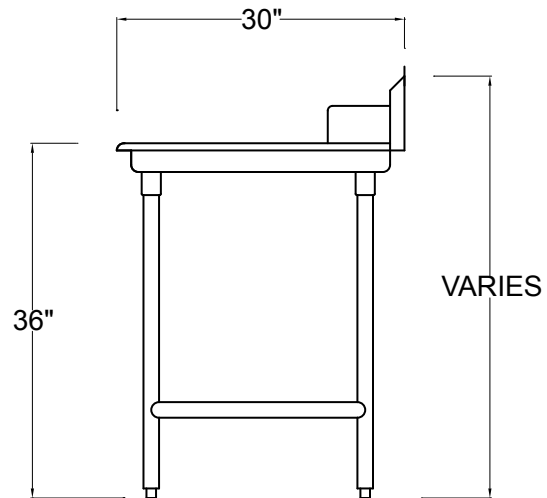


L Shape Corner

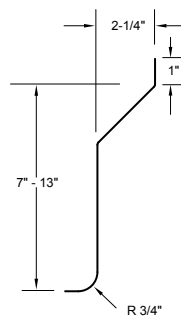


L Shape Island

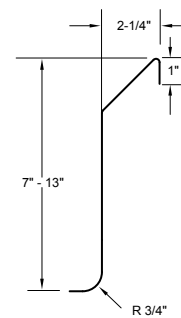
SIDE ELEVATION



Backsplash and Endsplash Details



Upturn Option



Downturn Option