

Project: _____	AIA# _____
Item #: _____ Qty: _____	SIS# _____
Model #: _____	

Mixer Stands

Product Information

Glastender configurable Mixer Stands deliver tailor-made solutions. All stainless steel construction including reinforcement channels. Available in depths from 18" to 36" and lengths from 18" to 36" in one-half inch increments.

Top options include:

- Nosing profile - marine or inverted V

Base options include:

- Undershelf - none, welded, or adjustable
- Legs - welded or knock down
- Feet - bullet, flanged, or casters
- Height - 20" - 30"



STA-M
 30" D by 30" L by 24" H Mixer
 Stand with welded undershelf

Specifications

NOTE: Due to the highly configurable nature of Glastender Mixer Stands, some of the specifications below only apply if those options are selected.

Legs

- 1-5/8" diameter, 16 gauge stainless steel

Cross members

- 1-1/4" diameter, 16 gauge stainless steel

Feet

- Stainless steel bullet, stainless steel flanged, or 5" diameter gray polyurethane casters

Materials

- Top: 14 gauge type 304 stainless steel or 16 gauge type 304 stainless steel
- Undershelf: 16 gauge type 304 stainless steel, 18 gauge type 304 stainless steel, or 18 gauge type 430 stainless steel
- Undershelf adjustable socket: cast aluminum
- Support channels: 14 gauge type 201 stainless steel



Intertek

4004503

Conforms to ANSI/NSF STD 2

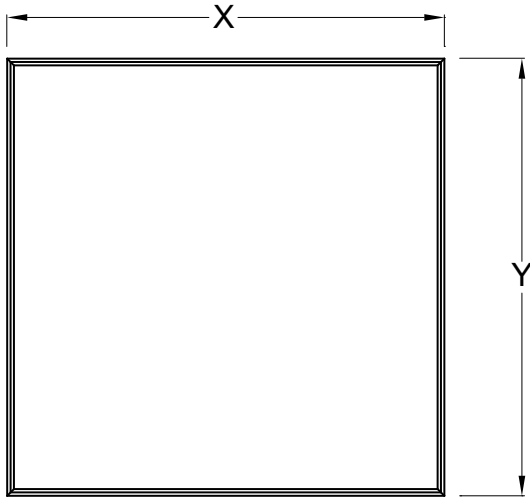
To view cleaning and care instructions, please visit: http://www.glastender.com/PDF/F-423-011_ss_clean_care.pdf

Glastender, Inc. • 5400 N Michigan Rd • Saginaw, MI • 48604-9780 989.752.4275 • 800.748.0423 • Fax 989.752.4444 www.glastender.com	Approval/Notes:
Specifications subject to change without notice. For current specifications please visit our website.	

Mixer Stands

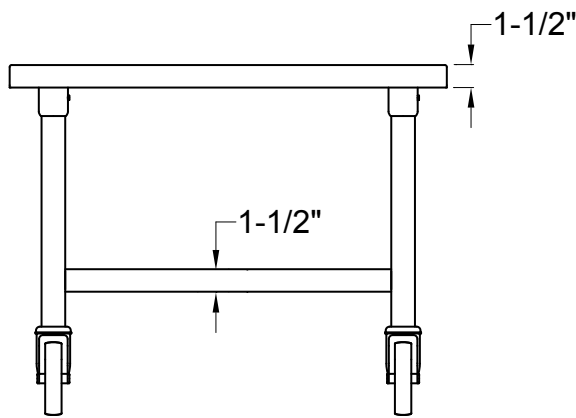
Dimensional Information

PLAN VIEW



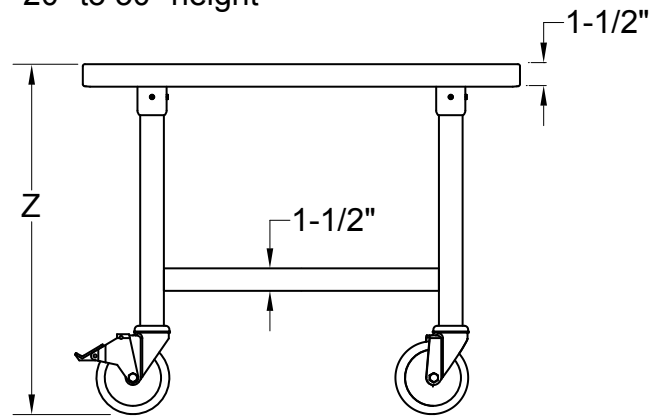
X = 18" to 36" length in one-half inch increments

Y = 18" to 36" depth in one-half inch increments



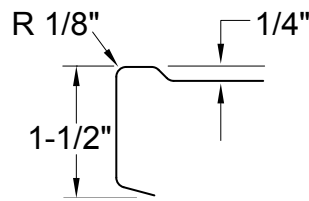
FRONT ELEVATION
(shown with optional shelf)

Z = 20" to 30" height

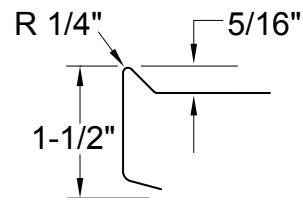


SIDE ELEVATION
(shown with optional shelf)

NOSING OPTIONS DETAIL



MARINE



INVERTED "V"