

Project: _____	AIA# _____
Item #: _____ Qty: _____	SIS# _____
Model #: _____	

Compartment Sinks

Product Information

Glastender highly configurable Compartment Sinks deliver tailor-made solutions. One, two, three and four compartment models are available with or without drainboards. All stainless steel, tig welded construction. Available in depths from 24" to 36" and lengths from 24" to 144" in one-half inch increments.

Top options include:

- Number of sink bowls - 1, 2, 3, or 4
- Backsplash height - 7" to 13"
- Drainboard - none, left, right, or both
- Endsplash - none, left, right, or both
- Sink bowl depth - 6" to 14"

Base options include:

- Legs - welded or knock down
- Feet - bullet or flanged
- Undershelf - welded, adjustable, or removable

Specifications

NOTE: Due to the highly configurable nature of Glastender Compartment Sinks, some of the specifications below only apply if those options are selected.

Sink

- Drain: 3-1/2" centered drain hole
- Faucet holes: Splash mount, 1-1/8" diameter, 4" or 8" centers

Legs

- 1-5/8" diameter, 16 gauge stainless steel

Cross members

- 1-1/4" diameter, 16 gauge stainless steel

Feet

- Stainless steel bullet or stainless steel flanged

Materials

- Top: 14 gauge type 304 stainless steel or 16 gauge type 304 stainless steel
- Sink bowl: 14 gauge type 304 stainless steel or 16 gauge type 304 stainless steel
- Apron front: 18 gauge type 304 stainless steel
- Leg socket gussets: 14 gauge type 201 stainless steel
- Undershelf: 16 gauge type 304 stainless steel, 18 gauge type 304 stainless steel, or 18 gauge type 430 stainless steel
- Undershelf adjustable sockets: cast aluminum



SNK-C
 30" D by 102" L Compartment Sink with three 18" by 24" by 14" deep sink bowls and right and left drainboards.
 Faucet not provided.



SNK-C
 30" D by 30" L Compartment Sink with one 24" by 24" by 14" deep sink bowl



Intertek

4004503
 Conforms to ANSI/NSF STD 2

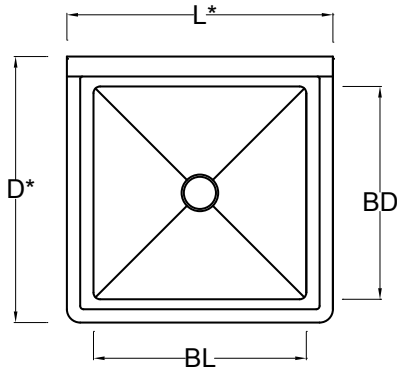
To view cleaning and care instructions, please visit:
http://www.glastender.com/PDF/F-423-011_ss_clean_care.pdf

Glastender, Inc. • 5400 N Michigan Rd • Saginaw, MI • 48604-9780 989.752.4275 • 800.748.0423 • Fax 989.752.4444 www.glastender.com	Approval/Notes:
Specifications subject to change without notice. For current specifications please visit our website.	

Compartment Sinks

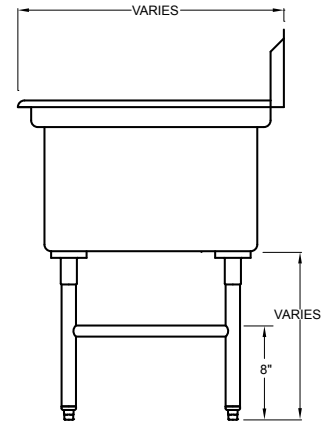
Dimensional Information

PLAN VIEW



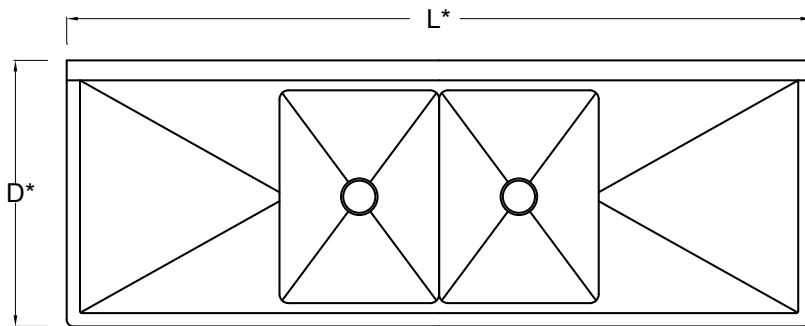
L Dimension *	21" - 144"
D Dimension *	24" - 36"
BL Dimension	15" - 36"
BD Dimension	15" - 30"
* Must be 6" larger than bowl size	

SIDE ELEVATION



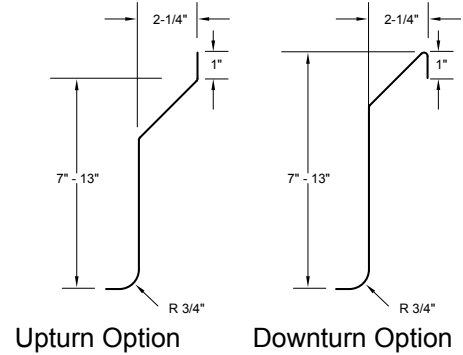
One compartment sink (shown without drainboard)

PLAN VIEW

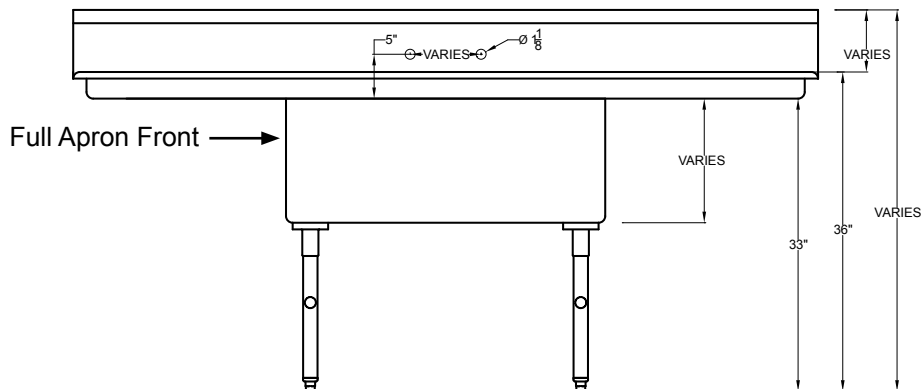


Two compartment sink (shown with drainboard)
Three and four compartment sinks also available

Backsplash and Endsplash Details



FRONT ELEVATION



5400 N Michigan Rd • Saginaw, MI • 48604-9780
989.752.4275 • 800.748.0423 • Fax 989.752.4444
www.glastender.com