

Project: _____	AIA# _____
Item #: _____ Qty: _____	SIS# _____
Model #: _____	

Wall-Mount Microwave Shelves

Product Information

Glastender configurable Wall-Mount Microwave Shelves deliver tailor-made solutions. All stainless steel construction. Available in depths from 18" to 24" and lengths from 24" to 36".



Intertek

4004503
 Conforms to ANSI/NSF STD 2



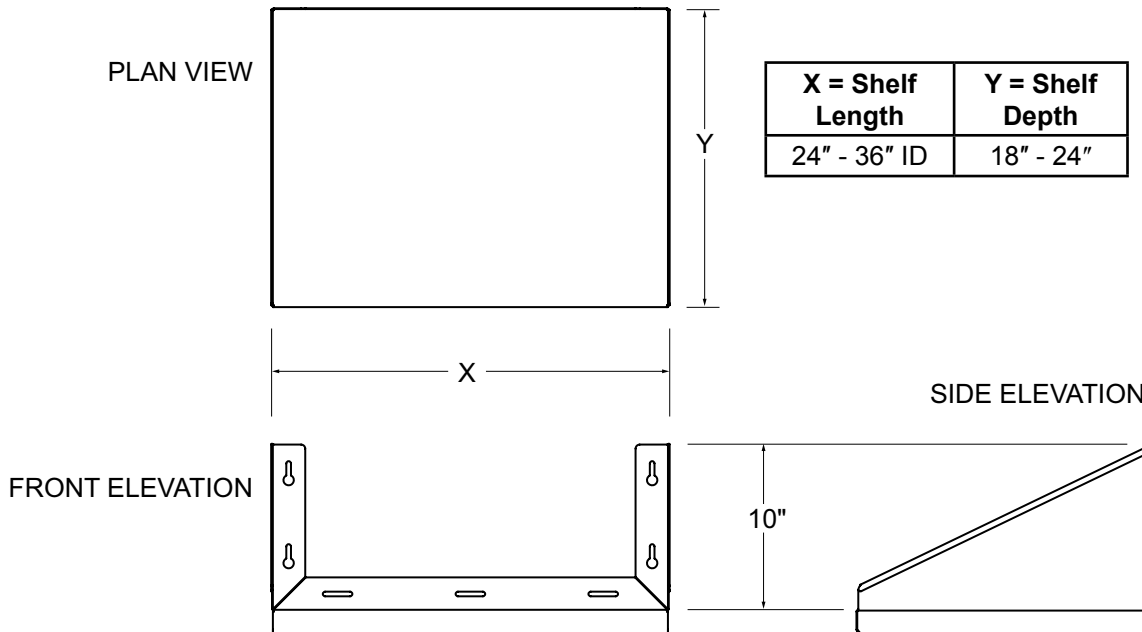
SHF-WM
 18" D by 24" L Wall-Mount
 Microwave Shelf

Specifications

Materials

- Shelf: 18 gauge type 430 stainless steel

Dimensional Information



To view cleaning and care instructions, please visit: http://www.glastender.com/PDF/F-423-011_ss_clean_care.pdf

Glastender, Inc. • 5400 N Michigan Rd • Saginaw, MI • 48604-9780 989.752.4275 • 800.748.0423 • Fax 989.752.4444 www.glastender.com	Approval/Notes:
Specifications subject to change without notice. For current specifications please visit our website.	