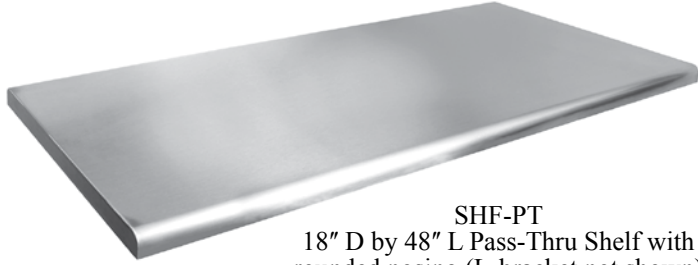


Project: _____	AIA# _____
Item #: _____ Qty: _____	SIS# _____
Model #: _____	

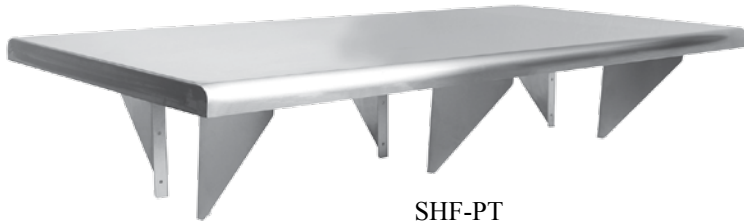
## Pass-Thru Shelves

### Product Information

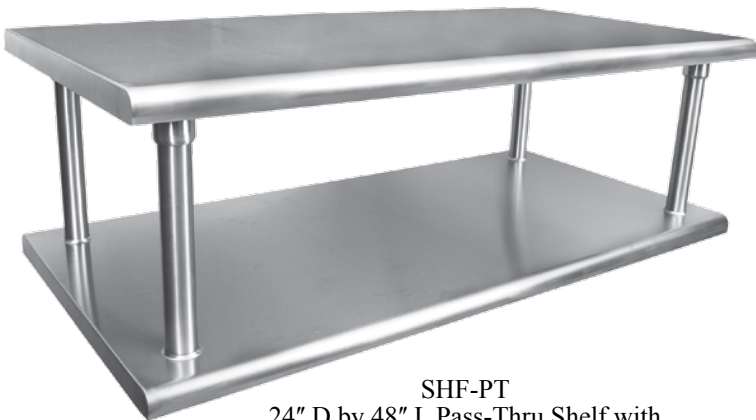
Glastender configurable Pass-Thru Shelves deliver tailor-made solutions. Brackets are field mounted and allow for variations in wall thickness. Available in 18" or 24" depths and lengths from 36" to 144" in one-half inch increments. 18" deep units ship with "L" brackets, 24" units ship with gusset brackets.



SHF-PT  
 18" D by 48" L Pass-Thru Shelf with rounded nosing (L-bracket not shown)



SHF-PT  
 24" D by 48" L Pass-Thru Shelf with rounded nosing



SHF-PT  
 24" D by 48" L Pass-Thru Shelf with rounded nosing (gusset bracket not shown)

Top options include:

- Nosing - flat or rounded
- Overshelf - with or without
- Overshelf structure - standard or heater mountable
- Overshelf height - from 12" to 18"

### Specifications

*NOTE: Due to the highly configurable nature of Glastender Pass-Thru Shelves, some of the specifications below only apply if those options are selected.*

*Materials*

- Top: 16 gauge type 304 stainless steel or 18 gauge type 430 stainless steel
- Gussets or brackets: 16 gauge type 304 stainless steel
- Lower support channel: 16 gauge galvanized
- Upper support channels: 14 gauge type 201 stainless steel
- Optional upper support channel for heater mount: 18 gauge 430 stainless steel
- Overshelf uprights: 1-5/8" diameter, 16 gauge stainless steel



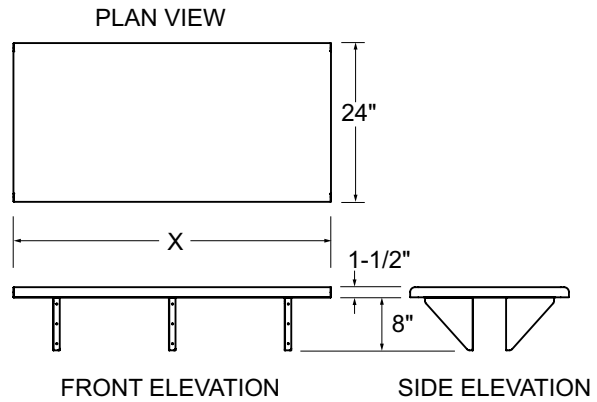
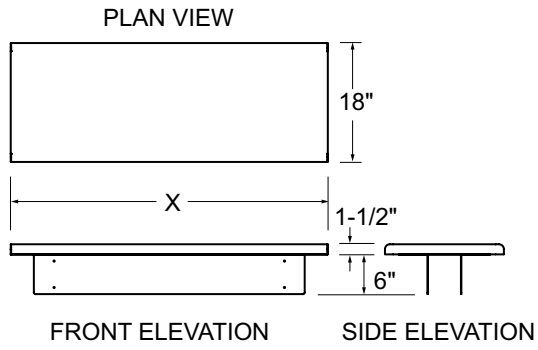
**Intertek**  
 4004503  
 Conforms to ANSI/NSF STD 2

To view cleaning and care instructions, please visit:  
[http://www.glastender.com/PDF/F-423-011\\_ss\\_clean\\_care.pdf](http://www.glastender.com/PDF/F-423-011_ss_clean_care.pdf)

<b>Glastender, Inc.</b> • 5400 N Michigan Rd • Saginaw, MI • 48604-9780 989.752.4275 • 800.748.0423 • Fax 989.752.4444 <a href="http://www.glastender.com">www.glastender.com</a>	Approval/Notes:
Specifications subject to change without notice. For current specifications please visit our website.	

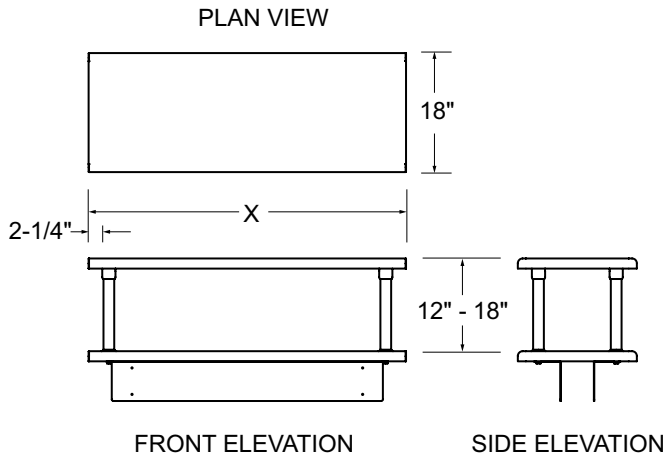
# Pass-Thru Shelves

## Dimensional Information



X = 36" - 144" IN 1/2" INCREMENTS

### PASS THROUGH SHELVES WITH OVERSHELF



X = 36" - 144" IN 1/2" INCREMENTS

