



CAB-WT  
 30" D by 54" L Work Table Cabinet with  
 1/4" overhang, flat nosing profile and  
 hinged doors



To view cleaning and care instructions, please visit:  
[http://www.glastender.com/PDF/F-423-011\\_ss\\_clean\\_care.pdf](http://www.glastender.com/PDF/F-423-011_ss_clean_care.pdf)

Project: _____	AIA# _____
Item #: _____ Qty: _____	SIS# _____
Model #: _____	

## Work Table Cabinets

### Product Information

Glastender configurable Work Table Cabinets deliver tailor-made solutions. All stainless steel construction including reinforcement channels. Available in lengths from 18" to 108". Models 63" and longer have a center wall.

#### Top options:

- Depth - 24", 30", or 36"
- Nosing - flat or rounded
- Front overhang - 1/4", 1", or 2"
- Backsplash - none, upturn, 1" deep, or 2-1/4" deep
- 

#### Base Options include:

- Mid-shelf - none, fixed, or adjustable (models less than 63" long)
- Doors - none or hinged
- Feet - bullet or flanged

### Specifications

*NOTE: Due to the highly configurable nature of Work Cabinets, some of the specifications below only apply if those options are selected.*

#### Legs

- 1-5/8" diameter, 16 gauge stainless steel

#### Feet

- Stainless steel bullet or stainless steel flanged

#### Materials

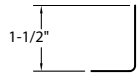
- Top: 14 gauge type 304 stainless steel
- Body: 18 gauge type 430 stainless steel
- Mid-shelf: 18 gauge type 430 stainless steel
- Support channels: 18 gauge type 430 stainless steel

<b>Glastender, Inc.</b> • 5400 N Michigan Rd • Saginaw, MI • 48604-9780 989.752.4275 • 800.748.0423 • Fax 989.752.4444 <a href="http://www.glastender.com">www.glastender.com</a>	Approval/Notes:
Specifications subject to change without notice. For current specifications please visit our website.	

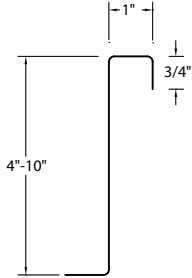
# Work Table Cabinets

## Dimensional Information

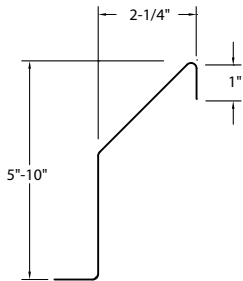
### BACKSPLASH DETAIL



Upturn

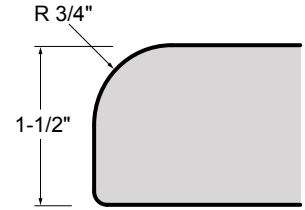
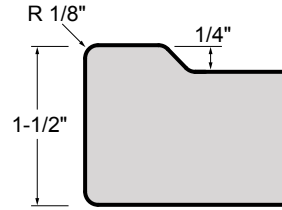
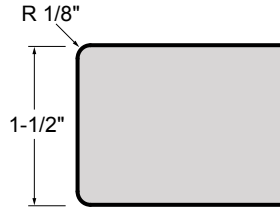


1" Deep

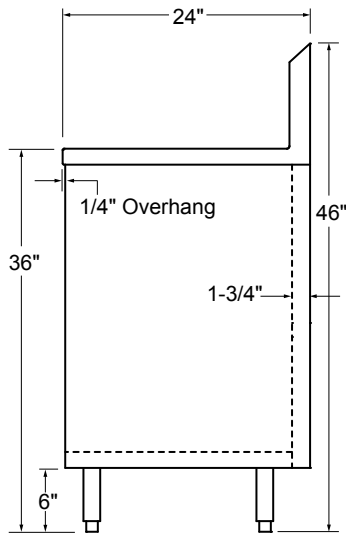
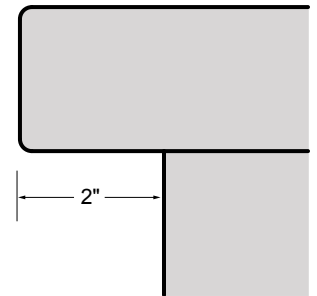
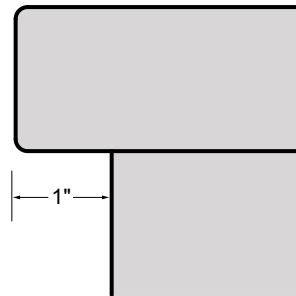
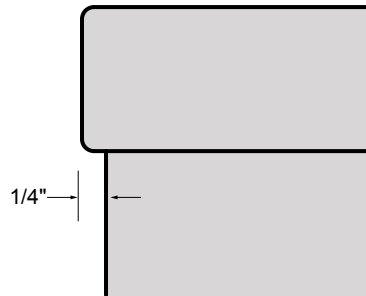


2-1/4" Deep

### EDGE AND NOSING OPTIONS

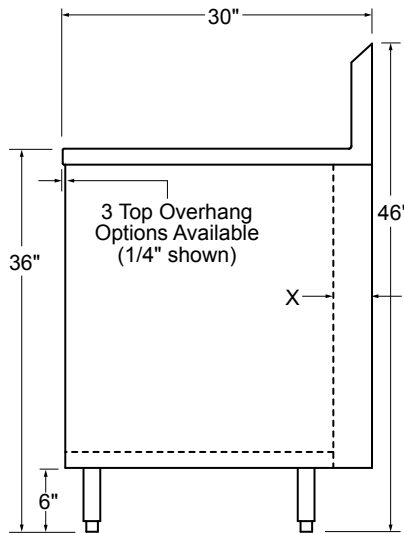


### TOP OVERHANG OPTIONS Available for 30" and 36" deep stations only



#### 24" DEEP CABINETS

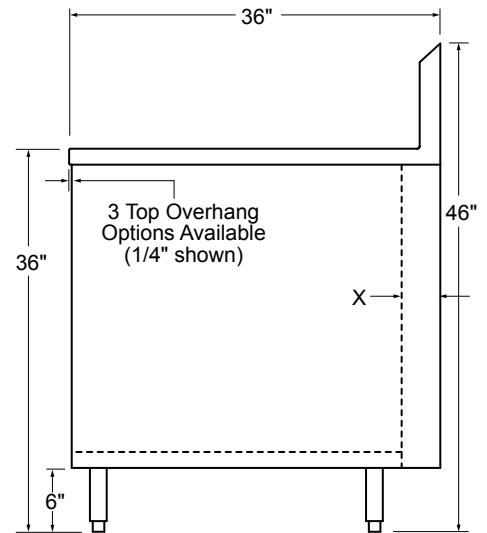
Only available with 1/4" top overhang. Rear utility chase is 1-3/4".



#### SIDE ELEVATIONS

#### 30" DEEP CABINETS

Available with 1/4" (shown), 1", or 2" top overhang. X = Rear utility chase is 3-3/4" (shown), 3", or 2" based on top overhang, respectively.



#### 36" DEEP CABINETS

Available with 1/4" (shown), 1", or 2" top overhang. X = Rear utility chase is 3-3/4" (shown), 3", or 2" based on top overhang, respectively.



5400 N Michigan Rd • Saginaw, MI • 48604-9780  
989.752.4275 • 800.748.0423 • Fax 989.752.4444  
www.glastender.com