

Project: _____	AIA# _____
Item #: _____ Qty: _____	SIS# _____
Model #: _____	

Dish Cabinets

Product Information

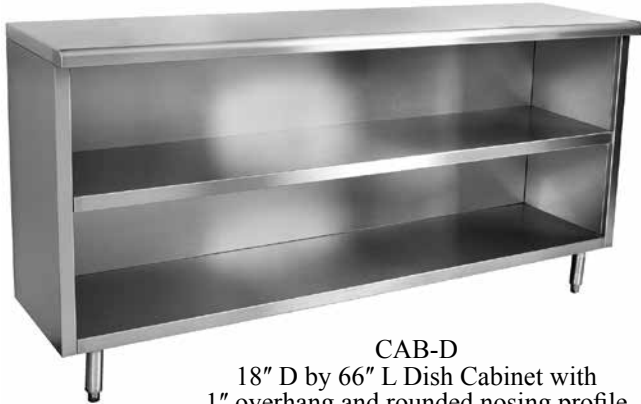
Glastender configurable Dish Cabinets deliver tailor-made solutions. All stainless steel construction including fixed mid-shelf and reinforcement channels. Available in lengths from 36" to 108" in one-half inch increments. Models 72" and longer have a center mullion.

Top options include:

- Depth - 15" or 18"
- Nosing - flat or rounded
- Front overhang - 1/4", 1", or 2"

Base options include:

- Feet – bullet or flanged



CAB-D
 18" D by 66" L Dish Cabinet with
 1" overhang and rounded nosing profile



Intertek

4004503
 Conforms to ANSI/NSF STD 2

Specifications

NOTE: Due to the highly configurable nature of Glastender Dish Cabinets, some of the specifications below only apply if those options are selected.

Legs

- 1-5/8" diameter, 16 gauge stainless steel

Feet

- Stainless steel bullet or stainless steel flanged

Materials

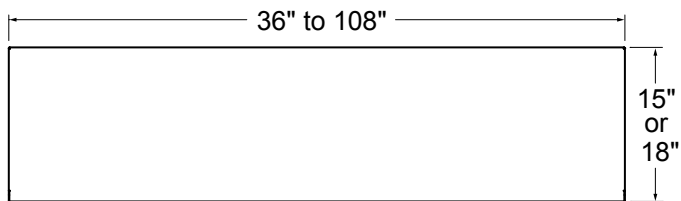
- Top: 14 gauge type 304 stainless steel
- Body: 18 gauge type 430 stainless steel
- Mid-shelf: 18 gauge type 430 stainless steel
- Support channels: 18 gauge type 430 stainless steel

Glastender, Inc. • 5400 N Michigan Rd • Saginaw, MI • 48604-9780 989.752.4275 • 800.748.0423 • Fax 989.752.4444 www.glastender.com	Approval/Notes:
Specifications subject to change without notice. For current specifications please visit our website.	

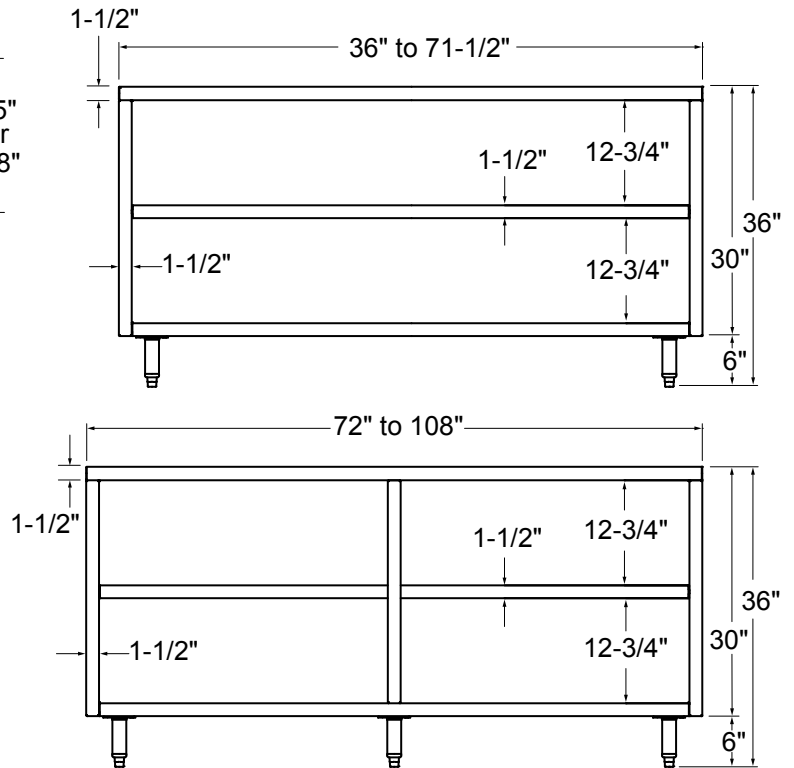
Dish Cabinets

Dimensional Information

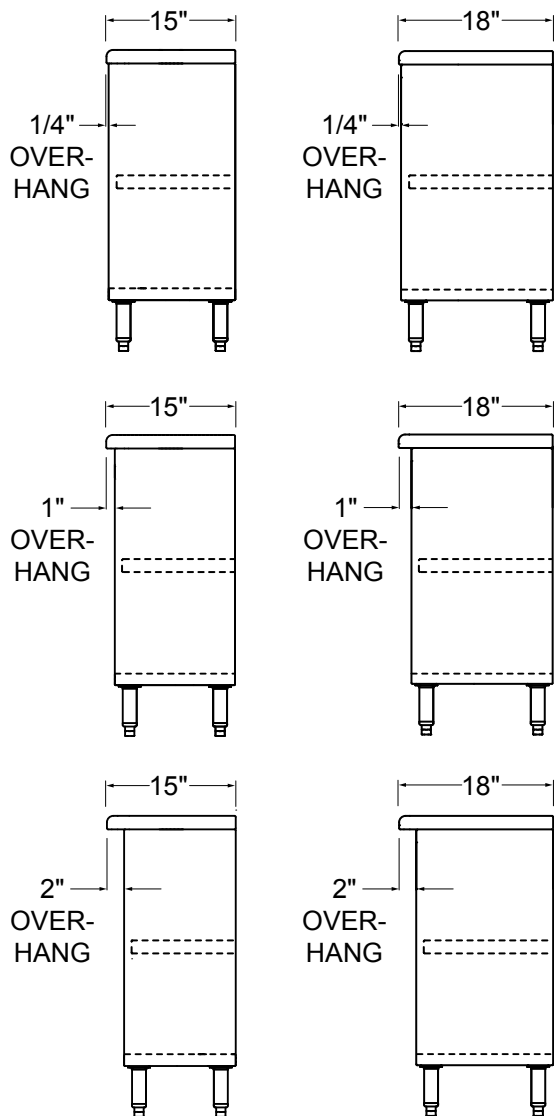
PLAN VIEW



FRONT ELEVATIONS



SIDE ELEVATIONS



NOSING DETAILS

