

Glastender®

www.glastender.com

Project: _____	AIA# _____
Item #: _____ Qty: _____	SIS# _____
Model #: _____	

Zeus Towers



ZCT-5-PB-B

ZCT- - -

Size:
Specify the number of faucets from 3, 4 or 5

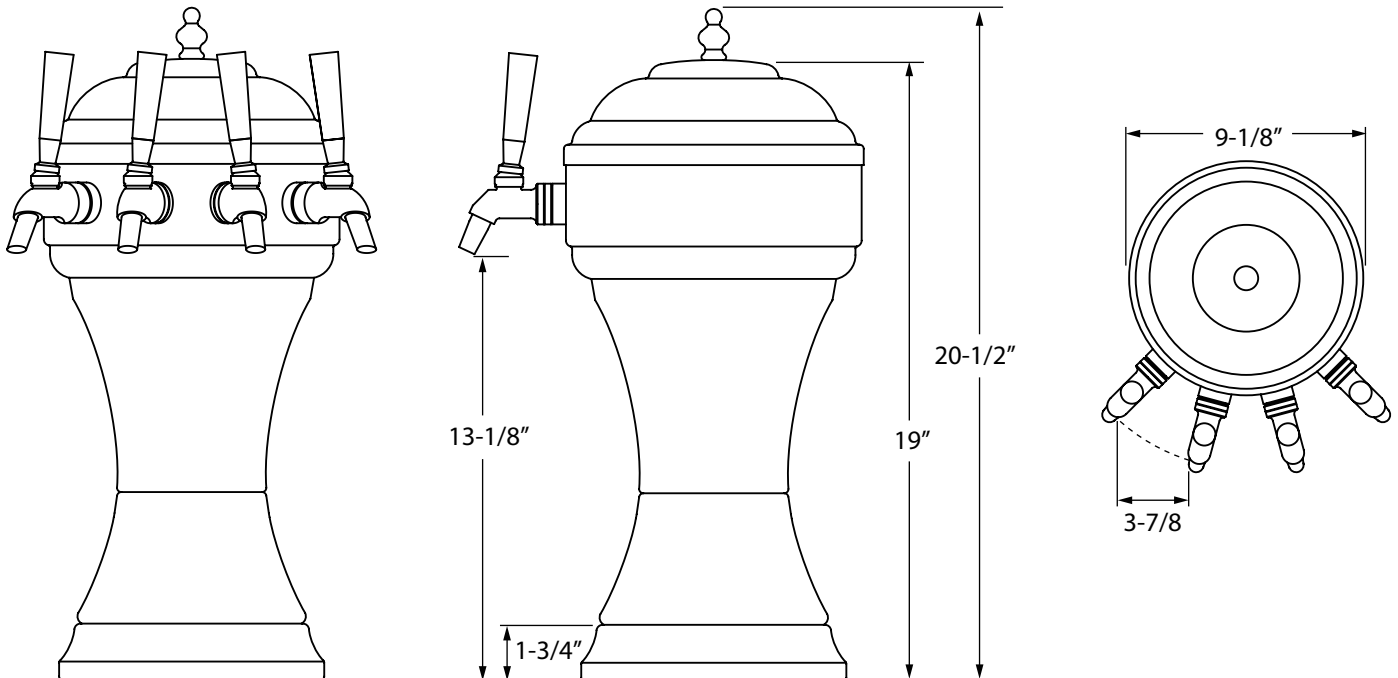
Base Color:
B = Black
W = White
G = Green

Hardware Finish:
MF = Mirror finish
PB = Polished brass

Towers supplied with US style stainless steel faucets.

NOTE: Faucet handles not included.

Dimensional Information



Glastender, Inc. • 5400 North Michigan Road • Saginaw, MI • 48604-9780
989.752.4275 • 800.748.0423 • Fax 989.752.4444
www.glastender.com

Approval/Notes:

Specifications subject to change without notice. For current specifications please visit our website.