



WCH48



WCH36

**WALL CABINETS**

OPEN FRONT	LIST	HINGED DOORS	LIST	LENGTH	WT
WCO24	\$919★	WCH24	\$1,485★	24"	55#
WCO30	\$1,032★	WCH30	\$1,854★	30"	60#
WCO36	\$1,137★	WCH36	\$2,044★	36"	65#
WCO42	\$1,242★	WCH42	\$2,224★	42"	70#
WCO48	\$1,346★	WCH48	\$2,402★	48"	75#
WCO60	\$2,064★	WCH60	\$3,708★	60"	120#
WCO72	\$2,274★	WCH72	\$4,089★	72"	130#
WCO96	\$2,693★	WCH96	\$4,803★	96"	150#

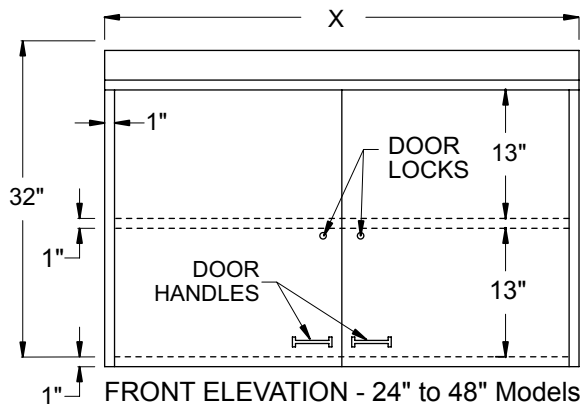
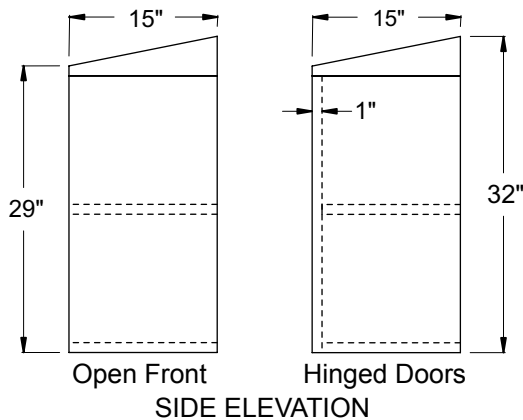
**PRODUCT INFORMATION**

(see Specification Guide page 6 .12 for complete specs and dimensional information)

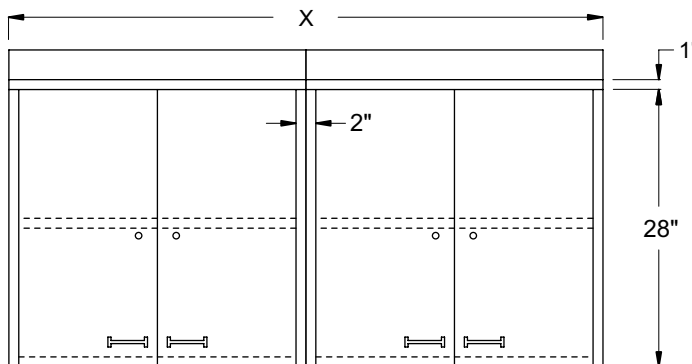
**STANDARD FEATURES:** Includes intermediate shelf • Includes wall-mounting bracket • Available with open front or with hinged doors • Door models include door locks and positive latch catch • Door models 24" - 48" have 2 doors, 60" - 96" have 4 doors • Sloping top creates sanitary surface • Four door models ship as two units and include hardware for field assembly

**DIMENSIONAL INFORMATION**

X	OPEN FRONT	HINGED DOORS
24"	WCO24	WCH24
30"	WCO30	WCH30
36"	WCO36	WCH36
42"	WCO42	WCH42
48"	WCO48	WCH48
60"	WCO60	WCH60
72"	WCO72	WCH72
96"	WCH96	WCH96



FRONT ELEVATION - 24" to 48" Models (Hinged Door Model Shown)



FRONT ELEVATION - 60" to 96" Models\* (Hinged Door Model Shown)

\*NOTE: Four door models ship as two units and include hardware for field assembly.