

Project: _____	AIA# _____
Item #: _____ Qty: _____	SIS# _____
Model #: _____	

## Viper Towers



VNT-4-MF

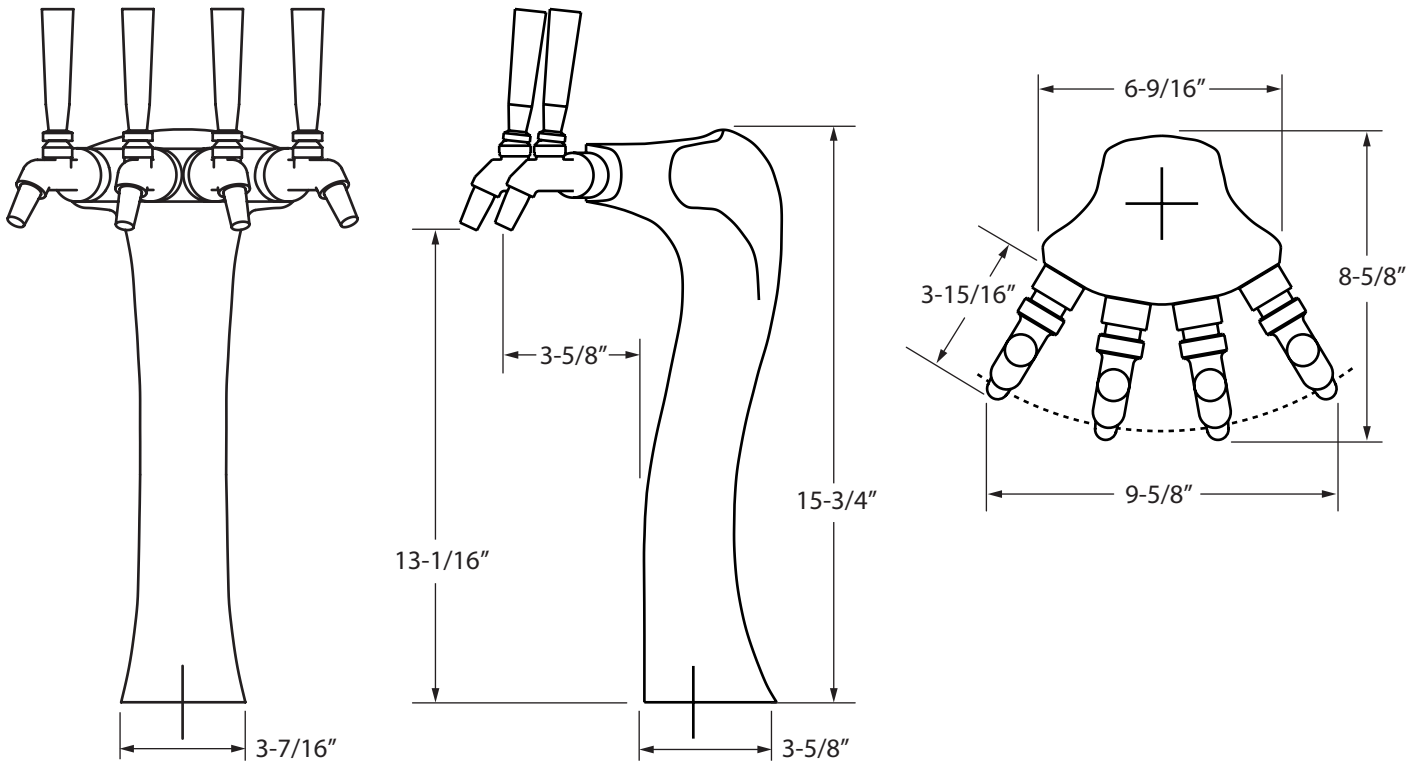
V\_\_T-4-MF

**Iced faucet:**  
N = Non-ice  
I = Ice

**Hardware Finish:**  
MF = Mirror finish

Towers supplied with US style stainless steel faucets.  
*NOTE: Faucet handles not included.*

### Dimensional Information



Glastender, Inc. • 5400 North Michigan Road • Saginaw, MI • 48604-9780  
989.752.4275 • 800.748.0423 • Fax 989.752.4444  
www.glastender.com

Approval/Notes:

Specifications subject to change without notice. For current specifications please visit our website.