

Project: _____	AIA# _____
Item #: _____ Qty: _____	SIS# _____
Model #: _____	

Vienna Ellipse Towers



VET-8-MF-BK

VET- - -

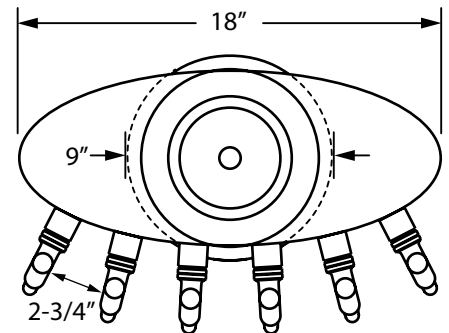
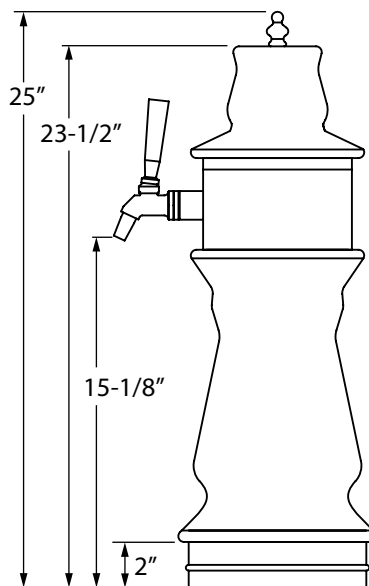
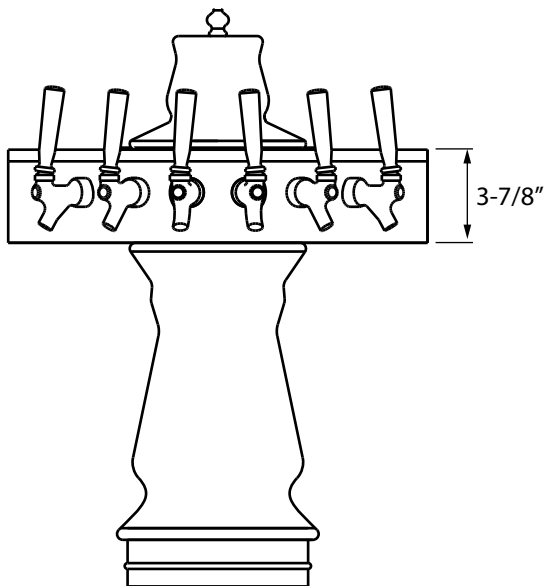
Size:
Specify the number of faucets from 5, 6 or 8

Hardware Finish:
MF = Mirror finish
PB = Polished brass

Ceramic Color:
CL = Clear (White)
AB = Antique Brass
BY = Bright Yellow
SR = Strawberry Red
MB = Midnight Blue
BG = Burgundy
EG = Emerald Green
HG = Hunter Green
BK = Black

Towers supplied with US style stainless steel faucets.
NOTE: Faucet handles not included.

Dimensional Information



Glastender, Inc. • 5400 North Michigan Road • Saginaw, MI • 48604-9780
989.752.4275 • 800.748.0423 • Fax 989.752.4444
www.glastender.com

Approval/Notes:

Specifications subject to change without notice. For current specifications please visit our website.