

BDS INDEX

Product	Page
Bottle Disintegration System	7.01

Project: _____	AIA# _____
Item #: _____ Qty: _____	SIS# _____
Model #: _____	

Bottle Disintegration System

BDS



BDS

Standard Features

- Reduces volume of glass bottle waste by as much as 85%
- Disintegrates beer, wine, and liquor bottles up to 4" in diameter and 14" in height
- The 4-gallon bucket holds approximately 43 lbs when full and is accessible for emptying by opening the front door
- Compact design fits easily under the bar or in a service station
- It takes mere seconds to crush a bottle and is no louder than a standard blender
- Stainless steel interior and exterior resists corrosion and is easy to keep clean
- Includes safety interlock switches to ensure safe operation. The unit shuts down and a red indicator light is illuminated if the front access door is open or the bucket is not in place.
- Multi-level baffle system on feed chute and gasket seal to maximize glass containment
- No empties means more stock space and a cleaner environment
- Green indicator light identifies when unit is running
- Easy operation - simply turn it on and push a bottle down the feed chute
- Includes locking casters so unit can be easily moved for cleaning
- Weighs 142 lbs. Shipping weight is 167 lbs.
- Includes two buckets. Additional buckets may be ordered under accessory part number 14000053



Intertek
 4004503
 Conforms to ANSI/UL STD 73
 Certified to CSA STD
 C22.2 No. 68

Specifications

Electrical

- 120V, Single phase, 60Hz, 9-foot NEMA 5-15P grounded cord included
- Dedicated 15 amp circuit recommended
- Power requirements - 9.0 amps
- Also available for export with 220V/50Hz or 220V/60Hz electrical. Specify accessory number CE-BDS.



Capacity

- The 4-gallon bucket weighs approximately 43 pounds and holds approximately 4 cases of disintegrated long neck beer bottles when full

Materials

- 20 gauge stainless steel parts include: cabinet, covers
- 14 gauge stainless steel parts include: drum, shelf
- 1/4" steel plate: motor mount
- Hardened steel: crusher bar
- Structural pipe, SCH 40: bottle chute

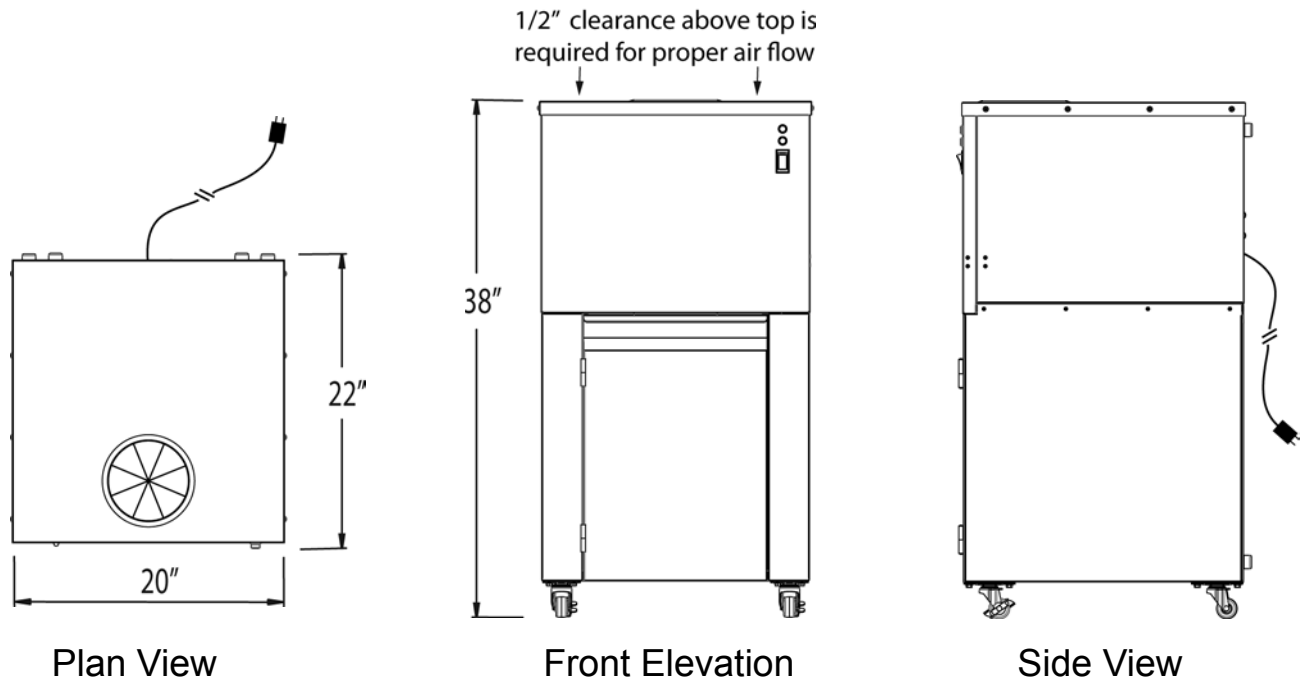
Service Access:

- Top cover, front top panel, and door must remain accessible for service
- One-half inch of clearance above top is required for proper air flow

Glastender, Inc. • 5400 North Michigan Road • Saginaw, MI • 48604-9780 989.752.4275 • 800.748.0423 • Fax 989.752.4444 www.glastender.com	Approval/Notes:
Specifications subject to change without notice. For current specifications please visit our website.	

Bottle Disintegration System

Dimensional Information



Accessory

The BDS includes two buckets. Additional buckets may be ordered under accessory part number 14000053.

