

# Operation Manual and Parts Directory

---



## LETTUCE CRISPER

**This manual is specific to Lettuce Crispers manufactured PRIOR TO September 23, 2011, and PRIOR TO Serial Number 134133546X.**

---



LC

---

Glastender, Inc. · 5400 North Michigan Road · Saginaw, MI · 48604-9780  
800.748.0423 · 989.752.4275 · Fax 800.838.0888 / 989.752.4444 · [www.glastender.com](http://www.glastender.com)

---

<b><u>Topic</u></b>	<b><u>Page</u></b>
Utility Requirements and Connections.....	1
Uncrating and Start-up Instructions.....	1
Operation.....	1
Cleaning Instructions.....	1
Wall Mounting Instructions.....	2
Electrical and Refrigeration Specifications.....	3
Electrical Diagram.....	3
Replacement Parts.....	4-7
Replacement Parts for Models Prior to 3/1/00.....	8
Terms and Conditions.....	9
Warranty.....	10

**IMPORTANT !!**  
**Attention Service Companies**

Please review the important warranty information on page 9. If you believe a service call should be covered by the factory, please call the factory for authorization between 8AM and 5PM EST, Monday through Friday.

# INTRODUCTION



This manual describes the operation features of the Lettuce Crisper. Please review this information before attempting installation and operation. Long term, trouble-free operation will follow if good housekeeping and maintenance procedures are followed. Thank you for selecting Glastender, Inc. products.

## UTILITY REQUIREMENTS AND CONNECTIONS

**Electrical:** 115 Volt AC, 1 Phase, 60 Hz, 6.64 full load amps. A separate 15 amp circuit is required. A 10-foot grounded cord is included.

**Plumbing:** Automatic condensate evaporator. No drain connection required.

## UNCRATING AND START-UP INSTRUCTIONS

All models are shipped in one carton. These steps should be followed:

1. If legs are included, bolt them to the base with bolts provided.
2. For wall mounting instructions, see page 2.
3. Position unit. It must be level and plumb.
4. Plug into 115 volt AC outlet.
5. Your Glastender equipment is now ready for use.

## OPERATION

The operating temperature range is 35°F (2°C) to 42°F (5°C).

Lettuce Crisper models include an automatic defrost system. The Lettuce Crisper will defrost every six hours for approximately 20 minutes. During the defrost, the evaporator fan will remain on and the refrigeration system will turn off.

## CLEANING INSTRUCTIONS

**ESTIMATED CLEANING TIME:** 5 to 10 minutes per unit daily, 20 minutes weekly

**FREQUENCY:** Daily cleaning of exterior & door gaskets. Weekly cleaning of interior.

### PROCEDURE:

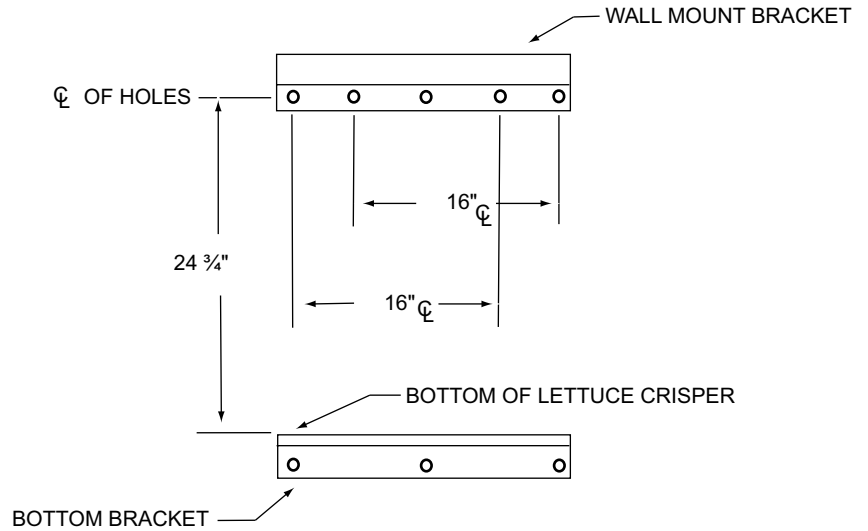
1. A non-chlorine based cleaner or mild detergent and warm water applied with a soft cloth or sponge to all contact surfaces.
2. Immediately rinse off cleaning agent(s), using clean warm water, clean soft cloth or sponge.
3. Dry with a soft clean cloth, removing standing water as soon as possible.
4. A more thorough cleaning of the interior should be done weekly (more frequently as necessary).
5. The condensing unit air filter (front top left) should be removed and thoroughly rinsed in hot clean water at least once per quarter.

### NOTES:

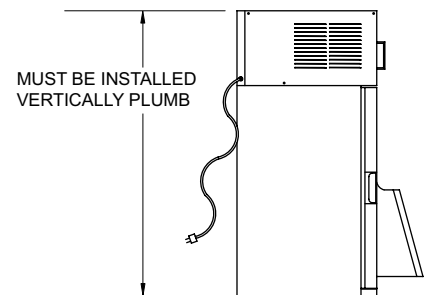
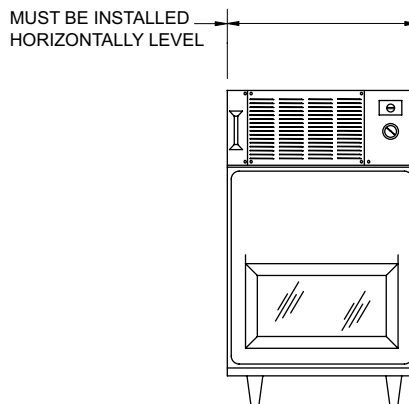
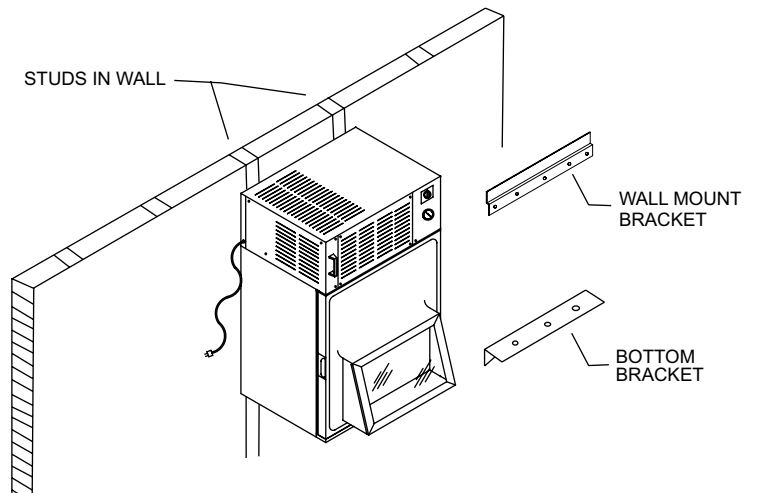
1. Never use hydrochloric acid, wire brushes, steel wool, scrapers, or chlorine based cleaners on stainless steel surfaces, since they will break down the passivity layer and allow corrosion to occur.
2. On stainless steel surfaces, you may use a soft bristle brush or Scotch-Brite® pad for more stubborn stains. Always scrub with the direction of the grain. Follow with a thorough cleaning as described above.
3. Deposits from food preparation must be properly removed. Even hard water deposits will rust stainless steel, if not removed.
4. Door gaskets are most often overlooked when cleaning. Failure to clean them regularly will lead to premature failure, since alcohol and moisture build-up breaks down the gasket material.

**INSTRUCTIONS:**

1. Mark a level line at the bottom of the lettuce crisper.
2. From this line measure up  $24\frac{3}{4}$ " and mark another level line.
3. On this line drill holes to match the holes in the wall mount bracket.
4. Install wall mount bracket.
5. Attach lettuce crisper.
6. If lettuce crisper is not on an existing shelf, secure with bottom bracket.



**NOTE:** At least two (2) of the mounting holes in the bracket should line up with studs in the wall for safe, secure mounting.



# ELECTRICAL AND REFRIGERATION SPECIFICATIONS

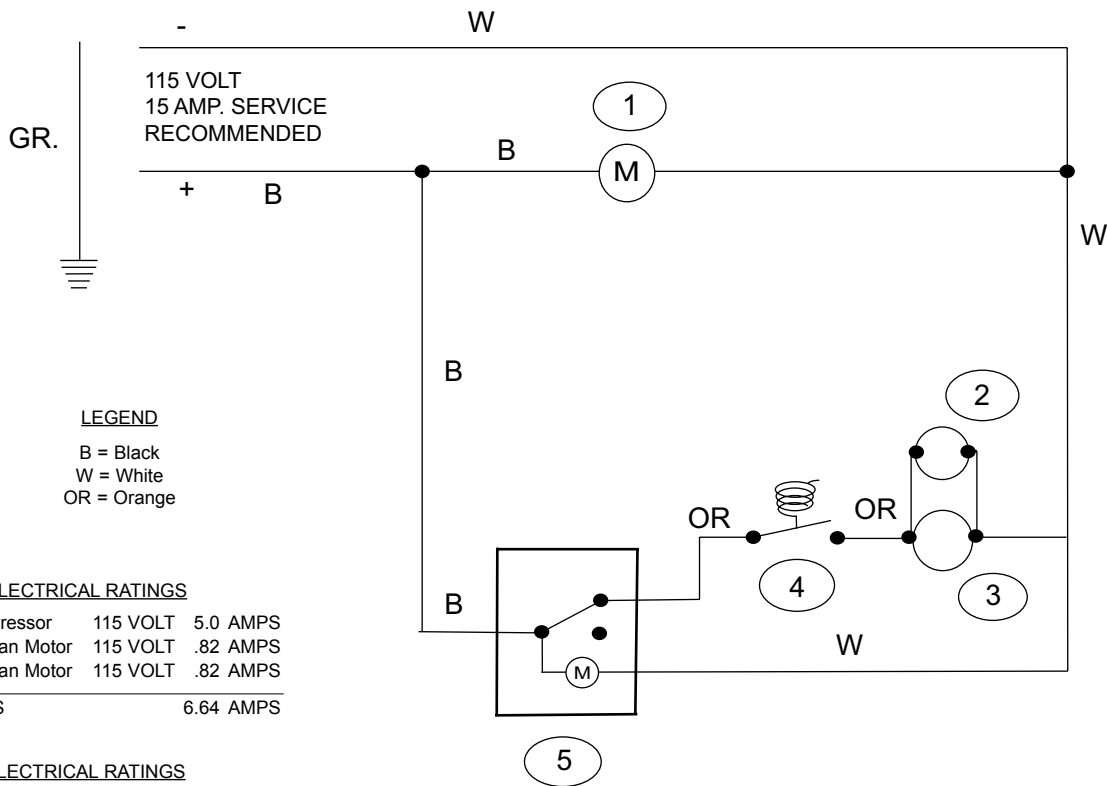


The following electrical and refrigeration specifications apply:

<u>MODEL</u>	<u>ELECTRICAL</u>	<u>REFRIGERANT</u>		<u>DESIGN PRESSURE</u>	
		<u>TYPE</u>	<u>CHARGE</u>	<u>HIGH</u>	<u>LOW</u>
R134a LC	115V, 1 Ph., 60 Hz., 6.64 AMP	R134a	8.0 oz.	232	88
R22 LC	115V, 1 Ph., 60 Hz., 8.39 AMP	R22	6.75 oz.	285	144

## ELECTRICAL DIAGRAM

ITEM	DESCRIPTION
1	Evaporator Fan Motor
2	Condenser Fan Motor
3	Compressor
4	Thermostat
5	Defrost Cycle Control



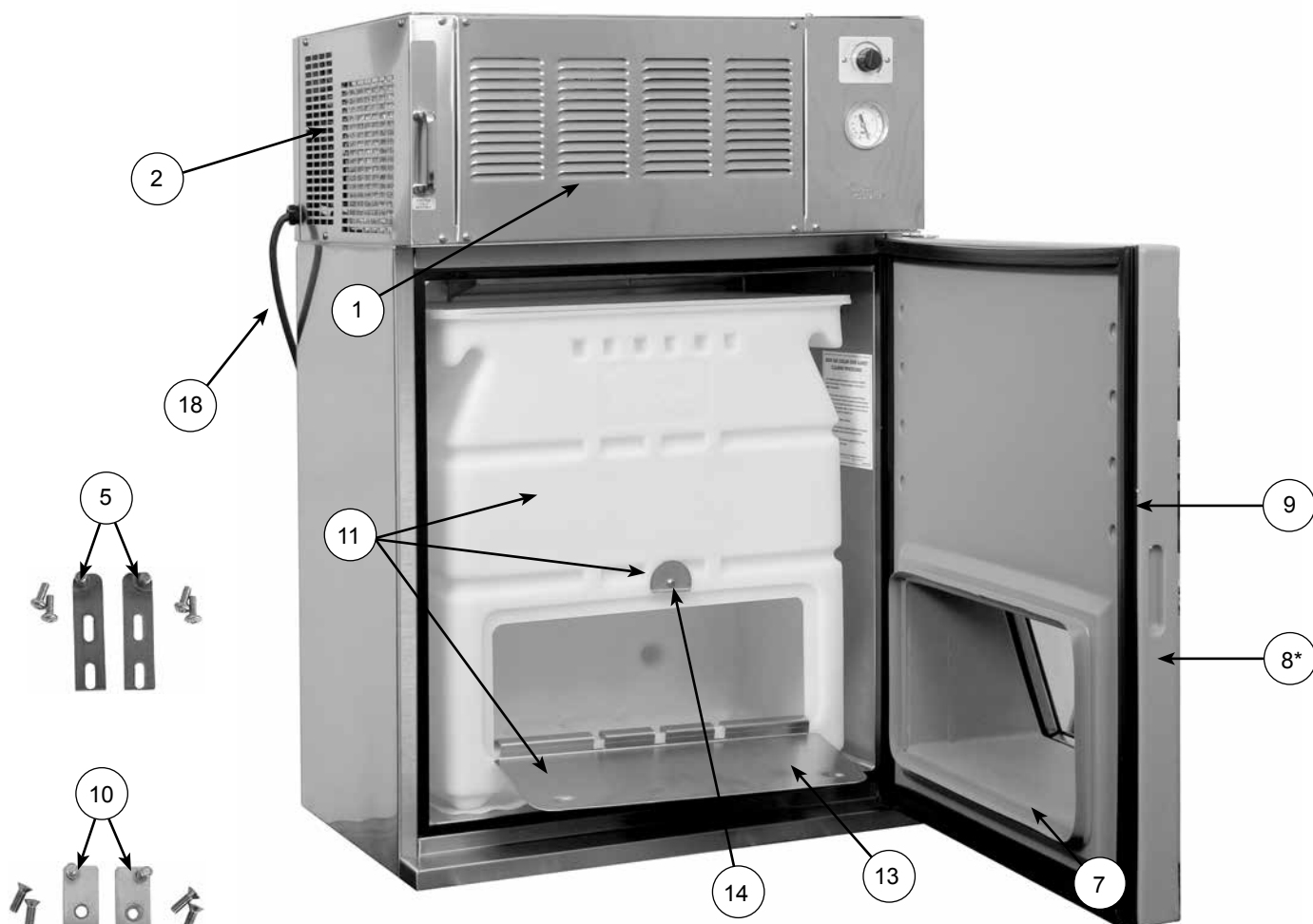
LEGEND  
 B = Black  
 W = White  
 OR = Orange

ELECTRICAL RATINGS

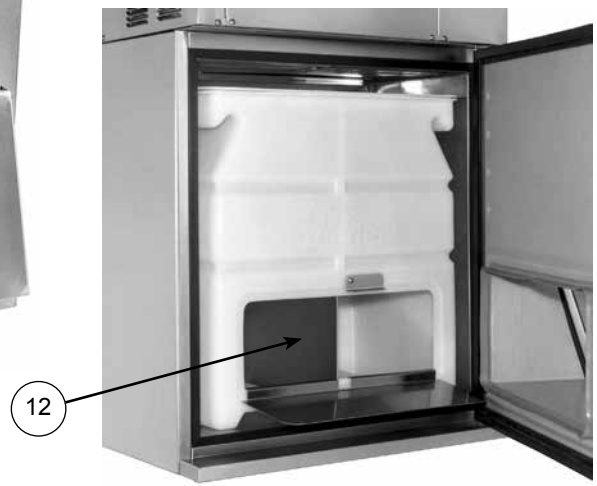
R134a Compressor	115 VOLT	5.0 AMPS
Evaporator Fan Motor	115 VOLT	.82 AMPS
Condenser Fan Motor	115 VOLT	.82 AMPS
<b>TOTAL AMPS</b>		<b>6.64 AMPS</b>

ELECTRICAL RATINGS

R22 Compressor	115 VOLT	6.75 AMPS
Evaporator Fan Motor	115 VOLT	.82 AMPS
Condenser Fan Motor	115 VOLT	.82 AMPS
<b>TOTAL AMPS</b>		<b>8.39 AMPS</b>



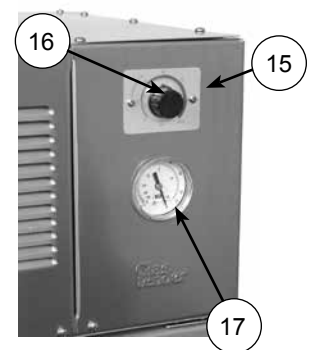
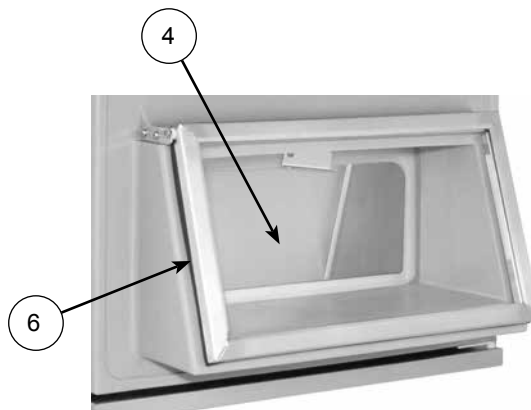
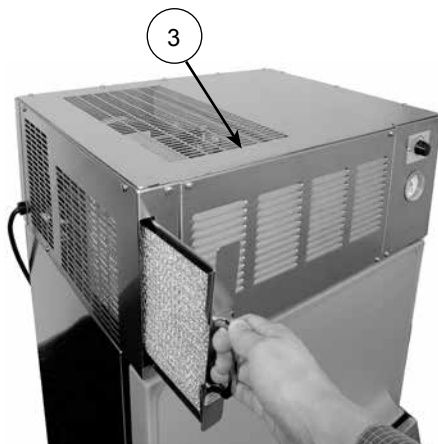
\*04/27/2017 -  
8. 11000131 has been  
discontinued



# REPLACEMENT PARTS



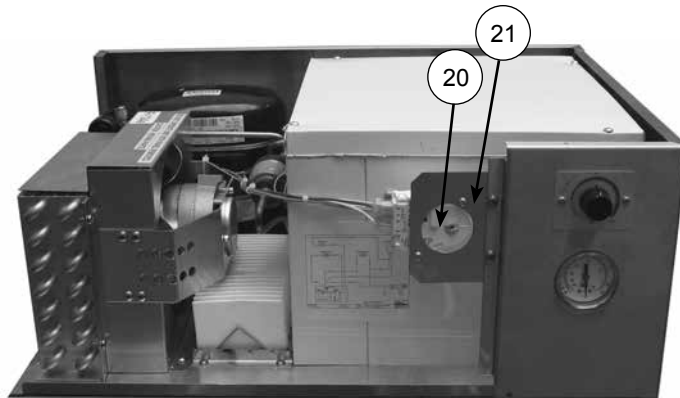
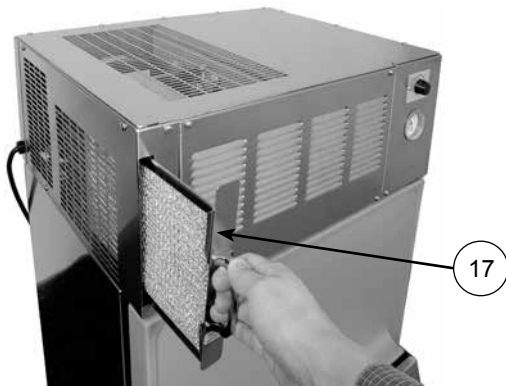
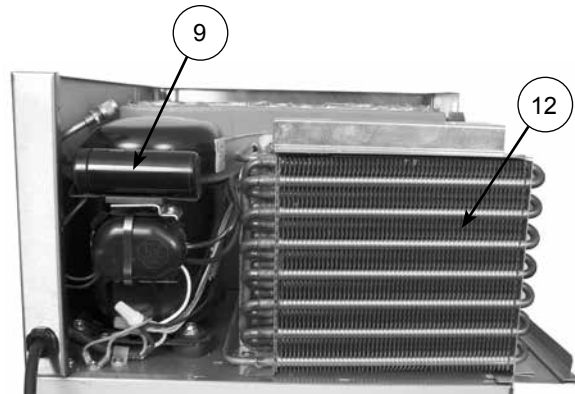
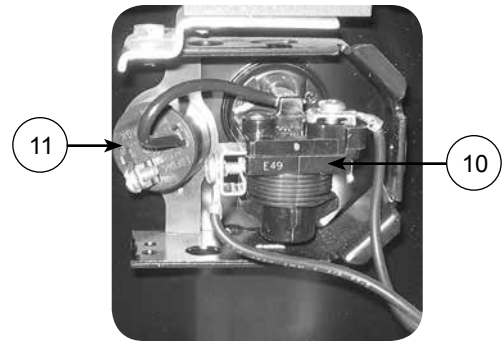
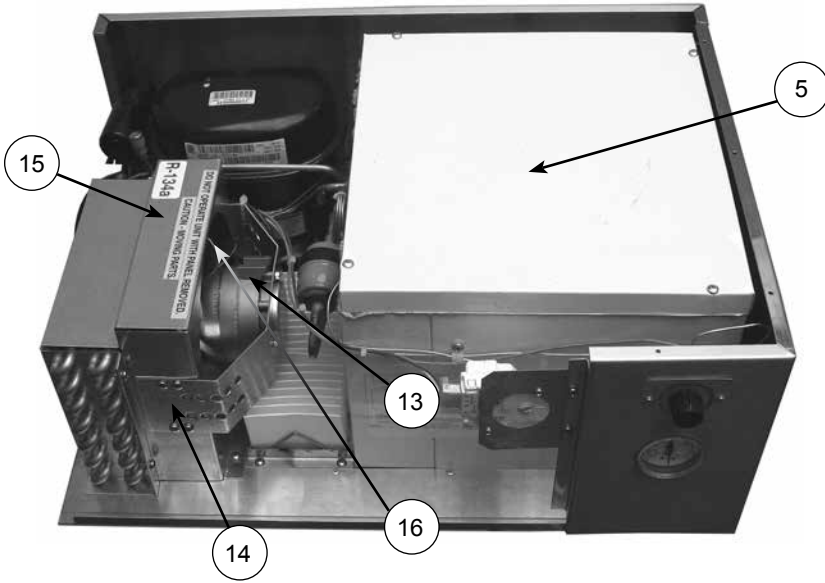
<u>MODEL</u>	<u>OLD PART NO.</u>	<u>DESCRIPTION</u>	<u>LIST</u>
1. 11000087	GT-036151	Front cover, refrigeration compartment	\$50.00
2. 11000088	GT-036152	Left cover, refrigeration compartment	72.00
3. 11000090	GT-036154	Top cover, refrigeration compartment	150.00
4. 11000093	GT-036264	Plexi-glass door, complete (prior to 01-06-06)	60.00
	11000138	Plexi-glass door, complete (after 01-06-06)	94.00
5. 11000075	GT-032113	Door hinge set, plexi-glass door (prior to 01-06-06)	25.00
	11000139	Door hinge set, plexi-glass door (after 01-06-06)	25.00
6. 11000069	GT-031322	Door gasket, plexi-glass, 18-1/2" x 10-1/4" (prior to 9-05)	25.00
	11000124	Door gasket, plexi-glass, 18-11/16" x 11-7/8" (after 9-05)	25.00
7. 11000070	GT-031326	Chute gasket, 5 feet	20.00
8. 11000131		Main door - DISCONTINUED - ORDER 11000372 OR 11000373	
9. 11000068	GT-031321	Gasket, main door, Lettuce Crisper, black, 23 1/4" x 25" OD	42.00
10. 11000076	GT-032114	Door hinge set, main door (prior to 01-06-06)	25.00
	11000201	Door hinge set, main door, left swing (after 01-06-06)	35.00
	11000202	Door hinge set, main door right swing (after 01-06-06)	35.00
11. LC-BIN		Plastic lettuce bin with stainless steel bin door (includes 11000106, 11000092, and 11000095)	197.00
12. 11000108		Bin divider, stainless steel, LC-BDIV	78.00
13. 11000092	GT-036254	Bin door, stainless steel	36.00
14. 11000095	GT-036610	Bin door latch	23.00
15. 06001405	GT-033202	Thermostat with knob	50.00
16. 06001632	GT-038419	Knob, thermostat	3.00
17. 11000085	GT-035305	Temperature gauge w/probe	70.00
18. 06009527		Power cord, exterior, 132" long	35.00
	11000149	Main door and plexi-glass assembly -- DISCONTINUED - ORDER 11000372 OR 11000373	
19. 11000372		Main door, LC, stainless, left, complete - replaces 11000131 & 11000149	418.00
	11000373	Main door, LC, stainless, right, complete - replaces 11000131 & 11000149	418.00



# ELECTRICAL COMPONENTS

<u>PART NO.</u>	<u>DESCRIPTION</u>	<u>PRICE</u>
06006121	Replacement powercord assembly, includes (06001572 06009527)	\$40.00

# CONDENSER AND RELATED PARTS

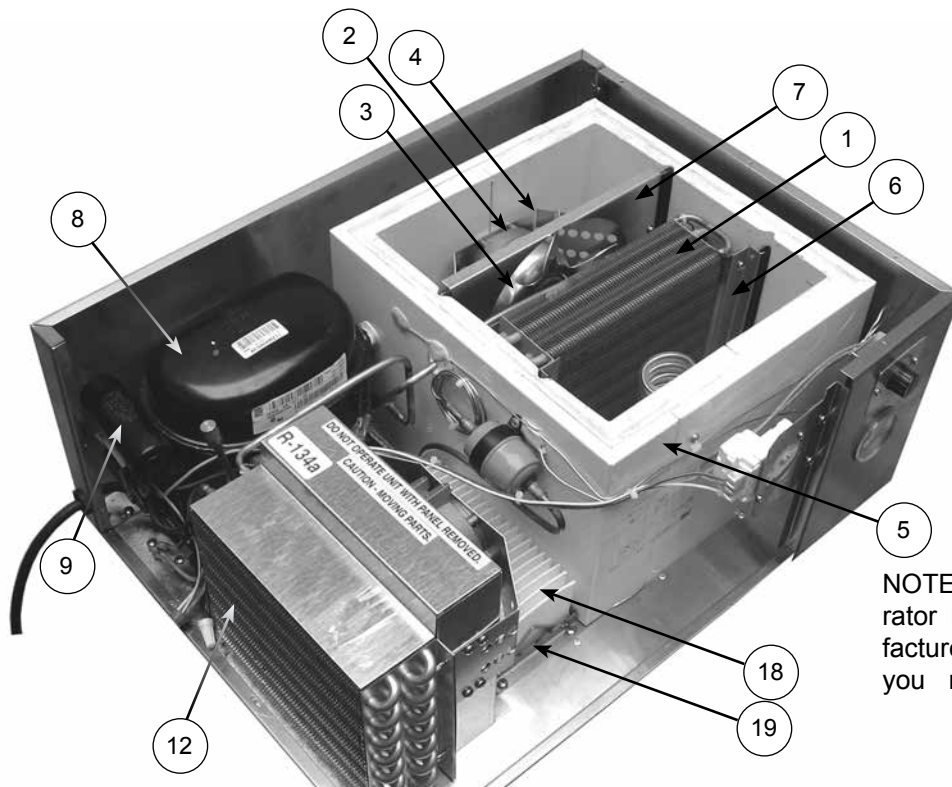




# CONDENSER AND RELATED PARTS

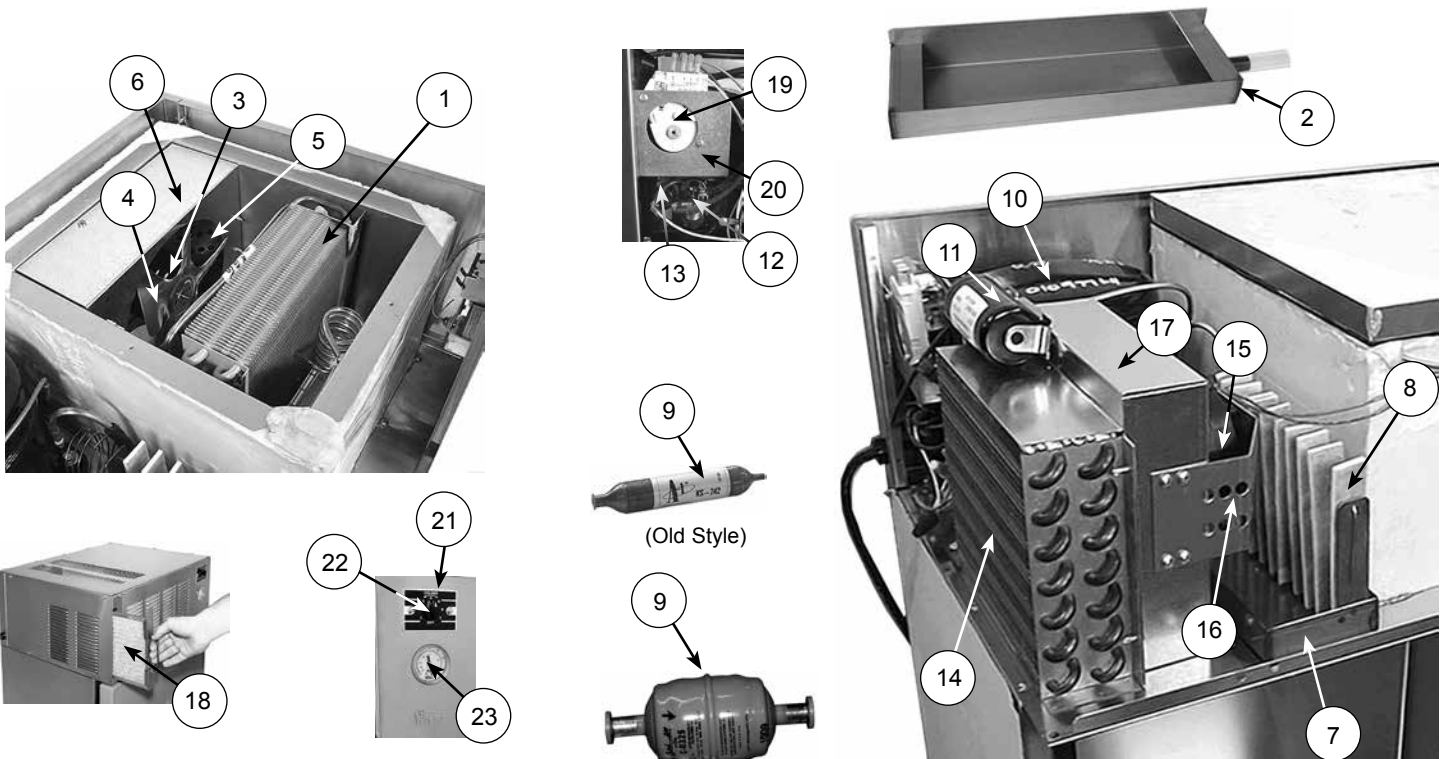


MODEL	OLD PART NO.	DESCRIPTION	LIST
1. 11000118	GT-032616	Evaporator coil replacement kit (March 2017 and prior)	\$250.00
2. 06001449	GT-035114	Evaporator fan motor, 6 watt	100.00
3. 07000155	GT-032803	Evaporator fan motor blade	12.00
4. 11000071	GT-031544	Evaporator fan motor mounting bracket	6.00
5. 11000164		Evaporator housing	127.00
11000167		Evaporator housing, condenser drain pan, evaporator drain pan - units manufactured prior to 05-18-06	168.00
6. 11000072	GT-031545	Brackets, evaporator coil (2 req'd)	11.00
7. 11000077		Evaporator fan shroud, Lettuce Crisper	20.00
8. 11000084	GT-035029	1/4 HP Tecumseh compressor, R134a (Units after 9/04)	415.00
06001444	GT-035027	1/5 HP Tecumseh compressor, R22 (Units 3/00 to 9/04)	450.00
9. 06001382	GT-032211	Start capacitor for Tecumseh compressor	25.00
10. 06001415	GT-034117	Relay for Tecumseh compressor	19.00
11. 06001303	GT-031212	Overload for Tecumseh compressor	25.00
12. 11000080	GT-032617	Condenser coil	225.00
13. 06001449	GT-035114	Condenser fan motor	100.00
14. 11000071	GT-031544	Condenser fan motor bracket	6.00
15. 11000078	GT-032309	Condenser fan shroud	20.00
16. 07000155	GT-032803	Condenser fan motor blade	12.00
17. 11000096	GT-037021	Condenser filter with handle	78.00
18. 11000102	GT-038208	Wicking material, (20 pieces 2½" x 3")	24.00
11000165		Evaporator Drain Pan	20.00
19. 11000200		Condenser Drain Pan Replacement Kit	30.00
20. 06001397	GT-033000	Defrost timer, automatic, 6 hour	32.00
21. 07000138	GT-031542	Bracket, defrost timer	3.00
22. 06001385		Filter dryer, 1/4" x 1/4"	20.00
11000120	GT-031717	Cap tube, Tecumseh 1/5 HP R22 (.036 x 60")	20.00
11000121	GT-031720	Cap tube, Tecumseh 1/4 HP R134a (.036 x 48")	20.00



NOTE: To replace an evaporator housing on units manufactured prior to 05-18-06, you must order #11000167

MODEL	OLD PART NO.	DESCRIPTION	LIST
1. 11000118	GT-032616	Evaporator coil replacement kit (March 2017 and prior)	\$250.00
2. 11000101	GT-038025	Evaporator drain pan, Lettuce Crisper (07000254 & 11000220)	36.00
3. 06001449	GT-035114	Evaporator fan motor, 6 watt	100.00
4. 07000155	GT-032803	Blade, evaporator fan motor	10.00
5. 11000050	GT-031544	Bracket, evaporator fan motor	6.00
6. 11000119	GT-032310	Evaporator fan shroud	20.00
7. 11000100	GT-038017	Condensate unit drain pan, Lettuce Crisper	36.00
8. 11000122		Wicking material, (10 pieces 5¼" x 1")	15.00
9. 06001385		Filter dryer, 1/4" x 1/4"	20.00
10. 11000082	GT-035005	1/5 HP Aspera compressor, R22	535.00
11. 06001379	GT-032201	Start capacitor for 1/5 HP R22 compressor	20.00
12. 08000083	GT-034107	Relay for 1/5 HP R22 compressor	15.00
13. 08000069	GT-031204	Overload for 1/5 HP R22 compressor	15.00
14. 11000080	GT-032617	Condenser coil	225.00
15. 06001449	GT-035114	Condenser fan motor	100.00
08000081	GT-032801	Condenser fan motor blade assembly	15.00
16. 11000071	GT-031544	Bracket, condenser fan motor	6.00
17. 11000078	GT-032309	Condenser fan shroud	20.00
18. 11000096	GT-037021	Condenser filter with handle	78.00
19. 06001397	GT-033000	Defrost timer, automatic, 6 hour	32.00
20. 07000138	GT-031542	Bracket, defrost timer	3.00
21. 06001405	GT-033202	Thermostat with knob	50.00
22. 06001632	GT-038419	Knob only	3.00
23. 11000085	GT-035305	Temperature gauge with probe	70.00
11000120	GT-031717	Cap tube, (.036 x 60")	20.00



# TERMS AND CONDITIONS

**PRICES:**

All prices are LIST. Applicable taxes will be added.

**QUOTATIONS:**

Unless otherwise stated, quotations are effective for 30 days only.

**ACCEPTANCE:**

All orders are subject to acceptance by Glastender, Inc.'s headquarters in Saginaw, Michigan. Possession of the Product Directory and Price List is not an offer to sell.

**SHIPMENTS:**

F.O.B. factory in Saginaw, Michigan. Freight terms are Third Party or Collect if shipped directly to you. Prepay and Add to Invoice freight terms are available upon request. The approximate shipping weights of all products are listed with the prices. Partial shipments will be made unless otherwise specified by the customer. Surface freight classifications are:

- GT-24/GT-30/GW24 Glasswashers - Class 175
- GT-18 Glasswashers - Class 250
- All Underbar Equipment - Class 175
- Bar Die Orders – Class 250
- Portable Bars - Class 175
- Remote refrigerators (i.e., no compressor) or dry storage back bar equipment - Class 175
- Self-contained refrigeration equipment - Class 150
- Ice Display Units (IDU and GDU) - Class 85
- Lighted Liquor Displays - Class 85
- Beer line chillers and beer towers (beverage dispensing equipment) - Class 92.5
- Bottle Disintegration System - Class 150
- Ice Cream Freezers - Class 77.5

All small items are evaluated to see the most cost effective means for shipment. Many small items ship via UPS or FedEx; however, when dimensional weight is excessive, LTL carriers are the most cost effective choice. Spare parts orders received before 1:00 PM EST can usually be shipped the same day.

The order department is happy to assist with routing or shipping questions.

**PAYMENT TERMS:**

Cash should be included with all orders unless credit terms have been arranged. To establish credit, banking and trade references are required. A convenient credit application is available upon request. Payment via credit card is not our normal means of receiving payment. Visa and MasterCard will be accepted, but must be charged at the time of shipment. In addition, a payment via credit card for orders totaling more than \$500 will incur a 3% convenience fee on the total transaction amount.

**DELIVERY:**

The majority of equipment is manufactured to order and typically ships within three to six weeks after complete order information is received by the factory. In-stock equipment typically ships within two to three days of the factory receiving complete order information.

**RETURNS:**

Items specified as "Manufactured to Order" are NOT returnable.

A Return Authorization number must be issued by the factory in advance for any items that are returnable. The number MUST be noted on the outside of the returned package. Returns must be received within 90 days of the issue date. Shipping charges must be prepaid. A minimum 20% restocking charge will be applied to all authorized returns if received in new, unused condition in the original packaging.

The above conditions apply to spare part returns, except spare part returns must be received within 30 days of original shipment for electronic or electrical parts or within 90 days for all other parts.

**LOSS OR DAMAGE:**

For customer routed shipments, Glastender, Inc. is not responsible for any loss, damage, or delay of merchandise during shipment. Such transit claims must be filed with the carrier. Merchandise must be examined on arrival. If shortages occur, Glastender, Inc. must be notified in writing within five (5) days of delivery to honor any shortage claim. Glastender will assume responsibility for freight claims on Prepay and Add shipments but the customer must inspect freight and note any damage upon receipt. Failure to do so may result in losses at the customer's expense.

**CUSTOM ORDERS:**

Custom orders must be paid in advance and are not subject to cancellation.

**LAMINATES:**

Some products include common, readily available plastic laminates of the customer's selection. There may be an additional charge if uncommon varieties are ordered.

12/14/17

**APPLICABLE TO ALL PRODUCTS SOLD WITHIN THE UNITED STATES AND CANADA**

Glastender, Inc. warrants all products to be free of defects in material and workmanship. One-year labor and parts warranty applies to all glasswashers, self-contained refrigeration models, and BDS model bottle disintegration units. In established areas, a start up is included with GT-24 and GT-30 model glasswashers. Warranty is effective for one year from the date of installation or up to 18 months from date of factory shipment, whichever occurs sooner. Glastender, Inc. will replace any part or assembly found defective under normal use and service.

For warranty labor claims beyond 15 months from the date of factory shipment, proof of date of installation or occupancy must be provided. Authorization for labor must be obtained from Glastender within the warranty period and prior to the service being performed.

Labor warranty applies to the United States and Canada only.

Remote refrigeration models and beer line chillers include a one-year parts warranty only. There is no labor warranty on these products.

Field replacement parts not covered under the original warranty include a 90-day part warranty from the date of installation.

**FOUR YEAR ADDITIONAL COMPRESSOR WARRANTY:** Glastender will warrant to the original user the compressor for all self-contained refrigeration models for an additional four years following the regular one-year warranty period. This plan applies to the compressor only.

A completed warranty claim form **MUST** accompany all returned defective parts or assemblies. Upon request, a defective part or assembly must be returned to Glastender, Inc., Saginaw, Michigan, with all transportation and delivery charges prepaid. Warranty repairs or replacements will be shipped FOB factory in Saginaw, Michigan. Reimbursement for applicable freight charges covers ground service only.

Glastender provides in-warranty repairs during a service company's regular working days and hours. There is no provision for payment of a premium rate during "overtime" hours. When warranty service is requested during other than normal working hours, the end user will be charged the premium portion of the overtime rate.

The warranty covers substantiated travel expenses for up to 2 hours / 100 miles round trip up to a maximum of \$150. Any additional costs due to installations that require extra work, time, or travel to gain access for service are the sole responsibility of the equipment purchaser. Any exceptions to these travel and access limitations must be pre-approved by a factory representative.

The warranty does not cover door gaskets, chemical tubing, pump squeeze tubing, and/or any equipment subjected to accidents, freight damage, alterations from the original design, improper power and/or plumbing hookups, improper chemical use, general misuse, or lack of routine required maintenance as determined by Glastender, Inc. Installation, normal control adjustments, general maintenance, correcting an installation error, or service calls that reveal the unit is functioning normally will not be reimbursed under warranty.

Condenser coils on self-contained refrigeration products must be cleaned regularly. Failure to provide adequate air flow to a refrigeration unit will void the warranty.

Glastender shall not be liable for loss of use, revenue, or profit, or for any other indirect, incidental, special, or consequential damage including, but not limited to, product spoilage or loss.

This warranty is conditioned upon Glastender receiving notice of any defect subject to this warranty within sixty (60) days of its discovery by the end user or dealer. All products are warranted only for the initial place of installation. Removal of a product automatically terminates this warranty.

**SECOND YEAR EXTENDED PARTS & LABOR WARRANTY:**

Glastender's one-year parts and labor warranty on self-contained refrigeration units, excluding beer line chillers, can be extended to two years with the purchase of a two year parts and labor warranty. Specify part number EWR2 (\$150 net price) when ordering.

**EXPORT WARRANTY** - One year parts only.

**EXCLUSION OF WARRANTIES**

**EXCEPT AS PROVIDED ABOVE, GLASTENDER MAKES NO WARRANTIES, EXPRESS OR IMPLIED, INCLUDING, BUT NOT LIMITED TO, ANY IMPLIED WARRANTY OF MERCHANTABILITY, FITNESS FOR A PARTICULAR PURPOSE OR NON-INFRINGEMENT.**

**LIMITATION OF REMEDIES AND DAMAGES** If Buyer makes a valid and timely claim as outlined above, Glastender's liability and Buyer's remedies under this agreement will be limited solely to labor charges authorized and/or replacement or credit, at Glastender's option, with respect to Products returned at Buyer's expense within thirty (30) days after warranty repair. **GLASTENDER'S LIABILITY WILL IN NO EVENT BE GREATER IN AMOUNT THAN THE PURCHASE PRICE OF THE RETURNED PRODUCTS. GLASTENDER WILL NOT BE LIABLE UNDER ANY CIRCUMSTANCE FOR CONSEQUENTIAL OR INCIDENTAL DAMAGES, INCLUDING, BUT NOT LIMITED TO, LABOR COSTS EXCEPT AS COVERED UNDER OUR WARRANTY, LOST PROFITS OR THE LOSS OF PERISHABLE PRODUCTS RESULTING FROM THE USE OF OR INABILITY TO USE OUR PRODUCTS OR FROM OUR PRODUCTS' INCORPORATION INTO OR BECOMING A COMPONENT OF ANY OTHER PRODUCT. NEITHER PARTY WILL HAVE ANY NEGLIGENCE OR OTHER TORT LIABILITY TO THE OTHER, OR TO ANY THIRD PARTY, ARISING FROM ANY BREACH OF THIS AGREEMENT.**

**GOVERNING LAW - JURISDICTION**

The terms and conditions of an order are to be governed and construed according to the laws of the State of Michigan, without regard to conflict of laws principles. Buyer hereby consents to the jurisdiction and venue of the courts located in Saginaw County, Michigan.

No representative, distributor, dealer, or any other person is authorized to modify this warranty. This warranty replaces all other written or verbal warranties.

**NOTE:** Glastender, Inc.'s policy of constant quality improvement means that prices, specifications, and policies are subject to change without notice. Questions regarding this warranty should be directed to Glastender's Warranty Administrator.

04-19-17

**IMPORTANT!!****Attention Service Companies**

Please review the important warranty information on this page. If you believe a service call should be covered by the factory, please call the factory for authorization between 8AM and 5PM EST, Monday through Friday.