

# Glastender®

www.glastender.com

Project: _____	AIA# _____
Item #: _____ Qty: _____	SIS# _____
Model #: _____	

## Juliette Towers



JT-3-MFR



JT-7-MFR

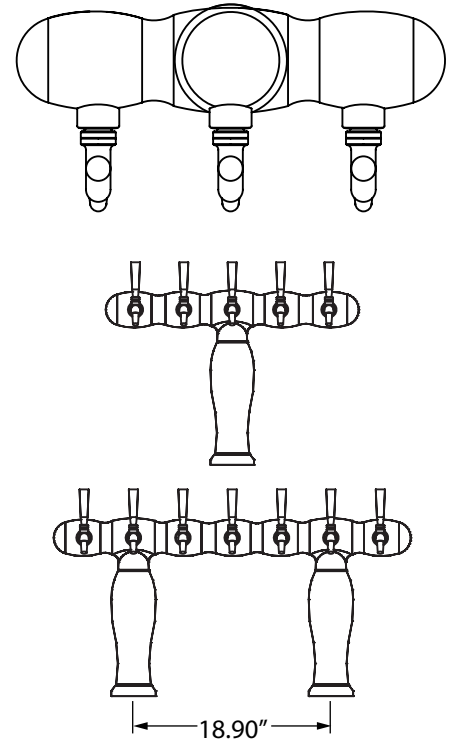
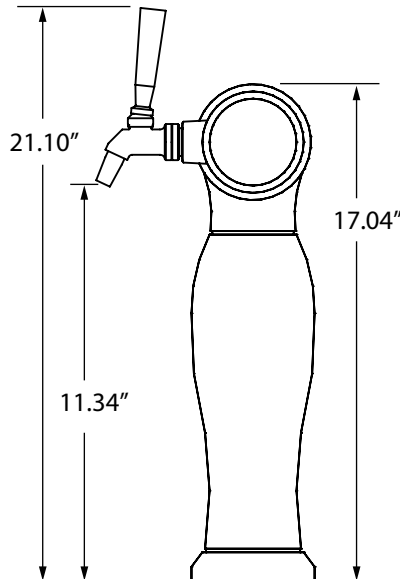
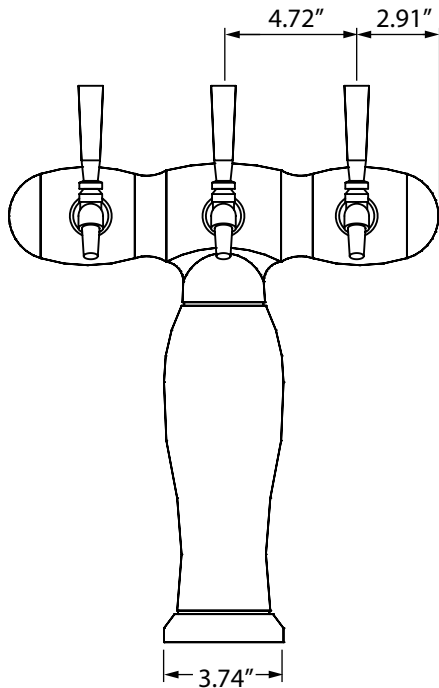
JT-\_\_-MFR

**Hardware Finish:**  
MFR = Chrome

**Size:**  
Specify the number of faucets from 3, 5, or 7

Towers supplied with US style stainless steel faucets.  
*NOTE: Faucet handles not included.*

### Dimensional Information



Glastender, Inc. • 5400 North Michigan Road • Saginaw, MI • 48604-9780  
989.752.4275 • 800.748.0423 • Fax 989.752.4444  
www.glastender.com

Approval/Notes:

Specifications subject to change without notice. For current specifications please visit our website.