

Project: _____	AIA# _____
Item #: _____ Qty: _____	SIS# _____
Model #: _____	

Backsplash Mount Faucet

03010100

(Body only - spout ordered separately)



Backsplash mount faucet shown with swing spout

Standard Features

- 1/4 turn ceramic cartridge valve
- Heavy-duty solid brass spout with double O-ring seal
- High precision machining and polished nickel chromium finish
- Color-coded handles
- Optional wrist blade handles available (specify accessory part number 03000511)
- Mounting kit included
- NSF/ANSI 61, Annex G low lead compliant



Specifications

- 4" on center backsplash mount with 1/2" NPSM to 3/8" copper tube adapters provided (mounts to 16 ga, .059" thickness)
- Rough in: Two 7/8" round holes on 4" centers
- Temperature range: 40°F to 140°F
- Flow rate: 2 GPM max. Optional water conserving aerators available. Specify accessory part number as follows:
 - 03014737 - Aerator, 0.2 GPM
 - 03014738 - Aerator, 0.5 GPM
 - 03014739 - Aerator, 1.5 GPM
- Pressure: 125 PSI max
- Shipping weight: 3 lbs.

Replacement Part Numbers

03010100 - Faucet body only, backsplash mount, low lead compliant

Replacement Spouts

03000468 - 6" swing

03002009 - 10" swing

03000470 - 18" double joint

Backsplash mount body and spout assemblies

03000463 - back faucet w/6" swing

03005754 - back faucet w/10" swing

03000465 - back faucet w/18" double joint

Glastender, Inc. • 5400 North Michigan Road • Saginaw, MI • 48604-9780
 989.752.4275 • 800.748.0423 • Fax 989.752.4444
 www.glastender.com

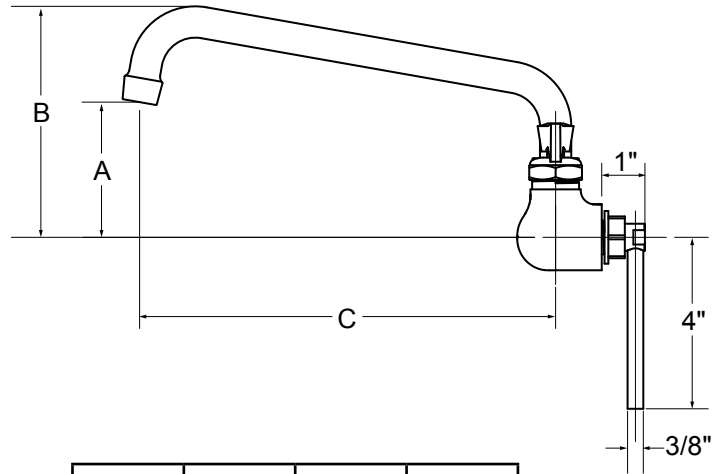
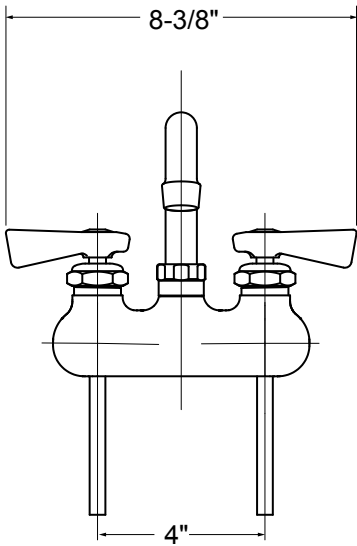
Approval/Notes:

Specifications subject to change without notice. For current specifications please visit our website.

Back Mount Faucet

Dimensional Information

Back with Swing



Spout	A	B	C
6"	2-1/2"	4-7/8"	6"
10"	3-1/4"	5-1/2"	10"

Back with Double Joint

