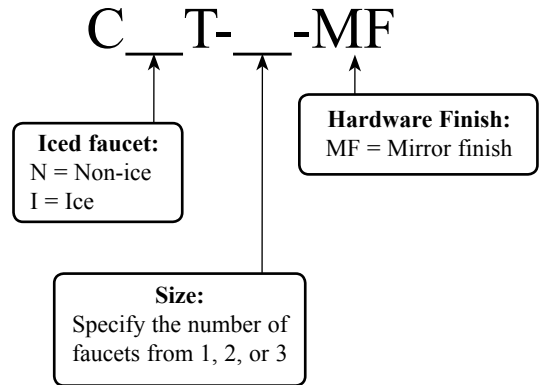


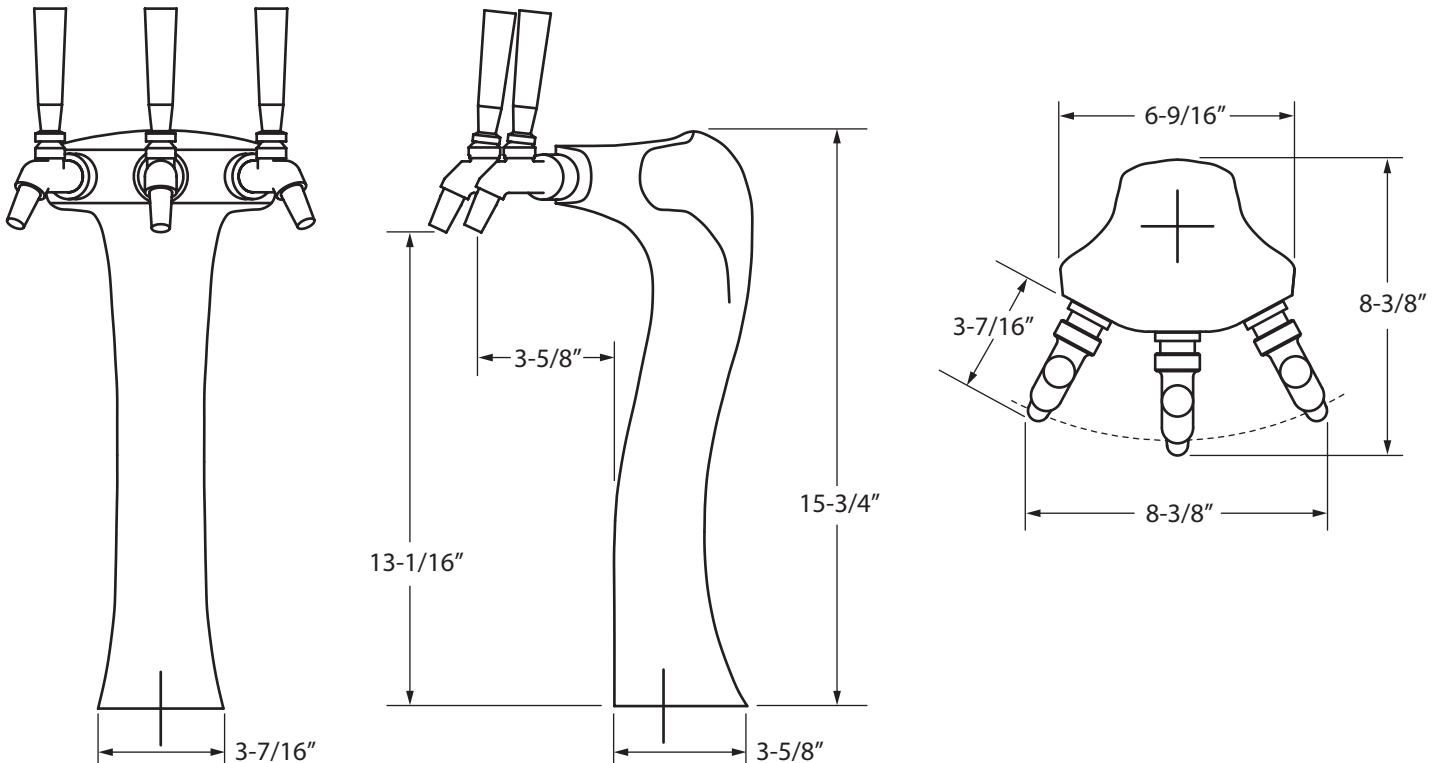
Project: _____	AIA# _____
Item #: _____ Qty: _____	SIS# _____
Model #: _____	

Cobra Towers



Towers supplied with US style stainless steel faucets.
NOTE: Faucet handles not included.

Dimensional Information



<p>Glastender, Inc. • 5400 North Michigan Road • Saginaw, MI • 48604-9780 989.752.4275 • 800.748.0423 • Fax 989.752.4444 www.glastender.com</p>	<p>Approval/Notes:</p>
--	------------------------

Specifications subject to change without notice. For current specifications please visit our website.