

Project: _____	AIA# _____
Item #: _____ Qty: _____	SIS# _____
Model #: _____	

## Black Forest Towers



BFT-3-PB-CL

Towers supplied with US style stainless steel faucets.  
*NOTE: Faucet handles not included.*

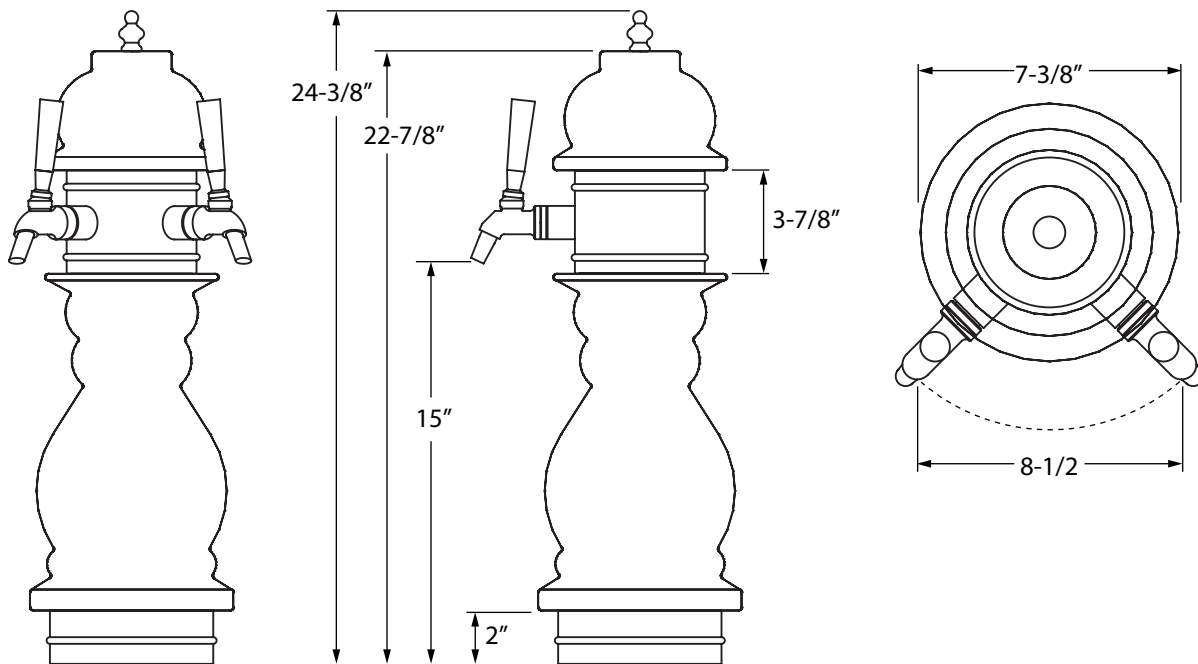
BFT- \_ - \_ - \_

**Size:**  
Specify the number of faucets from 2 or 3

**Hardware Finish:**  
MF = Mirror finish  
PB = Polished brass

**Ceramic Color:**  
CL = Clear (White)  
AB = Antique Brass  
BY = Bright Yellow  
SR = Strawberry Red  
MB = Midnight Blue  
BG = Burgundy  
EG = Emerald Green  
HG = Hunter Green  
BK = Black

### Dimensional Information



<p><b>Glastender, Inc.</b> • 5400 North Michigan Road • Saginaw, MI • 48604-9780          989.752.4275 • 800.748.0423 • Fax 989.752.4444          www.glastender.com</p>	<p>Approval/Notes:</p>
<p>Specifications subject to change without notice. For current specifications please visit our website.</p>	