

# Glastender®

A Family Company  
Manufacturing in the USA



Expect more  
*more flexibility*  
more features



**Bottle  
Disintegration  
System**

# Increase your cash flow by decreasing your trash flow

• UP TO •  
**85%**  
VOLUME  
REDUCTION

Glastender's Bottle Disintegration System reduces the volume of glass bottle waste by as much as 85%, lowering your disposal fees and paying for itself over time. The BDS unit is easy to use and crushes a bottle in mere seconds, while being no louder than a standard blender.



Multi-level baffle system on feed chute for safe operation and glass containment

Disintegrates beer, wine, and liquor bottles up to 4" in diameter and 14" in height



120V operation. Grounded cord and plug provided. Available for export with 220V/50Hz electrical.

Stainless steel interior and exterior resists corrosion and is easy to keep clean

The compact design fits easily under a bar or in a service station



Includes locking casters so unit can be easily moved for cleaning



Easy operation - simply turn it on and push a bottle down the feed chute.

Green indicator light illuminates when unit is running.

Red indicator light illuminates when a fault has occurred.



Closed door safety sensor prevents operation when front door is open



Bucket stop bar ensures bucket is fully seated when door is closed



Bucket seating safety sensor prevents operation when the bucket is not in place

Includes safety interlock switches



Bucket shown cut away for illustrative purposes



From this  
to this

• UP TO •  
**85%**  
VOLUME  
REDUCTION

The 4-gallon bucket weighs approximately 43 pounds and holds approximately 4 cases of disintegrated long neck beer bottles when full



**Intertek**  
4004503

Conforms to ANSI/UL STD 73  
Certified to CSA STD  
C22.2 No. 68

## Accessory

The BDS includes two buckets. Additional buckets may be ordered under accessory part number 14000053.

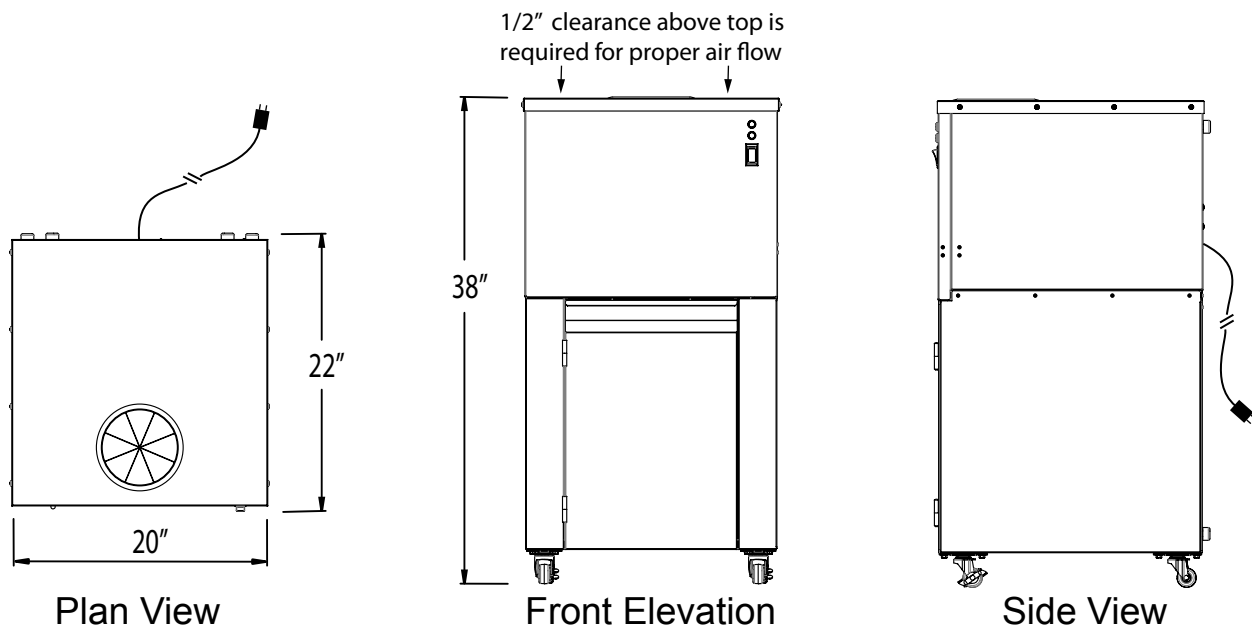


14000053

BDS with door open showing access to bucket



## Dimensional Information



## Specifications

### Electrical

- 120V, Single phase, 60Hz, 9-foot grounded cord included
- Dedicated 15 amp circuit recommended
- Power requirements - 9.0 amps
- Also available for export with 220V/50Hz electrical. Specify accessory number CE-BDS.

### Capacity

- The 4-gallon bucket weighs approximately 43 pounds and holds approximately 4 cases of disintegrated long neck beer bottles when full

### Materials

- 20 gauge stainless steel parts include: cabinet, covers
- 14 gauge stainless steel parts include: drum, shelf
- 1/4" steel plate: motor mount
- Hardened steel: crusher bar
- Structural pipe, SCH 40: bottle chute

### Service Access:

- Top cover, front top panel, and door must remain accessible for service
- One-half inch of clearance above top is required for proper air flow