

Operation Manual, Parts Directory, and Price List

Glastender®

A Family Company Manufacturing
In The USA Since 1969

ICE CREAM FREEZERS*

DI-FR, DI-FR-DW, DI-FR36, DI-FR36-FL, DI-FR36-DW, DI-FR36-DW-FL
FRA-24, FRA-36, FRB-24, FRB-36
FRM-2

***This manual is specific to Ice Cream Freezers
manufactured on March 15, 2017 and after**



Glastender, Inc. · 5400 North Michigan Road · Saginaw, MI · 48604-9780
800.748.0423 · 989.752.4275 · Fax 989.752.4444 · www.glastender.com



INDEX

Terms and Conditions	1	Uncrating and Start-Up Instructions.....	4
Warranty.....	2	Drop-In Model Installation Instructions	4
Utility Requirements and Connections.....	3	Replacement Parts.....	5-6
Operation.....	3	220V Replacement Parts.....	7
Cleaning Instructions	3	Wiring Diagram	7

IMPORTANT !! - Attention Service Companies

Please review the important warranty information on page 2 of this manual. If labor warranty applies, authorization must be obtained from the factory prior to the service being performed. Please call the factory between 8:00AM and 5:00PM EST, Monday through Friday.

TERMS AND CONDITIONS

PRICES:

All prices are LIST. Applicable taxes will be added.

QUOTATIONS:

Unless otherwise stated, quotations are effective for 30 days only.

ACCEPTANCE:

All orders are subject to acceptance by Glastender, Inc.'s headquarters in Saginaw, Michigan. Possession of the Product Directory and Price List is not an offer to sell.

SHIPMENTS:

F.O.B. factory in Saginaw, Michigan. Freight terms are Third Party or Collect if shipped directly to you. Prepay and Add to Invoice freight terms are available upon request. The approximate shipping weights of all products are listed with the prices. Partial shipments will be made unless otherwise specified by the customer. Surface freight classifications are:

- Glasswashers - Class 125
- All Underbar Equipment (including Bar Die) – Class 150
- Portable Bars - Class 150
- Remote refrigerators (i.e., no compressor) or dry storage back bar equipment - Class 125
- Self-contained refrigeration equipment - Class 150
- Ice Display Units (IDU and GDU) - Class 85
- Lighted Liquor Displays - Class 85
- Beer line chillers and beer towers (beverage dispensing equipment) - Class 92.5
- Bottle Disintegration System - Class 150
- Ice Cream Freezers - Class 77.5

All small items are evaluated to see the most cost effective means for shipment. Many small items ship via UPS or FedEx; however, when dimensional weight is excessive, LTL carriers are the most cost effective choice. Spare parts orders received before 1:00 PM EST can usually be shipped the same day.

The order department is happy to assist with routing or shipping questions.

PAYMENT TERMS:

Cash should be included with all orders unless credit terms have been arranged. To establish credit, banking and trade references are required. A convenient credit application is available upon request. Payment via credit card is not our normal means of receiving payment. Visa and

MasterCard will be accepted, but must be charged at the time of shipment. In addition, a payment via credit card for orders totaling more than \$500 will incur a 3% convenience fee on the total transaction amount.

DELIVERY:

The majority of equipment is manufactured to order and typically ships within three to six weeks after complete order information is received by the factory. In-stock equipment typically ships within two to three days of the factory receiving complete order information.

RETURNS:

Items specified as “Manufactured to Order” are NOT returnable.

A Return Authorization number must be issued by the factory in advance for any items that are returnable. The number MUST be noted on the outside of the returned package. Returns must be received within 90 days of the issue date. Shipping charges must be prepaid. A minimum 20% restocking charge will be applied to all authorized returns if received in new, unused condition in the original packaging.

The above conditions apply to spare part returns, except spare part returns must be received within 30 days of original shipment for electronic or electrical parts or within 90 days for all other parts.

LOSS OR DAMAGE:

For customer routed shipments, Glastender, Inc. is not responsible for any loss, damage, or delay of merchandise during shipment. Such transit claims must be filed with the carrier. Merchandise must be examined on arrival. If shortages occur, Glastender, Inc. must be notified in writing within five (5) days of delivery to honor any shortage claim. Glastender will assume responsibility for freight claims on Prepay and Add shipments but the customer must inspect freight and note any damage upon receipt. Failure to do so may result in losses at the customer's expense.

CUSTOM ORDERS:

Custom orders must be paid in advance and are not subject to cancellation.

LAMINATES:

Some products include common, readily available plastic laminates of the customer's selection. There may be an additional charge if uncommon varieties are ordered.

07/21/16

Visit our web site for current specification sheets, operations manuals, parts directories and price lists

WARRANTY STATEMENT

APPLICABLE TO ALL PRODUCTS SOLD WITHIN THE UNITED STATES AND CANADA

Glastender, Inc. warrants all products to be free of defects in material and workmanship. One-year labor and parts warranty applies to all glasswashers, self-contained refrigeration models, and BDS model bottle disintegration units. In established areas, a start up is included with GT-24 and GT-30 model glasswashers. Warranty is effective for one year from the date of installation or up to 18 months from date of factory shipment, whichever occurs sooner. Glastender, Inc. will replace any part or assembly found defective under normal use and service.

For warranty labor claims beyond 15 months from the date of factory shipment, proof of date of installation or occupancy must be provided. Authorization for labor must be obtained from Glastender within the warranty period and prior to the service being performed.

Labor warranty applies to the United States and Canada only.

Remote refrigeration models and beer line chillers include a one-year parts warranty only. There is no labor warranty on these products.

Field replacement parts not covered under the original warranty include a 90-day part warranty from the date of installation.

FOUR YEAR ADDITIONAL COMPRESSOR WARRANTY: Glastender will warrant to the original user the compressor for all self-contained refrigeration models for an additional four years following the regular one-year warranty period. This plan applies to the compressor only.

A completed warranty claim form **MUST** accompany all returned defective parts or assemblies. Upon request, a defective part or assembly must be returned to Glastender, Inc., Saginaw, Michigan, with all transportation and delivery charges prepaid. Warranty repairs or replacements will be shipped FOB factory in Saginaw, Michigan. Reimbursement for applicable freight charges covers ground service only.

Glastender provides in-warranty repairs during a service company's regular working days and hours. There is no provision for payment of a premium rate during "overtime" hours. When warranty service is requested during other than normal working hours, the end user will be charged the premium portion of the overtime rate.

The warranty covers substantiated travel expenses for up to 2 hours / 100 miles round trip up to a maximum of \$150. Any additional costs due to installations that require extra work, time, or travel to gain access for service are the sole responsibility of the equipment purchaser. Any exceptions to these travel and access limitations must be pre-approved by a factory representative.

The warranty does not cover door gaskets, chemical tubing, pump squeeze tubing, and/or any equipment subjected to accidents, freight damage, alterations from the original design, improper power and/or plumbing hookups, improper chemical use, general misuse, or lack of routine required maintenance as determined by Glastender, Inc. Installation, normal control adjustments, general maintenance, correcting an installation error, or service calls that reveal the unit is functioning normally will not be reimbursed under warranty.

Condenser coils on self-contained refrigeration products must be cleaned regularly. Failure to provide adequate air flow to a refrigeration unit will void the warranty.

Glastender shall not be liable for loss of use, revenue, or profit, or for any other indirect, incidental, special, or consequential damage including, but not limited to, product spoilage or loss.

This warranty is conditioned upon Glastender receiving notice of any defect subject to this warranty within sixty (60) days of its discovery by the end user or dealer. All products are warranted only for the initial place of installation. Removal of a product automatically terminates this warranty.

SECOND YEAR EXTENDED PARTS & LABOR WARRANTY:

Glastender's one-year parts and labor warranty on self-contained refrigeration units, excluding beer line chillers, can be extended to two years with the purchase of a two year parts and labor warranty. Specify part number EWR2 (\$150 net price) when ordering.

EXPORT WARRANTY - One year parts only.

EXCLUSION OF WARRANTIES

EXCEPT AS PROVIDED ABOVE, GLASTENDER MAKES NO WARRANTIES, EXPRESS OR IMPLIED, INCLUDING, BUT NOT LIMITED TO, ANY IMPLIED WARRANTY OF MERCHANTABILITY, FITNESS FOR A PARTICULAR PURPOSE OR NON-INFRINGEMENT.

LIMITATION OF REMEDIES AND DAMAGES

If Buyer makes a valid and timely claim as outlined above, Glastender's liability and Buyer's remedies under this agreement will be limited solely to labor charges authorized and/or replacement or credit, at Glastender's option, with respect to Products returned at Buyer's expense within thirty (30) days after warranty repair. GLASTENDER'S LIABILITY WILL IN NO EVENT BE GREATER IN AMOUNT THAN THE PURCHASE PRICE OF THE RETURNED PRODUCTS. GLASTENDER WILL NOT BE LIABLE UNDER ANY CIRCUMSTANCE FOR CONSEQUENTIAL OR INCIDENTAL DAMAGES, INCLUDING, BUT NOT LIMITED TO, LABOR COSTS EXCEPT AS COVERED UNDER OUR WARRANTY, LOST PROFITS OR THE LOSS OF PERISHABLE PRODUCTS RESULTING FROM THE USE OF OR INABILITY TO USE OUR PRODUCTS OR FROM OUR PRODUCTS' INCORPORATION INTO OR BECOMING A COMPONENT OF ANY OTHER PRODUCT. NEITHER PARTY WILL HAVE ANY NEGLIGENCE OR OTHER TORT LIABILITY TO THE OTHER, OR TO ANY THIRD PARTY, ARISING FROM ANY BREACH OF THIS AGREEMENT.

GOVERNING LAW - JURISDICTION

The terms and conditions of an order are to be governed and construed according to the laws of the State of Michigan, without regard to conflict of laws principles. Buyer hereby consents to the jurisdiction and venue of the courts located in Saginaw County, Michigan.

No representative, distributor, dealer, or any other person is authorized to modify this warranty. This warranty replaces all other written or verbal warranties.

NOTE: Glastender, Inc.'s policy of constant quality improvement means that prices, specifications, and policies are subject to change without notice. Questions regarding this warranty should be directed to Glastender's Warranty Administrator.

04-19-17

IMPORTANT!!

Attention Service Companies

Please review the important warranty information on this page. If you believe a service call should be covered by the factory, please call the factory for authorization between 8AM and 5PM EST, Monday through Friday.

INTRODUCTION

This manual describes the operation features of the Ice Cream Freezer. Please review this information before attempting installation and operation.

Long term, trouble-free operation will follow if good housekeeping and maintenance procedures are followed. Thank you for selecting Glastender, Inc. products.

UTILITY REQUIREMENTS AND CONNECTIONS

Electrical: 120 Volt AC, 1 Phase, 60 Hz. A dedicated 15 amp circuit is recommended. A 6-foot grounded cord is included.

- Plumbing:**
1. Without dipper well - none required.
 2. With dipper well-
 - Drain: 1-1/2" PVC tailpiece provided.
 - Water Supply: 3/8" chrome riser provided.

OPERATION

The Ice Cream Freezer is designed to store ice cream. The FRA-24, FRB-24, and DI-FR models hold one 3-gallon container and the FRA-36, FRB-36, and DI-FR36 models hold two 3-gallon containers. The operating temperature range is -5°F (-21°C) to 10°F (-12°C).

CLEANING INSTRUCTIONS

ESTIMATED CLEANING TIME: 5 to 10 minutes per unit daily.

FREQUENCY: Daily cleaning of exterior & door gaskets. Interior thawing and cleaning as necessary.

PROCEDURE:

1. A non-chlorine based cleaner or mild detergent and warm water applied with a soft cloth or sponge to all contact surfaces.
2. Immediately rinse off cleaning agent(s), using clean warm water, clean soft cloth or sponge.
3. Dry with a soft clean cloth, removing standing water as soon as possible.

NOTES:

1. Never use hydrochloric acid, wire brushes, steel wool, scrapers, or chlorine based cleaners on stainless steel surfaces, since they will break down the passivity layer and allow corrosion to occur.
2. On stainless steel surfaces, you may use a soft bristle brush or Scotch-Brite® pad for more stubborn stains. Always scrub with the direction of the grain. Follow with a thorough cleaning as described above.
3. Deposits from food preparation must be properly removed. Even hard water deposits will rust stainless steel, if not removed.
4. Door gaskets are most often overlooked when cleaning. Failure to clean them regularly will lead to premature failure, since alcohol, debris, and moisture build-up breaks down the gasket material.
5. When excess frost builds up on the interior liner, store ice cream in the kitchen freezer and unplug the unit for the night. First thing the next morning, clean the interior, using a sponge to soak up excess moisture.
6. NEVER use a pick or sharp object to remove frost from the interior liner.

UNCRATING AND START-UP INSTRUCTIONS

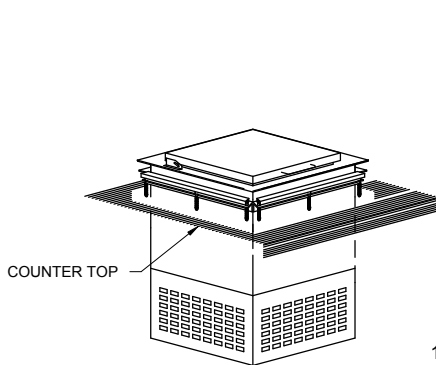
Ice Cream Freezer models are shipped in one carton. These steps should be followed:

1. If legs are included, bolt them to the base with bolts provided.
2. Unwrap power cord.
3. Position unit and level.
4. Plug into 120 volt AC outlet.
5. Your Glastender equipment is now ready for use.

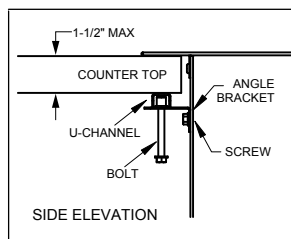
DROP-IN MODEL INSTALLATION INSTRUCTIONS

PLAN VIEWS

CUT-OUT DIMENSION 14-3/4" X 14-3/4"	CUT-OUT DIMENSION 22-3/4" X 14-3/4"	CUT-OUT DIMENSION 24-3/4" X 14-3/4"	CUT-OUT DIMENSION 32-3/4" X 14-3/4"
DI-FR	DI-FR-DW	DI-FR36 DI-FR36-FL	DI-FR36-DW DI-FR36-DW-FL



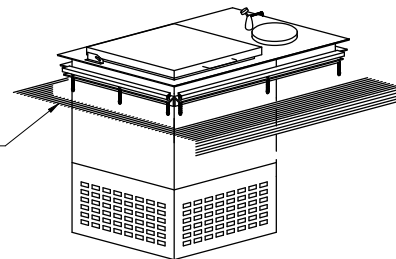
DI-FR



INSTALLATION INSTRUCTIONS*

1. Remove angle brackets from drop-in ice cream freezer.
2. Place freezer into appropriate size cut-out for specific model number used.
3. Replace angle brackets, firmly tighten screws.
4. Place U-channels on top of bolts.
5. Tighten each bolt evenly along U-channels.
6. Seal as necessary.

*Provided hardware allows for unit to be removable as necessary



DI-FR-DW

NOTE: THIS UNIT REQUIRES PROPER VENTILATION. AIR FLOW RESTRICTIONS AND/OR LACK OF VENTILATION OF CABINET SPACE WILL CAUSE COMPRESSOR FAILURE AND WILL VOID WARRANTY. CONDENSER NEEDS 150 CFM OF SUPPLY AIR TO MAINTAIN PROPER OPERATION.

REPLACEMENT PARTS



REPLACEMENT PARTS

<u>PART NO.</u>	<u>DESCRIPTION</u>	<u>PRICE</u>
1. 04000105	Compressor, 1/5HP, R404A (prior to 03/15/17)	\$470.00
04000315	Compressor, R404A, 115V, 60Hz (03/15/17 and after)	435.00
04000306	Start component kit (03/15/17 and after)	55.00
2. 04000241	Start relay (prior to 01/22/2014 SN 404148514)	33.00
04000308	Relay, 1/5HP, 120V, R404A Tecumseh compressor (from 01/22/2014 SN 404148514 to 03/14/17)	15.00
3. 04000120	Start capacitor (prior to 01/22/2014 SN 404148514)	18.00
04000310	Start capacitor, 1/5HP, 120V, R404A Tecumseh compressor (from 01/22/2014 SN 404148514 to 03/14/17)	25.00
4. 04000121	Overload (prior to 01/22/2014 SN 404148514)	10.00
04000309	Overload, 1/5HP, 120V, R404A Tecumseh compressor (from 01/22/2014 SN 404148514 to 03/14/17)	9.00
5. 06001445	Fan motor	45.00
6. 06001395	Fan blade	5.00
7. 07000133	Fan motor bracket (prior to 03/15/17)	20.00
04000372	Fan motor bracket (03/15/17 and after)	14.00
8. 04000100	Condenser coil (prior to 03/15/17)	130.00
11000080	Condenser coil (03/15/17 and after)	225.00
9. 06001385	Filter dryer, 1/4" x 1/4" (prior to 03/15/17)	20.00
06010023	Filter drier, receiver, combo (03/15/17 and after)	40.00
10. 04000428	Hinged lid assembly, freezer, 24"	114.00
11. 04000429	Hinged lid assembly, freezer, 36"	138.00
12. 04000430	Flip lid assembly	162.00
13. 04000091	Single door gasket, 11-15/16" x 11-15/16"	18.00
04000092	Double door gasket, 21-15/16" x 11-15/16"	20.00
04000093	Flip lid gasket (two required), 11-7/8" x 11-1/32"	18.00
14. 04000500	Breaker strip, four pieces, 24" freezer (SN 404099008X and greater)	25.00
04000118	Breaker strip, four pieces, single unit, models FRA-24, FRB-24, DI-FR, and DI-FR-DW (manufactured from 4/96 to 3/06)	25.00
04000501	Breaker strip, four pieces, 36" freezer (SN 404099008X and greater)	30.00
04000119	Breaker strip, four pieces, double unit, models FRA-36, FRB-36, DI-FR36, DI-FR36-DW, DI-FR36-FL, and DI-FR36-DW-FL (manufactured 4/96 to 3/06)	30.00
15. 04000104	Dipper well faucet	125.00
16. 04000112	6" diameter stainless strainer	115.00
17. 04000265	Thermostat, freezer, 9530N1492, replacement	55.00
18. 04000126	Bracket, freezer lid cover, set of 2	25.00
04000124	Cap tube (.036 x 96")	20.00
06009200	Expansion valve	102.00
07000599	Replacement power cord assembly, includes (06001572, 01000669, 06009527)	40.00

220 VOLT 50 HZ REPLACEMENT PARTS

<u>PART No.</u>	<u>DESCRIPTION</u>	<u>PRICE</u>
04000106	Compressor, 1/5HP, 230/1/50, R404A (prior to 03/15/17)	\$555.00
04000409	Compressor, R404A, 220V, 60Hz (03/15/17 and after)	
04000242	Start capacitor, 1/5HP, 230/1/50, Tecumseh compressor AEA2380ZXC (04000106) (prior to 03/15/17)	25.00
04000244	Overload Protector, 1/5HP, 230/1/50 Tecumseh compressor (04000106) (prior to 03/15/17)	21.00
06001415	Relay 1/5HP R22, 230/1/50V Tecumseh, model AEA2380ZXC (04000106) (prior to 03/15/17)	19.00
06001448	Motor, evaporator fan, 220V	57.00

WIRING DIAGRAM

