

# GT-18 WIRING DIAGRAM

## PRE 08-2006

### ELECTRICAL RATINGS

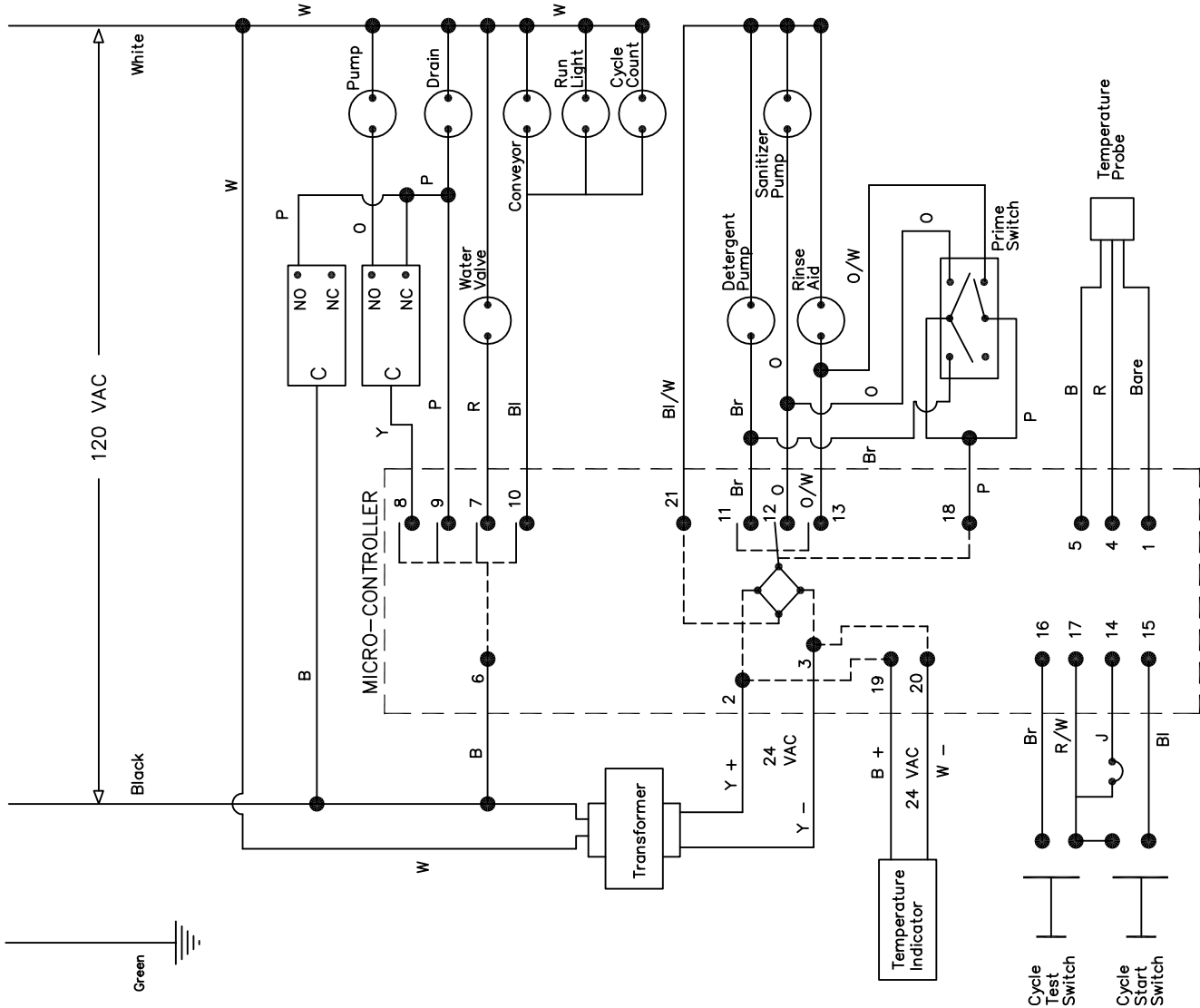
Recirculating Pump Motor	1/12 HP, 2.7A
Drive Motor	1/140 HP, 0.48A
Water Inlet Valve	85mA
Detergent Pump Drive Motor	.2A
Sanitizer Pump Drive Motor	.2A
Rinse Aid Pump Drive Motor	.2A
Cycle Timer Motor	.02A
Drain Motor	1/140 HP, 0.48A
<b>Total Amps</b>	<b>4.4</b>

### RECOMMENDED SERVICE

120V, Single Phase, 60Hz, 15 Amp

### LEGEND

- B = Black
- Bl = Blue
- Br = Brown
- G = Green
- O = Orange
- P = Purple
- R = Red
- W = White
- Y = Yellow
- J = Jumper
- Bl/W = Blue W/White
- R/W = Red W/White
- O/W = Orange W/White



# GT-18+3 WIRING DIAGRAM

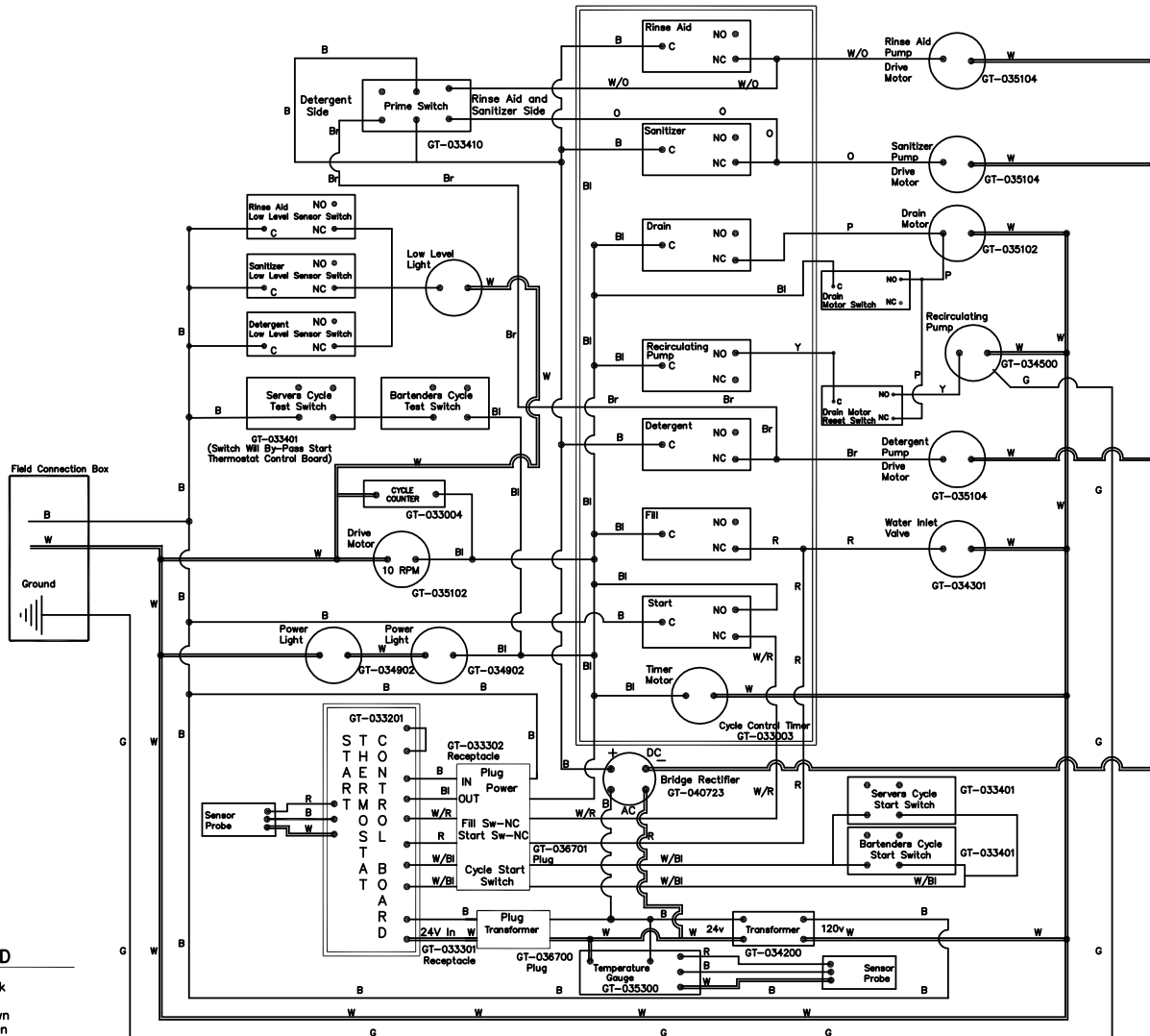
## PRE 08-2006



### ELECTRICAL RATINGS

Recirculating Pump motor	1/12 HP, 2.7A	Sanitizer Pump Drive Motor	.2A
Drive Motor	1/140 HP, 0.48A	Rinse Aid Pump Drive Motor	.2A
Water Inlet Valve	85mA	Cycle Timer Motor	.02A
Detergent Pump Drive Motor	.2A	Drain Motor	1/140 HP, 0.48A

120V, Single Phase, 60Hz, 3 wire  
15 Amp.



### LEGEND

- B = Black
- BI = Blue
- Br = Brown
- G = Green
- O = Orange
- P = Purple
- R = Red
- W = White
- Y = Yellow
- W/BI = White W/Blue
- W/R = White W/Red
- W/O = White W/Orange

# GT-18 WITH EXPORT TRANSFORMER WIRING DIAGRAM

PRE 08-2006

**ELECTRICAL RATINGS**

Recirculating Pump Motor	1/12 HP, 2.7A
Drive Motor	1/140 HP, 0.48A
Water Inlet Valve	85mA
Detergent Pump Drive Motor	.2A
Sanitizer Pump Drive Motor	.2A
Rinse Aid Pump Drive Motor	.02A
Cycle Timer Motor	1/140 HP, 0.48A
Drain Motor	

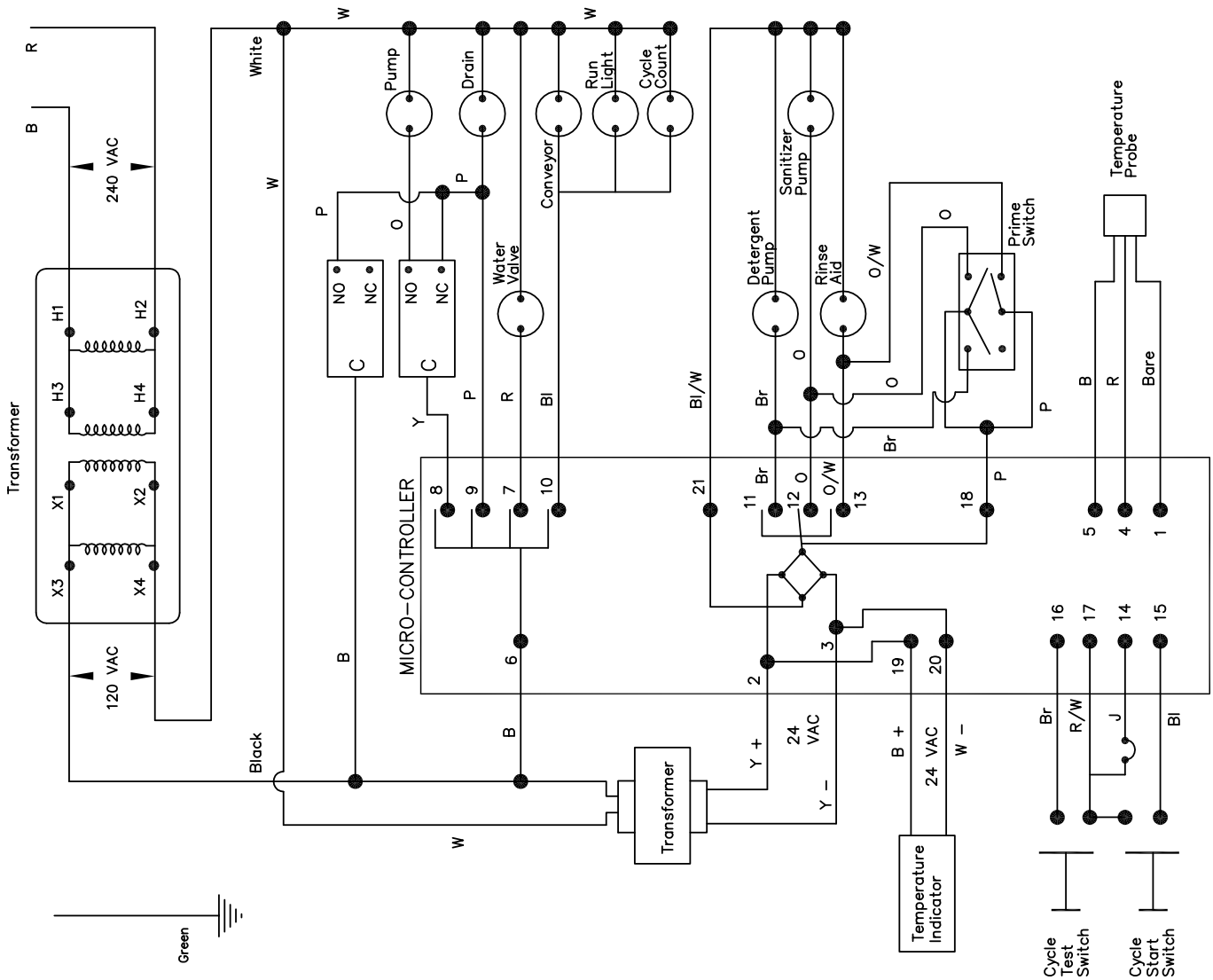
Total Amps 4.4

**RECOMMENDED SERVICE**

120V, Single Phase, 60Hz, 15 Amp

**LEGEND**

- B = Black
- Bl = Blue
- Br = Brown
- G = Green
- O = Orange
- P = Purple
- R = Red
- W = White
- Y = Yellow
- J = Jumper
- Bl/W = Blue W/White
- R/W = Red W/White
- O/W = Orange W/White



# GT-18 WITH CHEMICAL ALARM WIRING DIAGRAM

## PRE 08-2006

**ELECTRICAL RATINGS**

Recirculating Pump Motor	1/12 HP, 2.7A
Drive Motor	1/140 HP, 0.48A
Water Inlet Valve	85ma
Detergent Pump Drive Motor	.2A
Sanitizer Pump Drive Motor	.2A
Rinse Aid Pump Drive Motor	.2A
Cycle Timer Motor	.02A
Drain Motor	1/140 HP, 0.48A
<b>Total Amps</b>	<b>4.4</b>

**RECOMMENDED SERVICE**

120V, Single Phase, 60Hz, 15 Amp

**LEGEND**

B	=	Black
Bl	=	Blue
Br	=	Brown
G	=	Green
O	=	Orange
P	=	Purple
R	=	Red
Y	=	Yellow
J	=	Jumper
Bl/W	=	Blue W/White
R/W	=	Red W/White
O/W	=	Orange W/White
W/R	=	White W/Red
Br/W	=	Brown W/White

