

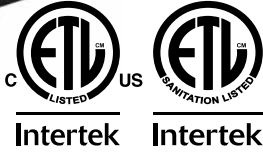


A family company manufacturing in the USA

www.glastender.com



CS1RB40 with refrigeration hook-up left, black vinyl-clad doors, and stainless steel top



4004503  
 Conforms to NSF/ANSI STD 7 and UL STD 471  
 Certified to CSA STD C22.2 No. 120  
 Listed to NSF Standard 7 for open food storage

**Standard Features**

- Remote unit
- All stainless steel interior with radius corners is easy to keep clean
- Locking doors
- LED interior lighting
- Heated mullion to minimize condensation
- Available without a finished top for integrated installation below customer supplied bar top
- 180° swinging doors
- Leg sockets recessed into base
- Stainless steel evaporator housing with separate removable evaporator drain pan

**Specifications**

*Electrical*

- 120V, 1 phase, 60 Hz, 1.5A full load amps
- Dedicated 15 amp circuit is required
- 14 gauge wire connection is made inside the cooler next to evaporator housing - interior access is through one of the 3/4" side knock-out holes (electrician's choice)

*Refrigeration*

- R134a, R404A, R448A, R449A, R422A, R452A, R513A, R407A, R407F, R445A, or R450A expansion valve & temperature control included. Specify type required when ordering.
- Refrigeration system capacity requirements\*:  
 CS1RB40 - 975 BTU/hr  
 CS1RB60 - 1250 BTU/hr  
 CS1RB80 - 1550 BTU/hr
- \* BTU/hr design loads are figured assuming 85° F ambient, 15° F evaporator temperature, all glass doors, maximum internal loading, and average compressor cycling. No solar heat gain has been accounted for.
- All refrigeration hookups are made at the installation site

Project: _____	AIA# _____
Item #: _____ Qty: _____	SIS# _____
Model #: _____	

**Coolers**  
**Shallow Depth, One Zone,**  
**Remote, Bar Profile**

CS1RB40, CS1RB60, CS1RB80

**CS1RB Configurable Options**

*Temperature:*

- Beer/Food - 34°F to 40°F
- White wine - 50°F to 55°F
- Red wine - 60°F to 65°F

*Expansion Valve Type:*

- R134a/R513A
- R404A/R422A
- R448A/R452A
- R449A
- R407A R407F
- R445A/R450A

*Refrigeration Hook-Up Location:*

- Left or Right

*Door Style & Finish:*

- Door - Black vinyl-clad
- Door - Unlaminated
- Door - Stainless steel
- Door - Jeweled stainless
- Door - Laminated
- Door - Glass, black vinyl-clad
- Door - Glass, stainless steel
- Door - Glass, jeweled stainless
- Door - Glass, laminated

*Door Hinge Location (specify for each door):*

- Left or Right

*Door Handle:*

- Polished stainless
- Polished brass
- Stainless pull tab

*Top Style:*

- No finished top
- Stainless top
- Laminated top

*Left and Right Side Finish:*

- Black vinyl-clad
- Stainless steel
- Laminated

*Back Finish:*

- Galvanized steel
- Stainless steel

*LED Lighting Style:*

- Bright white (7,000k)
- Warm white (3,500k)
- Amber (2,700k)
- Blue

See our Product Directory for a complete list of cooler accessories.

*Plumbing*

- A six foot length of 1/2" ID by 5/8" OD plastic tubing is provided to drain condensate. The tubing should exit through one of the 3/4" side knock-out holes (installer's choice). The maximum drainage is one ounce per hour - consult local codes for compliance - a floor drain may be required

*Shelving*

- Two adjustable stainless steel shelves per door included

*Materials*

- Stainless steel parts include: interior, front of cabinet, shelves, hinges, hinge and lock brackets, and optional legs
- Black vinyl-clad steel parts include: standard sides and doors
- Galvanized steel parts include: exterior sub-top, back and bottom
- Zinc plated CR steel parts include: leg sockets

*Weight Bearing Capacity*

- Counter tops and other accessories should not exceed 500 pounds per door

Glastender, Inc. • 5400 N Michigan Rd • Saginaw, MI • 48604-9780 989.752.4275 • 800.748.0423 • Fax 989.752.4444 www.glastender.com	Approval/Notes:
--	-----------------

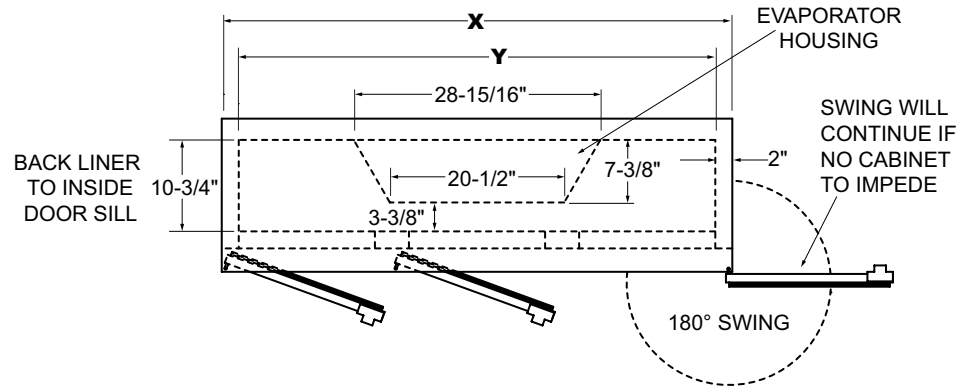
Specifications subject to change without notice. For current specifications please visit our website.

# Coolers - Shallow Depth, One Zone, Remote, Bar Profile

## Dimensional Information

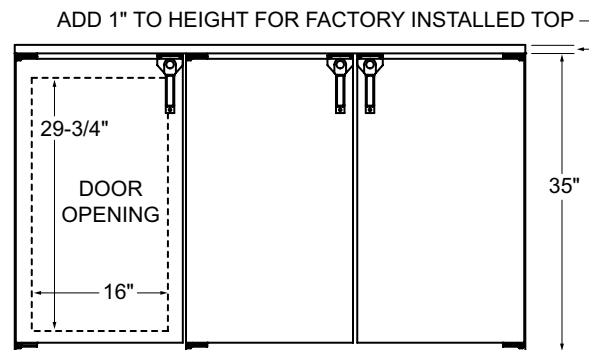
Note: Available with refrigeration hook-up location left or right.

### PLAN VIEW



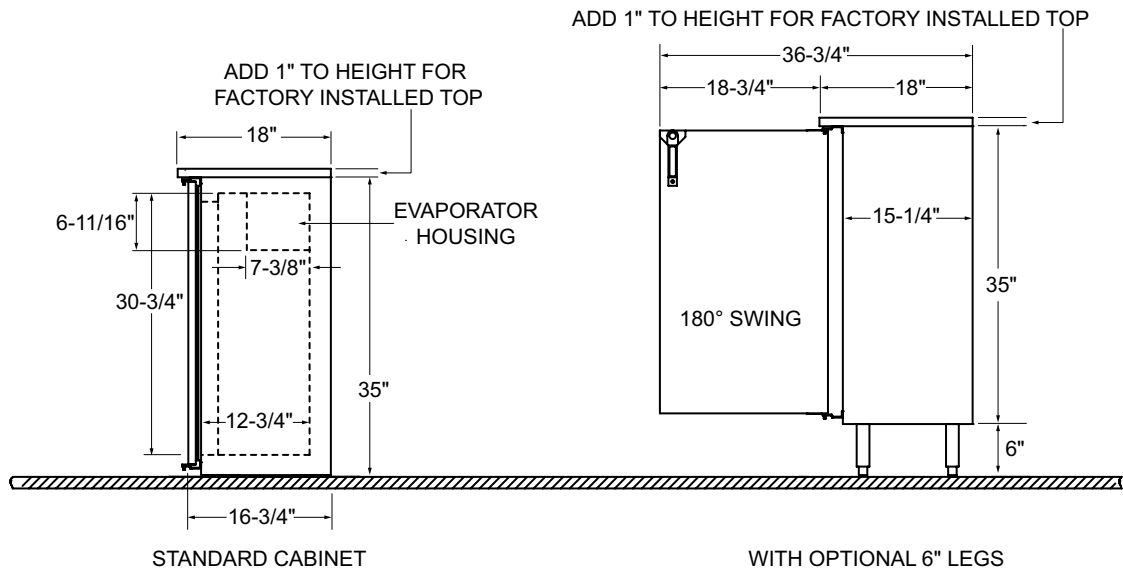
Model	X	Y	Doors
CS1RB40	40"	36"	2
CS1RB60	60"	56"	3
CS1RB80	80"	76"	4

### FRONT VIEW



Model	Capacities	
	12 oz. bottles, cases	750 ml wine bottles
CS1RB40	7.1	66
CS1RB60	11.8	110
CS1RB80	16.4	152

### SIDE VIEWS



5400 N Michigan Rd • Saginaw, MI • 48604-9780  
 989.752.4275 • 800.748.0423 • Fax 989.752.4444  
 www.glastender.com