



A family company manufacturing in the USA

www.glastender.com



CP1RL48
with refrigeration hook-up
left, black vinyl-clad doors,
and laminated top

Standard Features

- Remote unit
- All stainless steel interior with radius corners is easy to keep clean
- Locking doors
- LED interior lighting
- Heated mullion to minimize condensation
- Available without a finished top for integrated installation below customer supplied bar top
- 180° swinging doors
- Leg sockets recessed into base
- Stainless steel evaporator housing with separate removable evaporator drain pan

Specifications

Electrical

- 120V, 1 phase, 60 Hz, 1.5A full load amps
- Dedicated 15 amp circuit is required
- 14 gauge wire connection is made inside the cooler next to evaporator housing - interior access is through one of the 3/4" side knock-out holes (electrician's choice)

Refrigeration

- R134a, R404A, R448A, R449A, R422A, R452A, R513A, R407A, R407F, R445A, or R450A expansion valve & temperature control included. Specify type required when ordering.
- Refrigeration system capacity requirements*: CP1RL24 - 850 BTU/hr, CP1RL40, CP1RL48 - 1,600 BTU/hr, CP1RL60, CP1RL72 - 2,000 BTU/hr
- * BTU/hr design loads are figured assuming 85° F ambient, 15° F evaporator temperature, all glass doors, maximum internal loading, and average compressor cycling. No solar heat gain has been accounted for.
- All refrigeration hookups are made at the installation site

Project: _____	AIA# _____
Item #: _____ Qty: _____	SIS# _____
Model #: _____	

Coolers

Pass-Thru, One Zone, Remote, Low Profile

CP1RB24, CP1RB40, CP1RB48,
CP1RB60, CP1RB72

CP1RL Configurable Options

Temperature:

- Beer/Food - 34°F to 40°F
- White wine - 50°F to 55°F
- Red wine - 60°F to 65°F

Expansion Valve Type:

- R134a/R513A
- R404A/R422A
- R448A/R452A
- R449A
- R407A R407F
- R445A/R450A

Refrigeration Hook-Up Location:

- Left or Right

Door Style & Finish:

- Door - Black vinyl-clad
- Door - Unlaminated
- Door - Stainless steel
- Door - Jeweled stainless
- Door - Laminated
- Door - Glass, black vinyl-clad
- Door - Glass, stainless steel
- Door - Glass, jeweled stainless
- Door - Glass, laminated

Door Hinge Location (specify for each door):

- Left or Right

Door Handle:

- Polished stainless
- Polished brass
- Stainless pull tab

Top Style:

- No finished top
- Stainless top
- Laminated top

Left and Right Side Finish:

- Black vinyl-clad
- Stainless steel
- Laminated

LED Lighting Style:

- Bright white (7,000k)
- Warm white (3,500k)
- Amber (2,700k)
- Blue

See our Product Directory for a complete list of cooler accessories.



4004503
Conforms to NSF/ANSI STD 7
and UL STD 471
Certified to CSA STD C22.2 No. 120
Meets NSF 7 requirements for open
food storage

Glastender, Inc. • 5400 N Michigan Rd • Saginaw, MI • 48604-9780
989.752.4275 • 800.748.0423 • Fax 989.752.4444
www.glastender.com

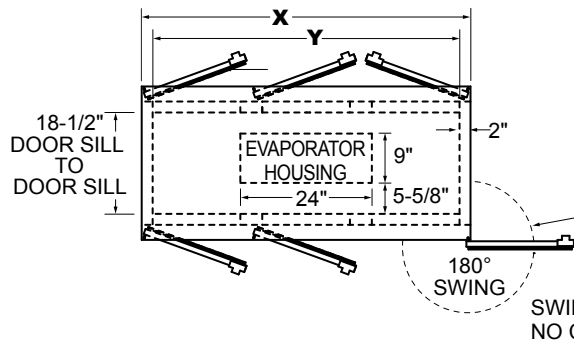
Approval/Notes:

Specifications subject to change without notice. For current specifications please visit our website.

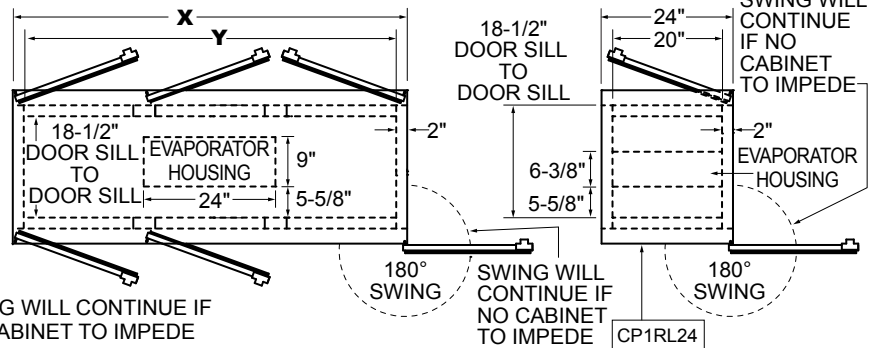
Coolers - Pass-Thru, One Zone, Remote, Low Profile

Dimensional Information

PLAN VIEW 16" DOOR OPENING

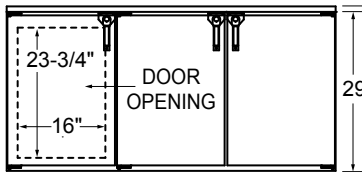


PLAN VIEW 20" DOOR OPENING



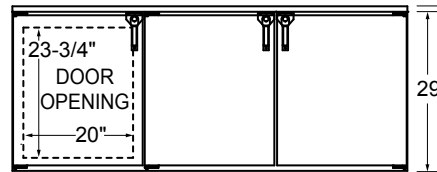
FRONT VIEW 16" DOOR OPENING

ADD 1" TO HEIGHT FOR FACTORY INSTALLED TOP



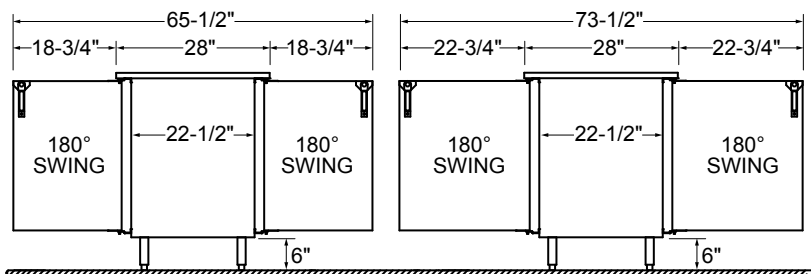
FRONT VIEW 20" DOOR OPENING

ADD 1" TO HEIGHT FOR FACTORY INSTALLED TOP



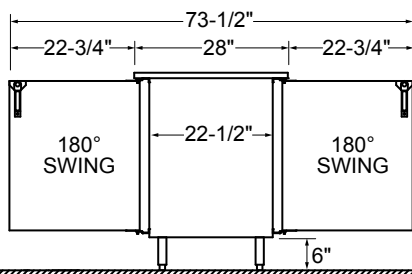
CP1RL24

SIDE VIEW
16" DOOR OPENING



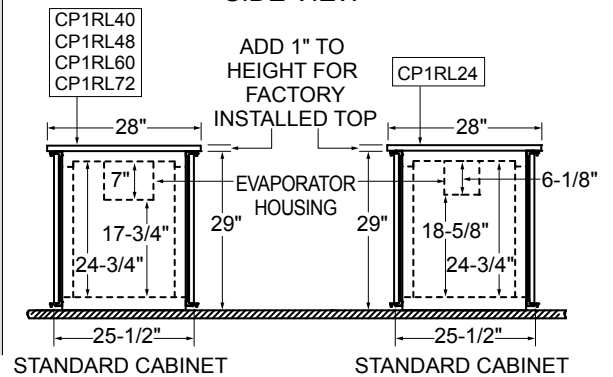
WITH OPTIONAL 6" LEGS

SIDE VIEW
20" DOOR OPENING



WITH OPTIONAL 6" LEGS

SIDE VIEW



STANDARD CABINET

STANDARD CABINET

Note: Available with refrigeration hook-up location left or right.

16" Door Opening Models	X	Y	DOORS	Capacities	
				12 oz. bottles, cases	750ml wine bottles
CP1RL40	40"	36"	4	8.2	66
CP1RL60	60"	56"	6	13.8	106

20" Door Opening Models	X	Y	DOORS	Capacities	
				12 oz. bottles, cases	750ml wine bottles
CP1RL24	24"	20"	2	4.7	42
CP1RL48	48"	44"	4	11.8	90
CP1RL72	72"	68"	6	18.3	137



5400 N Michigan Rd • Saginaw, MI • 48604-9780
989.752.4275 • 800.748.0423 • Fax 989.752.4444
www.glastender.com

Printed in USA