

# Glastender®

A family company manufacturing in the USA

www.glastender.com



C2SB48 with compressor left, stainless drawers, and stainless top



Intertek Intertek

4004503

Conforms to NSF/ANSI STD 7 and UL STD 471

Certified to CSA STD C22.2 No. 120

\*Listed to NSF Standard 7 for closed container products.

## Standard Features

- Available in three configurations: beer and white wine, beer and red wine, or white wine and red wine
- The two temperature zones are independently controlled
- The warmer zone is always a single door and located opposite the compressor end Locking door(s) (drawers sections do not lock)
- LED interior lighting
- Heated mullion to minimize condensation
- Any door opening may be converted to a drawer section or to draft dispensing
- Available without a finished top for integrated installation below customer supplied bar top
- 180° swinging door

## Specifications

### Electrical

- 120V, 1 phase, 60 Hz
- Full load amps - 2.75
- Dedicated 15 amp circuit is required
- Includes a 6 foot NEMA 5-15P grounded cord and plug which exits the back of refrigeration compartment

### Refrigeration

- R290 - 105 grams
- Compressor - 1/8 HP
- Heat rejection - 1126 BTU/Hr

### Operating Range

- Beer compartment: 34°F (1°C) to 40°F (4°C)
- White wine compartment: 50°F (10°C) to 55°F (13°C)
- Red wine compartment: 60°F (16°C) to 65°F (18°C)



Project: _____	AIA# _____
Item #: _____ Qty: _____	SIS# _____
Model #: _____	

## Coolers, Two Zone, Side Serviced, Bar Profile

C2SB36, C2SB44, C2SB48

## C2SB Configurable Options

### Temperature:

- Beer/White wine - 34°F to 40°F / 50°F to 55°F
- Beer/Red wine - 34°F to 40°F / 60°F to 65°F
- White/Red wine - 50°F to 55°F / 60°F to 65°F

### Refrigeration Compartment

#### Location:

- Left or Right

### Refrigeration Compartment

#### Cover Finish:

- Black vinyl-clad
- Stainless steel
- Jeweled stainless

### Door/Drawer Style & Finish:

- Door - Black vinyl-clad
- Door - Unlaminated
- Door - Stainless steel
- Door - Jeweled stainless
- Door - Laminated
- Door - Glass, black vinyl-clad
- Door - Glass, stainless steel
- Door - Glass, jeweled stainless
- Door - Glass, laminated
- Drawers - Black vinyl-clad
- Drawers - Stainless steel
- Drawers - Jeweled stainless
- Drawers - Laminated

### Door Hinge Location (specify for each door):

- Left or Right

### Shelving (specify per door section):

- Three adjustable shelves
- Keg rack

### Door Handle:

(Note: drawers come with a stainless pull tab handle and no lock)

- Polished stainless
- Polished brass
- Stainless pull tab

### Top Style:

- No finished top
- Stainless top
- Laminated top

### Left and Right Side Finish:

- Black vinyl-clad
- Stainless steel
- Laminated

### Back Finish:

- Galvanized steel
- Stainless steel

### LED Lighting Style:

- Bright white (7,000k)
- Warm white (3,500k)
- Amber (2,700k)
- Blue

See our Product Directory for a complete list of cooler accessories.

Glastender, Inc. • 5400 N Michigan Rd • Saginaw, MI • 48604-9780  
989.752.4275 • 800.748.0423 • Fax 989.752.4444  
www.glastender.com

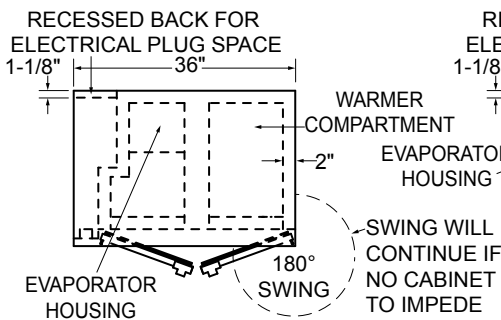
Approval/Notes:

Specifications subject to change without notice. For current specifications please visit our website.

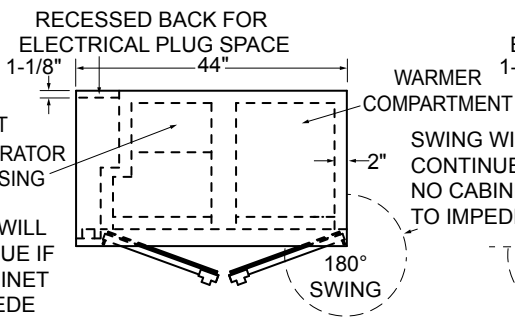
# Coolers - Two Zone, Side Serviced, Bar Profile

## Dimensional Information

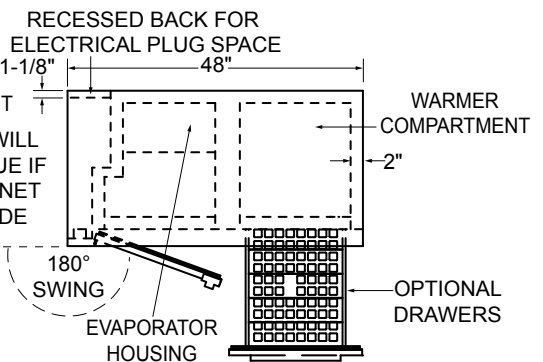
PLAN VIEW 12" DOOR OPENING



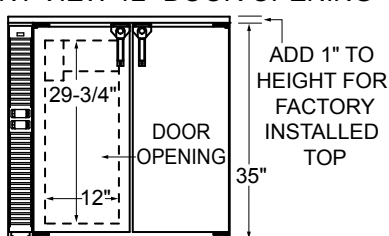
PLAN VIEW 16" DOOR OPENING



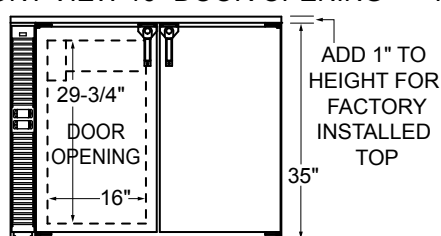
PLAN VIEW 18" DOOR OPENING



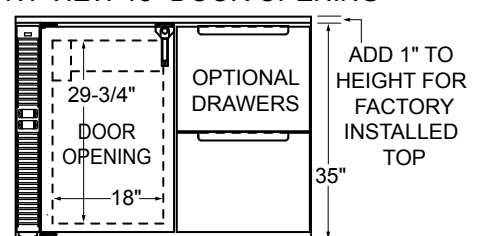
FRONT VIEW 12" DOOR OPENING



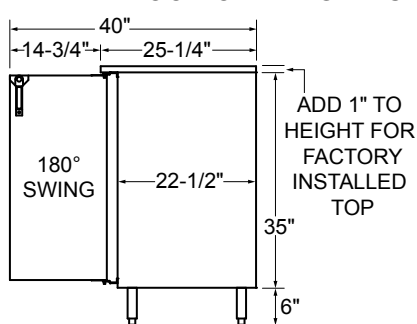
FRONT VIEW 16" DOOR OPENING



FRONT VIEW 18" DOOR OPENING

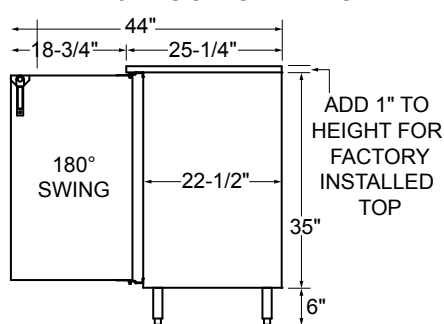


SIDE VIEW 12" DOOR OPENING



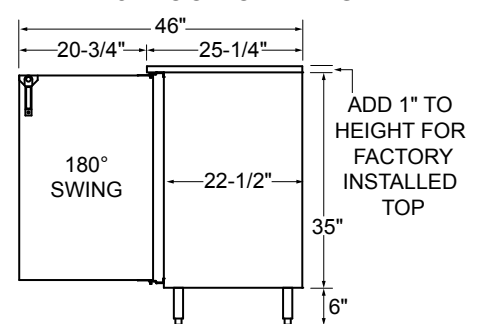
WITH OPTIONAL 6" LEGS

SIDE VIEW 16" DOOR OPENING



WITH OPTIONAL 6" LEGS

SIDE VIEW 18" DOOR OPENING



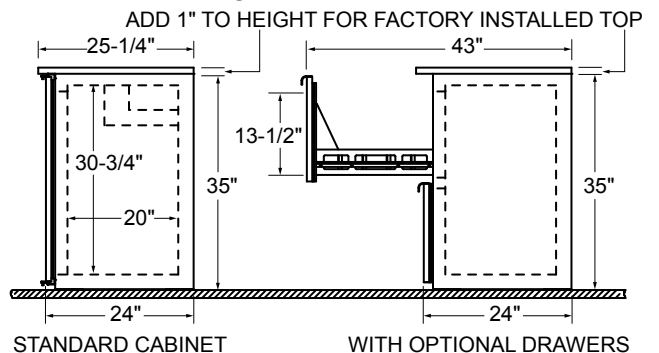
WITH OPTIONAL 6" LEGS

Note: Available with compressor left or right. Compressor left model shown.

Model	DOORS	Capacities			
		12 oz. bottles, cases	750ml wine bottles*	1/2 barrel kegs	1/6 barrel kegs
C2SB36	2	6.5	72	N/A	4
C2SB44	2	9.7	120	N/A	4
C2SB48	2	12.5	120	2	6

\*Drawer units hold up to 40 wine bottles per 20" section and up to 60 wine bottles per 24" section

SIDE VIEW



STANDARD CABINET

WITH OPTIONAL DRAWERS