

Project: _____	AIA# _____
Item #: _____ Qty: _____	SIS# _____
Model #: _____	

## Coolers, One Zone, Side Serviced, Low Profile

C1SL24, C1SL28, C1SL36, C1SL44, C1SL48



C1SL48  
with compressor right, black vinyl-clad doors, and stainless top



**Intertek Intertek**  
 4004503  
 Conforms to NSF/ANSI STD 7 and UL STD 471  
 Certified to CSA STD C22.2 No. 120  
 Listed to NSF Standard 7 for open food storage

### Standard Features

- Locking door(s) (drawers sections do not lock)
- LED interior lighting
- Heated mullion to minimize condensation
- Any door opening may be converted to a drawer section
- Available without a finished top for integrated installation below customer supplied bar top
- 180° swinging door

### Specifications

#### Electrical

- 120V, 1 phase, 60 Hz
- Full load amps - 2.75
- Dedicated 15 amp circuit is required
- Includes a 6 foot NEMA 5-15P grounded cord and plug which exits the back of refrigeration compartment

#### Refrigeration

- R290 - 105 grams
- Compressor - 1/8 HP
- Heat rejection - 1126 BTU/Hr

#### Operating Range

- 34°F (1°C) to 40°F (4°C)

#### Plumbing

- Automatic condensate evaporator. No drain connection required.



#### Shelving

- Two adjustable coated shelves per door included (does not include wine drawer sections)

#### Materials

- Stainless steel parts include: interior, front of cabinet, hinges, hinge and lock brackets, and optional legs
- Black vinyl-clad steel parts include: standard sides, doors and compressor cover
- Galvanized steel parts include: exterior sub-top, back and bottom
- Zinc plated CR steel parts include: leg sockets

#### Weight Bearing Capacity

- Counter tops and other accessories should not exceed 500 pounds per door

### C1SL Configurable Options

#### Temperature:

- Beer/Food - 34°F to 40°F
- White wine - 50°F to 55°F
- Red wine - 60°F to 65°F

#### Refrigeration Compartment Location:

- Left or Right

#### Refrigeration Compartment Cover Finish:

- Black vinyl-clad
- Stainless steel
- Jeweled stainless

#### Door/Drawer Style & Finish:

- Door - Black vinyl-clad
- Door - Unlaminated
- Door - Stainless steel
- Door - Jeweled stainless
- Door - Laminated
- Door - Glass, black vinyl-clad
- Door - Glass, stainless steel
- Door - Glass, jeweled stainless
- Door - Glass, laminated
- Drawers - Black vinyl-clad
- Drawers - Stainless steel
- Drawers - Jeweled stainless
- Drawers - Laminated

#### Door Hinge Location (specify for each door):

- Left or Right

#### Door Handle:

(Note: drawers come with a stainless pull tab handle and no lock)

- Polished stainless
- Polished brass
- Stainless pull tab

#### Top Style:

- No finished top
- Stainless top
- Laminated top
- Drainboard top

#### Left and Right Side Finish:

- Black vinyl-clad
- Stainless steel
- Laminated

#### Back Finish:

- Galvanized steel
- Stainless steel

#### LED Lighting Style:

- Bright white (7,000k)
- Warm white (3,500k)
- Amber (2,700k)
- Blue

See our Product Directory for a complete list of cooler accessories.

Glastender, Inc. • 5400 N Michigan Rd • Saginaw, MI • 48604-9780  
 989.752.4275 • 800.748.0423 • Fax 989.752.4444  
[www.glastender.com](http://www.glastender.com)

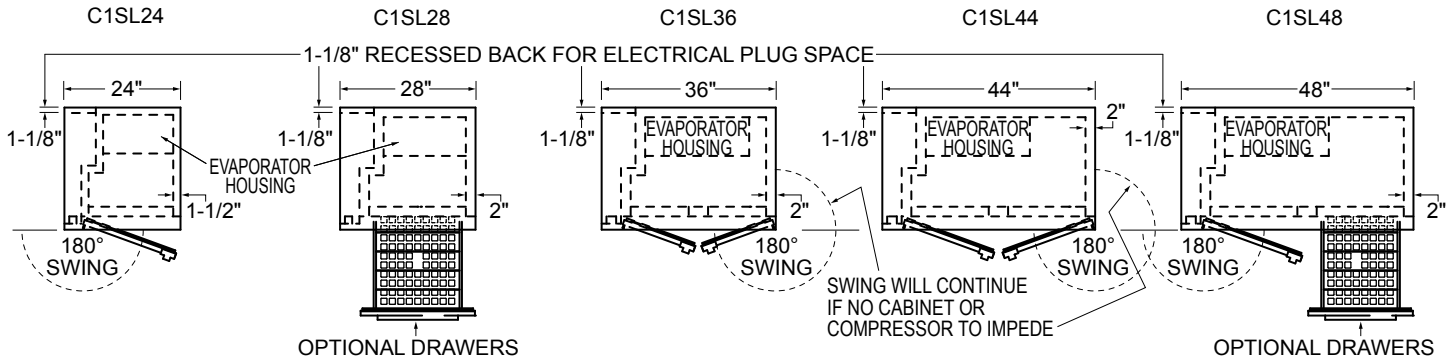
Approval/Notes:

Specifications subject to change without notice. For current specifications please visit our website.

# Coolers - One Zone, Side Serviced, Low Profile

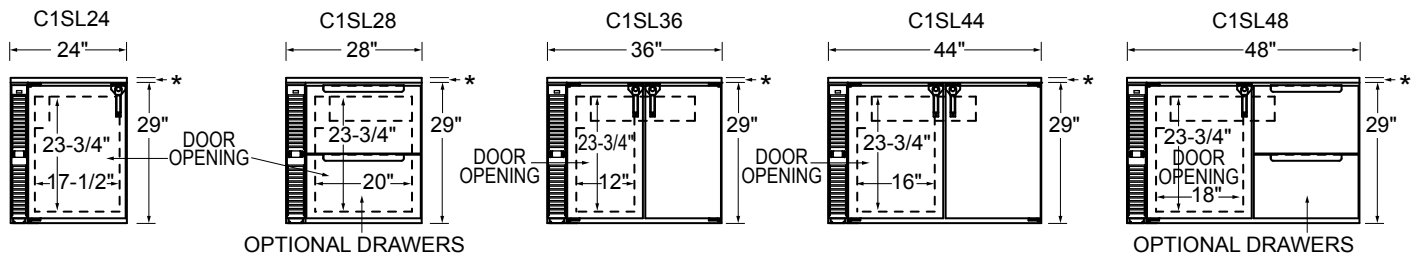
## Dimensional Information

### PLAN VIEWS



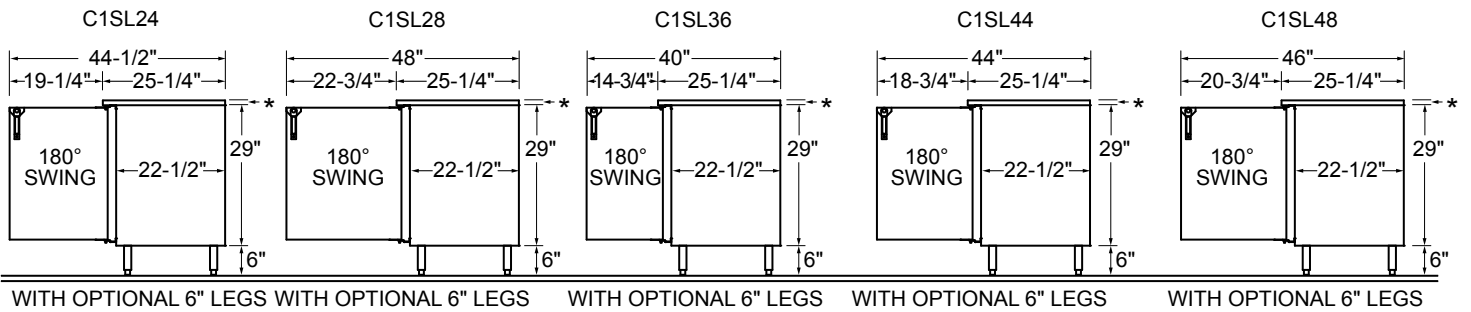
### FRONT VIEWS

\*ADD 1" HEIGHT TO TOP FOR FACTORY INSTALLED TOP



### SIDE VIEWS

\*ADD 1" HEIGHT TO TOP FOR FACTORY INSTALLED TOP



Note: Available with compressor left or right. Compressor left model shown.

Model	DOORS	Capacities	
		12 oz. bottles, cases	750ml wine bottles*
C1SL24	1	4.5	48
C1SL28	1	5.1	53
C1SL36	2	6.9	85
C1SL44	2	8.9	93
C1SL48	2	10.3	134

\*Drawer units hold up to 40 wine bottles per 20" section and up to 60 wine bottles per 24" section

### SIDE VIEWS

