

Glastender®

A family company manufacturing in the USA

www.glastender.com



C1SB24 with compressor left, stainless drawers, and stainless top



Intertek Intertek

4004503

Conforms to NSF/ANSI STD 7 and UL STD 471
 Certified to CSA STD C22.2 No. 120
 Listed to NSF Standard 7 for open food storage

Standard Features

- Locking door(s) (drawers sections do not lock)
- LED interior lighting
- Heated mullion to minimize condensation
- Any door opening may be converted to a drawer section or to draft dispensing
- Available without a finished top for integrated installation below customer supplied bar top
- 180° swinging door

Specifications

Electrical

- 120V, 1 phase, 60 Hz
- Full load amps - 2.75
- Dedicated 15 amp circuit is required
- Includes a 6 foot NEMA 5-15P grounded cord and plug which exits the back of refrigeration compartment

Refrigeration

- R290 - 105 grams
- Compressor - 1/8 HP
- Heat rejection - 1126 BTU/Hr

Operating Range

- 34°F (1°C) to 40°F (4°C)

Plumbing

- Automatic condensate evaporator. No drain connection required.



5-15P

Project: _____	AIA# _____
Item #: _____ Qty: _____	SIS# _____
Model #: _____	

Coolers, One Zone, Side Serviced, Bar Profile

C1SB24, C1SB28, C1SB36, C1SB44, C1SB48

C1SB Configurable Options

Temperature:

- Beer/Food - 34°F to 40°F
- White wine - 50°F to 55°F
- Red wine - 60°F to 65°F

Refrigeration Compartment

Location:

- Left or Right

Refrigeration Compartment

Cover Finish:

- Black vinyl-clad
- Stainless steel
- Jeweled stainless

Door/Drawer Style & Finish:

- Door - Black vinyl-clad
- Door - Unlaminated
- Door - Stainless steel
- Door - Jeweled stainless
- Door - Laminated
- Door - Glass, black vinyl-clad
- Door - Glass, stainless steel
- Door - Glass, jeweled stainless
- Door - Glass, laminated
- Drawers - Black vinyl-clad
- Drawers - Stainless steel
- Drawers - Jeweled stainless
- Drawers - Laminated

Door Hinge Location (specify for each door):

- Left or Right

Shelving (specify per door section):

- Three adjustable shelves
- Keg rack

Door Handle:

(Note: drawers come with a stainless pull tab handle and no lock)

- Polished stainless
- Polished brass
- Stainless pull tab

Top Style:

- No finished top
- Stainless top
- Laminated top

Left and Right Side Finish:

- Black vinyl-clad
- Stainless steel
- Laminated

Back Finish:

- Galvanized steel
- Stainless steel

LED Lighting Style:

- Bright white (7,000k)
- Warm white (3,500k)
- Amber (2,700k)
- Blue

See our Product Directory for a complete list of cooler accessories.

Glastender, Inc. • 5400 N Michigan Rd • Saginaw, MI • 48604-9780
 989.752.4275 • 800.748.0423 • Fax 989.752.4444
 www.glastender.com

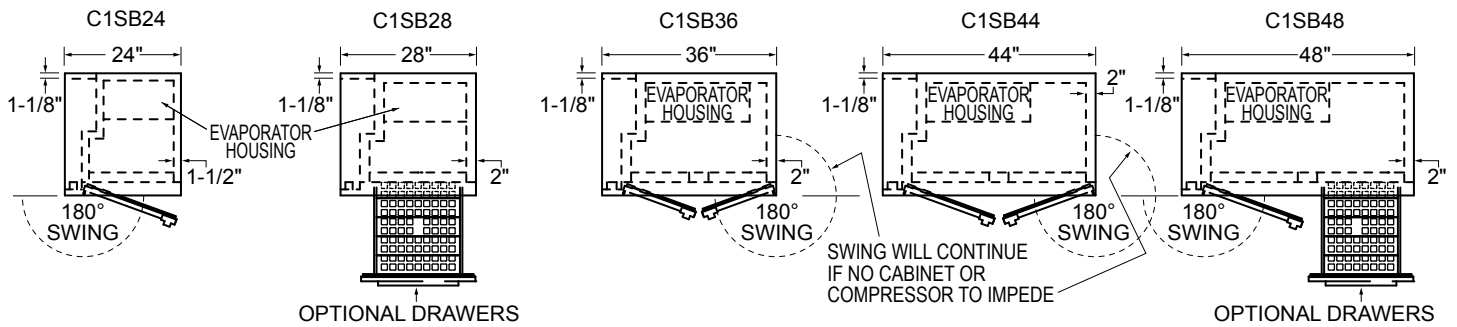
Approval/Notes:

Specifications subject to change without notice. For current specifications please visit our website.

Coolers - One Zone, Side Serviced, Bar Profile

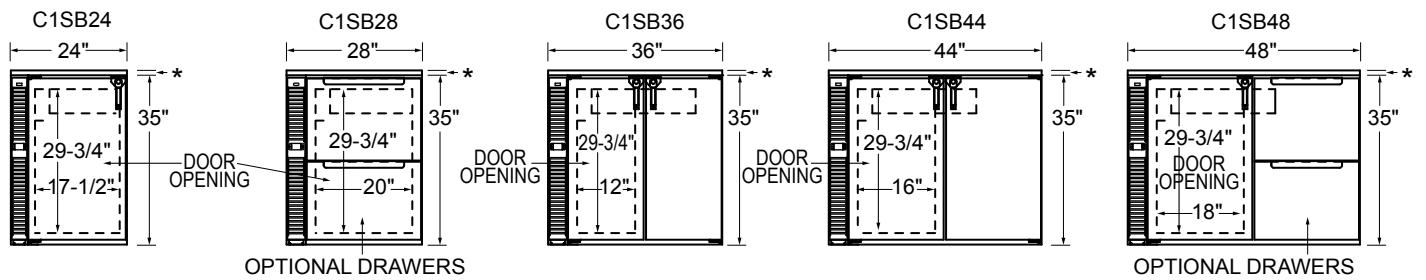
Dimensional Information

PLAN VIEWS



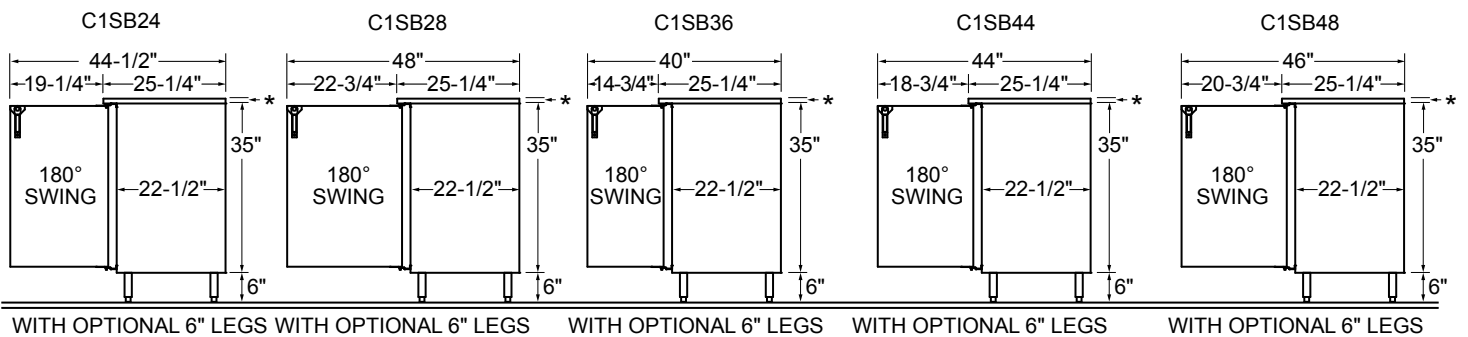
FRONT VIEWS

*ADD 1" HEIGHT TO TOP FOR FACTORY INSTALLED TOP



SIDE VIEWS

*ADD 1" HEIGHT TO TOP FOR FACTORY INSTALLED TOP

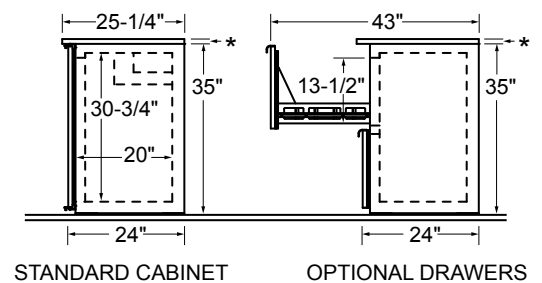


Note: Available with compressor left or right. Compressor left model shown.

Model	DOORS	Capacities			
		12 oz. bottles, cases	750ml wine bottles*	1/2 barrel kegs	1/6 barrel kegs
C1SB24	1	5.8	60	1	3
C1SB28	1	6.6	72	1	4
C1SB36	2	8.9	106	N/A	5
C1SB44	2	12.0	132	N/A	7
C1SB48	2	13.2	154	2	8

*Drawer units hold up to 40 wine bottles per 20" section and up to 60 wine bottles per 24" section

SIDE VIEWS



5400 N Michigan Rd • Saginaw, MI • 48604-9780
 989.752.4275 • 800.748.0423 • Fax 989.752.4444
 www.glastender.com

Printed in USA