



C1RL48
 with refrigeration
 hook-up left, black
 vinyl-clad doors, and
 laminated top



4004503
 Conforms to NSF/ANSI STD 7 and UL STD 471
 Certified to CSA STD C22.2 No. 120
 Listed to NSF Standard 7 for open food storage

Standard Features

- Remote unit
- All stainless steel interior with radius corners is easy to keep clean
- Locking doors
- LED interior lighting
- Heated mullion to minimize condensation
- Available without a finished top for integrated installation below customer supplied bar top
- 180° swinging doors
- Leg sockets recessed into base
- Stainless steel evaporator housing with separate removable evaporator drain pan

Specifications

Electrical

- 120V, 1 phase, 60 Hz, 1.5A full load amps
- Dedicated 15 amp circuit is required
- 14 gauge wire connection is made inside the cooler next to evaporator housing - interior access is through one of the 3/4" side knock-out holes (electrician's choice)

Refrigeration

- R134a, R404A, R448A, R449A, R422A, R452A, R513A, R407A, R407F, R445A, or R450A expansion valve & temperature control included. Specify type required when ordering.
- Refrigeration system capacity requirements* : C1RL24 - 800 BTU/hr, C1RL40, C1RL48 - 1,000 BTU/hr, C1RL60, C1RL72 - 1,300 BTU/hr, C1RB80, C1RB96 - 1,600 BTU/hr
- * BTU/hr design loads are figured assuming 85° F ambient, 15° F evaporator temperature, all glass doors, maximum internal loading, and average compressor cycling. No solar heat gain has been accounted for.
- All refrigeration hookups are made at the installation site

Project: _____	AIA# _____
Item #: _____ Qty: _____	SIS# _____
Model #: _____	

Coolers

One Zone, Remote, Low Profile

C1RL24, C1RL40, C1RL48, C1RL60,
 C1RL72, C1RL80, C1RL96

C1RL Configurable Options

Temperature:

- Beer/Food - 34°F to 40°F
- White wine - 50°F to 55°F
- Red wine - 60°F to 65°F

Expansion Valve Type:

- R134a/R513A
- R404A/R422A
- R448A/R452A
- R449A
- R407A/R407F
- R445A/R450A

Refrigeration Hook-Up Location:

- Left or Right

Door Style & Finish:

- Door - Black vinyl-clad
- Door - Unlaminated
- Door - Stainless steel
- Door - Jeweled stainless
- Door - Laminated
- Door - Glass, black vinyl-clad
- Door - Glass, stainless steel
- Door - Glass, jeweled stainless
- Door - Glass, laminated

Door Hinge Location (specify for each door):

- Left or Right

Door Handle:

- Polished stainless
- Polished brass
- Stainless pull tab

Top Style:

- No finished top
- Stainless top
- Laminated top
- Drainboard top

4" High Stainless Splashes (can only be ordered with stainless top):

- None
- Backsplash
- Left side splash
- Right side splash

Left and Right Side Finish:

- Black vinyl-clad
- Stainless steel
- Laminated

Back Finish:

- Galvanized steel
- Stainless steel

LED Lighting Style:

- Bright white (7,000k)
- Warm white (3,500k)
- Amber (2,700k)
- Blue

See our Product Directory for a complete list of cooler accessories.

Plumbing

- A six foot length of 1/2" ID by 5/8" OD plastic tubing is provided to drain condensate. The tubing should exit through one of the 3/4" side knock-out holes (installer's choice). The maximum drainage is one ounce per hour - consult local codes for compliance - a floor drain may be required

Shelving

- Two adjustable coated shelves per door included

Materials

- Stainless steel parts include: interior, front of cabinet, hinges, hinge and lock brackets, and optional legs
- Black vinyl-clad steel parts include: standard sides and doors
- Galvanized steel parts include: exterior sub-top, back and bottom
- Zinc plated CR steel parts include: leg sockets

Weight Bearing Capacity

- C1RL24 - Counter tops and other accessories should not exceed 400 pounds per door
- C1RL40, C1RL48, C1RL60, C1RL72, C1RB80, C1RB96 - Counter tops and other accessories should not exceed 500 pounds per door

Glastender, Inc. • 5400 N Michigan Rd • Saginaw, MI • 48604-9780
 989.752.4275 • 800.748.0423 • Fax 989.752.4444
www.glastender.com

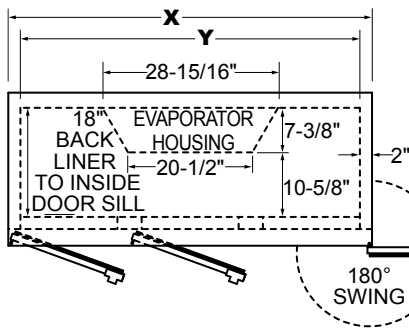
Approval/Notes:

Specifications subject to change without notice. For current specifications please visit our website.

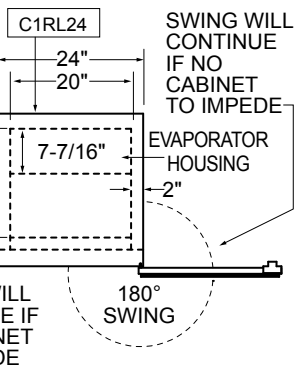
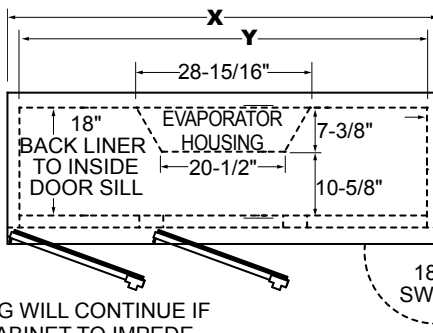
Coolers - One Zone, Remote, Low Profile

Dimensional Information

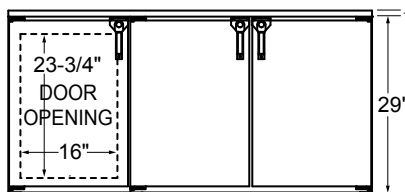
PLAN VIEW 16" DOOR OPENING



PLAN VIEW 20" DOOR OPENING

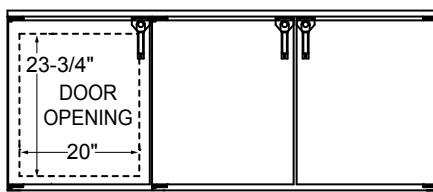


FRONT VIEW
16" DOOR OPENING

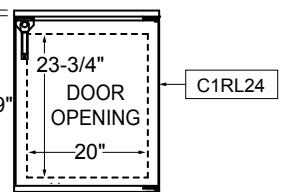


ADD 1" TO HEIGHT FOR
FACTORY INSTALLED TOP

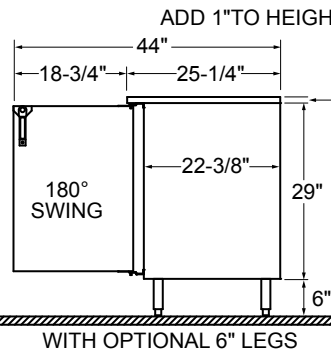
FRONT VIEW
20" DOOR OPENING



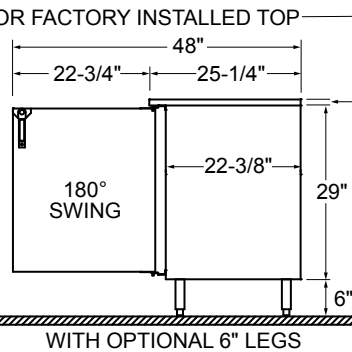
ADD 1" TO HEIGHT FOR
FACTORY INSTALLED TOP



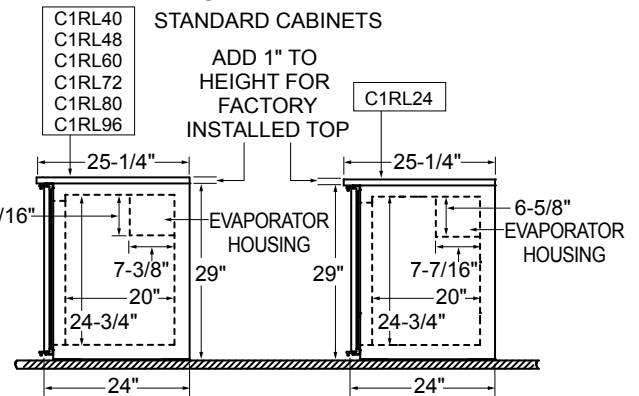
SIDE VIEW
16" DOOR OPENING



SIDE VIEW
20" DOOR OPENING



SIDE VIEW
STANDARD CABINETS



Note: Available with refrigeration hook-up location left or right.

16" Door Opening Models	X	Y	DOORS	Capacities	
				12 oz. bottles, cases	750ml wine bottles*
C1RL40	40"	36"	2	8.2	60
C1RL60	60"	56"	3	12.8	96
C1RL80	80"	76"	4	18.0	132

20" Door Opening Models	X	Y	DOORS	Capacities	
				12 oz. bottles, cases	750ml wine bottles*
C1RL24	24"	20"	1	4.3	36
C1RL48	48"	44"	2	10.3	84
C1RL72	72"	68"	3	16.8	126
C1RL96	96"	92"	4	23.3	168



5400 N Michigan Rd • Saginaw, MI • 48604-9780
989.752.4275 • 800.748.0423 • Fax 989.752.4444
www.glastender.com

Printed in USA