



Intertek
4004503
Conforms to ANSI/NSF STD 2



C-SR-18



C-DR-24



C-SRC-18



C-SRC-18
shown installed
on speed rail

Project: _____	AIA# _____
Item #: _____ Qty: _____	SIS# _____
Model #: _____	

Speed Rails & Locking Covers

Model numbers on reverse side

Standard Features

- All stainless steel construction
- Available in custom lengths up to 72". NOTE: Custom lengths are manufactured to order and are not returnable.
- Single and double step models
- Locking covers are available in custom lengths up to 48". For longer speed rails order two covers at half the length. For double speed rails order two times the number of covers.

Specifications

Materials

- 20 gauge stainless steel parts include: steps, rails, and locking cover
- 14 gauge stainless steel parts include: ends

To view cleaning and care instructions, please visit:
http://www.glastender.com/PDF/choice_ss_clean_care.pdf

Glastender, Inc. • 5400 North Michigan Road • Saginaw, MI • 48604-9780
989.752.4275 • 800.748.0423 • Fax 989.752.4444
www.glastender.com

Approval/Notes:

Specifications subject to change without notice. For current specifications please visit our website.

Choice Speed Rails & Locking Covers

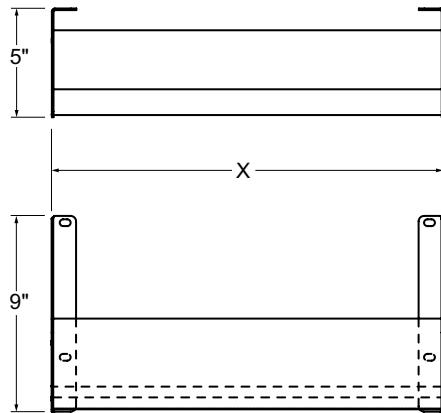
Dimensional Information

C-SR

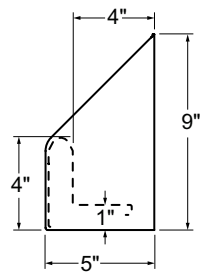
PLAN VIEW

Model C-SR-18 shown

Model Number	X =
C-SR-12	12"
C-SR-18	18"
C-SR-24	24"
C-SR-30	30"
C-SR-36	36"
C-SR-42	42"
C-SR-48	48"
C-SR-54	54"
C-SR-60	60"
C-SR-66	66"
C-SR-72	72"



FRONT VIEW



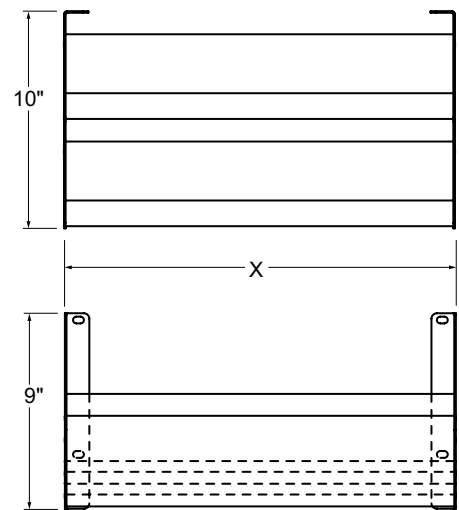
SIDE VIEW

C-DR

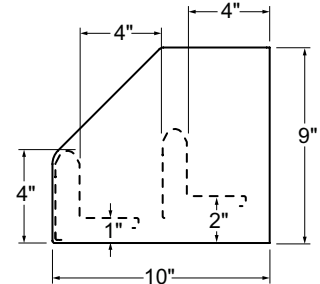
Model C-DR-18 shown

PLAN VIEW

Model Number	X =
C-DR-12	12"
C-DR-18	18"
C-DR-24	24"
C-DR-30	30"
C-DR-36	36"
C-DR-42	42"
C-DR-48	48"
C-DR-54	54"
C-DR-60	60"
C-DR-66	66"
C-DR-72	72"



FRONT VIEW

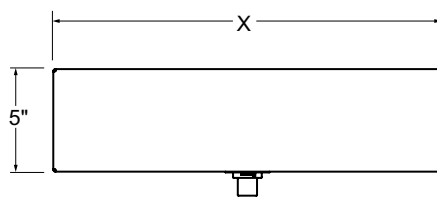


SIDE VIEW

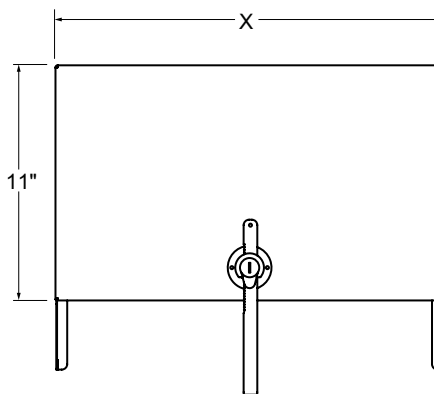
C-SRC

Model C-SRC-18 shown

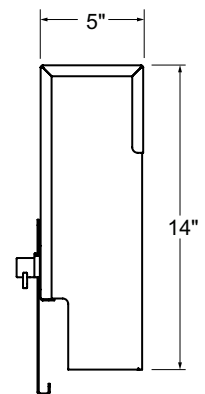
Model Number	X =
C-SRC-12	12"
C-SRC-18	18"
C-SRC-24	24"
C-SRC-30	30"
C-SRC-36	36"
C-SRC-42	42"
C-SRC-48	48"



PLAN VIEW



FRONT VIEW



SIDE VIEW

