

Project: _____	AIA# _____
Item #: _____ Qty: _____	SIS# _____
Model #: _____	

## Dry Waste Chutes

C-DW-12, C-DW-15L, C-DW-15R, C-DW-18



C-DW-15L



**Intertek**  
4004503  
Conforms to ANSI/NSF STD 2

### Standard Features

- All stainless steel construction
- Top lifts up in front for easy removal of trash receptacle
- Top lifts off completely for thorough cleaning
- Matches 30" high work surface profile of adjacent equipment
- Designed to house the Rubbermaid® Slim Jim™ trash receptacle

### Product Information

There are three different Dry Waste Chute models to meet various installation requirements. For all three models, the top lifts up for emptying the trash receptacle. The top also lifts off completely for more thorough cleaning.

The C-DW-12 is designed for mounting between two adjacent pieces of Choice underbar.

The C-DW-15L and C-DW-15R include a left or right side and leg set, respectively, for mounting to just one piece of Choice underbar.

The C-DW-18 is free standing.

All models are designed to house a Rubbermaid® Slim Jim™ trash receptacle, which is available from Glastender under part number 03000497.

### Specifications

*Legs (on 15" and 18" models only)*

- 1-5/8" diameter, 16 gauge stainless steel
- Thermoplastic bullet feet

*Materials*

- 20 gauge stainless steel parts include: all parts unless otherwise noted
- 18 gauge stainless steel parts include: top and bottom mounting channels

### Accessory

03000497 Slim Jim trash receptacle

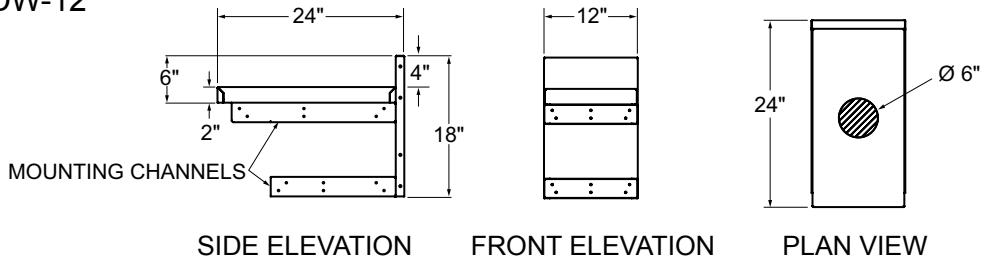
To view cleaning and care instructions, please visit:  
[http://www.glastender.com/PDF/choice\\_ss\\_clean\\_care.pdf](http://www.glastender.com/PDF/choice_ss_clean_care.pdf)

<b>Glastender, Inc.</b> • 5400 North Michigan Road • Saginaw, MI • 48604-9780 989.752.4275 • 800.748.0423 • Fax 989.752.4444 www.glastender.com	Approval/Notes:
Specifications subject to change without notice. For current specifications please visit our website.	

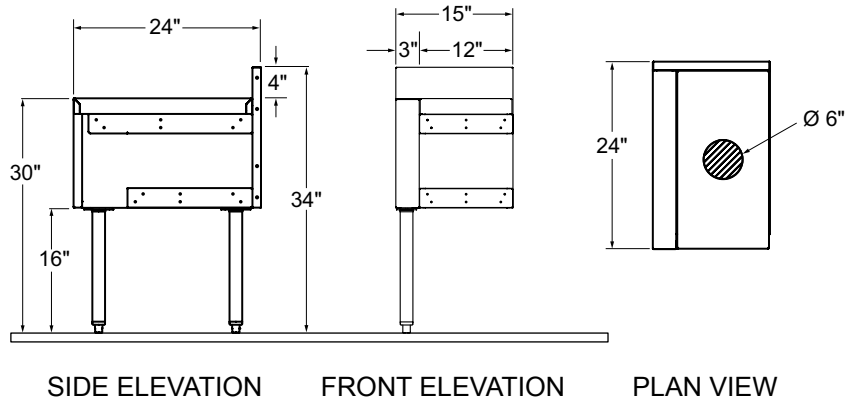
# Choice Dry Waste Chutes

## Dimensional Information

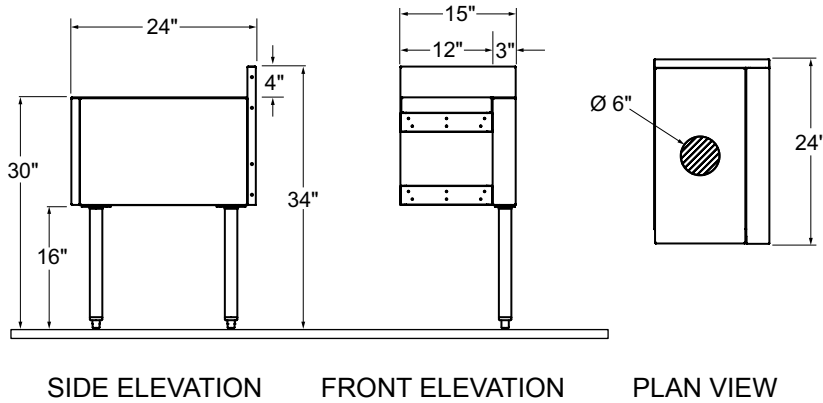
C-DW-12



C-DW-15L



C-DW-15R



C-DW-18

