

Project: _____	AIA# _____
Item #: _____ Qty: _____	SIS# _____
Model #: _____	

Beer Drainers

C-BD-18, C-BD-24, C-BD-30, C-BD-36



C-BD-18



Standard Features

- All stainless steel construction
- Designed with lowered work surface to work in conjunction with undercounter mounting beverage dispensers
- Adjustable thermoplastic bullet feet
- Backsplash pulled forward 5" to create large chaseway for beverage line access
- Front drain pan with lift-out stainless steel perforated insert

Specifications

Drain

- 1-1/2" I.P.S. Threaded drain will fit Dearborn part #8033 slipnut and part #W-573P washer.

Legs

- 1-5/8" diameter, 16 gauge stainless steel
- Thermoplastic bullet feet

Materials

- 20 gauge stainless steel

Product Information

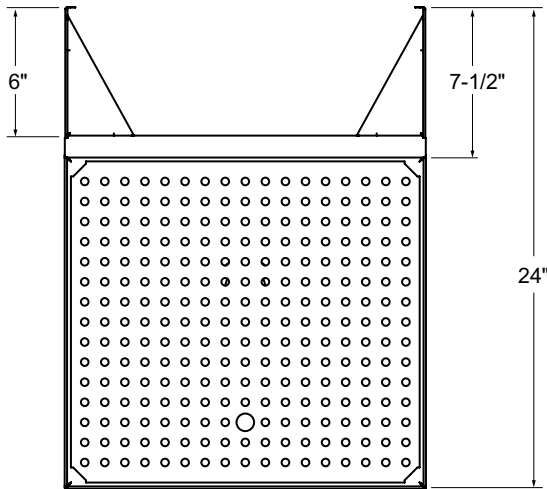
Beer Drainers have a 26" high, lowered work surface and are designed specifically for use with undercounter mounting beverage dispensers. The work surface includes a drain pan with perforated insert to serve as the drip pan for the dispenser and the backsplash is pulled forward 5" to provide access for beverage lines.

To view cleaning and care instructions, please visit:
http://www.glastender.com/PDF/choice_ss_clean_care.pdf

Glastender, Inc. • 5400 North Michigan Road • Saginaw, MI • 48604-9780 989.752.4275 • 800.748.0423 • Fax 989.752.4444 www.glastender.com	Approval/Notes:
Specifications subject to change without notice. For current specifications please visit our website.	

Choice Beer Drainers

Dimensional Information



Model Number	X
C-BD-18	18"
C-BD-24	24"
C-BD-30	30"
C-BD-36	36"

