

Project: _____	AIA# _____
Item #: _____ Qty: _____	SIS# _____
Model #: _____	

POS Cabinets

C-PCB-18, C-PCB-18-LD, C-PCB-24, C-PCB-24-LD

Standard Features

- All stainless steel construction with adjustable thermoplastic bullet feet
- One-piece seamless top and backsplash
- Louvered door for air flow on models with a door
- Lock standard on models with a door
- Available without door (add suffix “-LD” to model number)
- Special 26” high work surface height to accommodate cash drawer and POS monitor
- Grommeted cord access hole in work surface
- Large access hole in back wall of unit
- Includes left and right side splashes

Specifications

Legs

- 1-5/8” diameter, 16 gauge stainless steel
- Thermoplastic bullet feet

Materials

- 20 gauge stainless steel parts include: all components unless otherwise noted
- 18 gauge stainless steel parts include: leg pads



C-PCB-24



Intertek
4004503

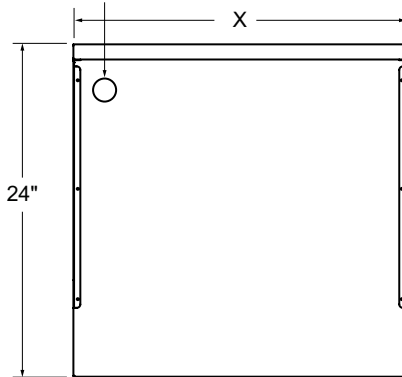
Conforms to ANSI/NSF STD 2

To view cleaning and care instructions, please visit:
http://www.glastender.com/PDF/choice_ss_clean_care.pdf

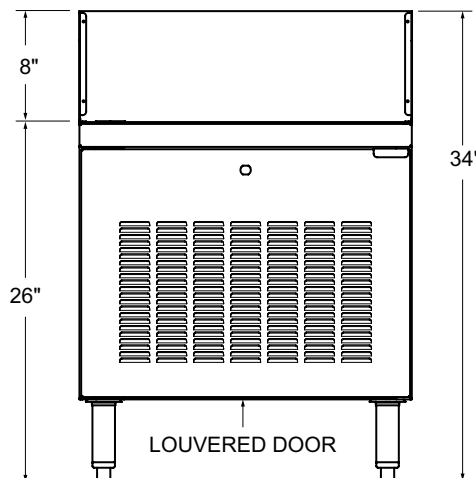
Dimensional Information

Model Number	X
C-PCB-18	18"
C-PCB-18-LD	18"
C-PCB-24	24"
C-PCB-24-LD	24"

GROMMETED CORD ACCESS HOLE

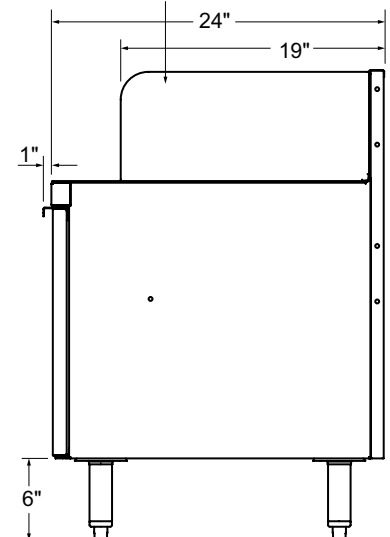


PLAN VIEW



FRONT VIEW

LEFT & RIGHT SIDE SPLASHES



SIDE VIEW

Glastender, Inc. • 5400 North Michigan Road • Saginaw, MI • 48604-9780
989.752.4275 • 800.748.0423 • Fax 989.752.4444
www.glastender.com

Approval/Notes:

Specifications subject to change without notice. For current specifications please visit our website.