

Project: _____	AIA# _____
Item #: _____ Qty: _____	SIS# _____
Model #: _____	

Sink Cabinets

C-SC-12, C-SC-12-LD, C-SC-18, C-SC-18-LD,
C-SC-24L, C-SC-24R, C-SC-24L-LD, C-SC-24R-LD

C-SC-12



Intertek
4004503

Conforms to NSF/ANSI STD 2
Certified to CSA STD B45.4



C-SC-18



C-SC-24R

Standard Features

- Manufactured with total welded construction to meet NSF[®] standards
- All stainless steel construction
- One-piece seamless top and backsplash featuring 1/4" radius corners for easy cleaning
- Adjustable thermoplastic bullet feet
- 9-1/4" by 11-1/2" by 6" deep sink bowl with hot and cold water gooseneck faucet
- Cabinet base with front hinged access door (available less door - specify "-LD" suffix in model number)

All faucets are NSF/ANSI 61, Annex G low lead compliant

Product Information

All Sink Cabinets are 24" deep and available with or without a locking door.

The 12" wide chemical storage cabinet holds three 1-gallon chemical containers.

The 18" wide dry waste cabinet holds a trash receptacle and has a 6" round trash chute in the work surface. The trash receptacle is not included.

The two 24" wide models include a 12" drainboard section with corrugated work surface. A vertical center divider allows three 1-gallon chemical containers to be stored below the sink with the other side of the cabinet available for additional storage. An intermediate shelf for the cabinet storage below the drainboard is available as an accessory. The sink may be located to the left or right, which is signified by the L or R in the model number.

Specifications

Drain

- 1-1/2" I.P.S. Threaded drain will fit Dearborn part #8033 slipnut and part #W-573P washer.

Faucet

- Deck mount on 4" centers, accepts 3/8" sink leads, hot and cold water connection required

Sink Bowl Dimensions

- 9-1/4" by 11-1/2" by 6" deep

Legs

- 1-5/8" diameter, 16 gauge stainless steel
- Thermoplastic bullet feet

Materials

- 20 gauge stainless steel parts include: all components unless otherwise noted
- 18 gauge stainless steel parts include: leg pads

Accessories

03000483	Wet waste sink strainer
C-LSB-D	Left side splash
C-RSB-D	Right side splash
DWC	Trash receptacle, stainless steel, for C-SC-18 models
03005491	Trash receptacle, 28-1/2 qt, plastic, for C-SC-18 models

TR	Towel ring
03013600	Shelf kit for storage area below drainboard on C-SC-24 models
03000511	Wrist handles (set of two)

To view cleaning and care instructions, please visit:
http://www.glastender.com/PDF/F-423-011_ss_clean_care.pdf

Glastender, Inc. • 5400 North Michigan Road • Saginaw, MI • 48604-9780
989.752.4275 • 800.748.0423 • Fax 989.752.4444
www.glastender.com

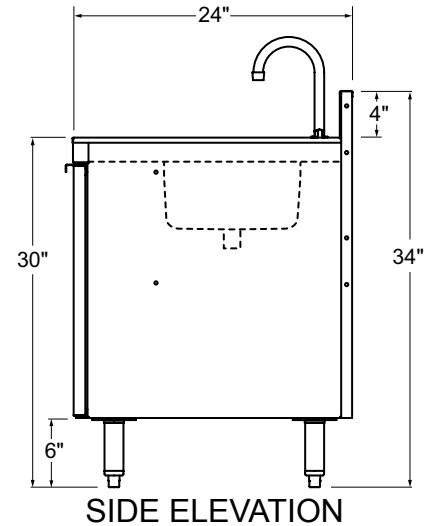
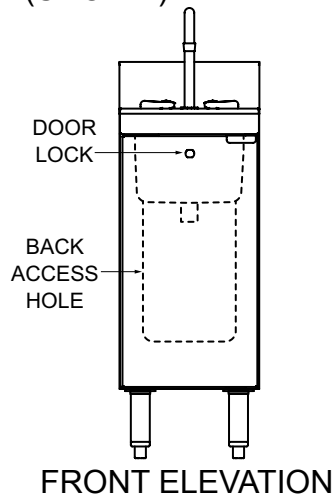
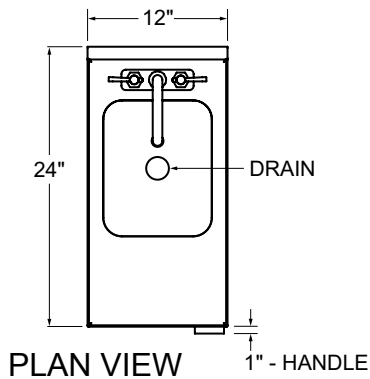
Approval/Notes:

Specifications subject to change without notice. For current specifications please visit our website.

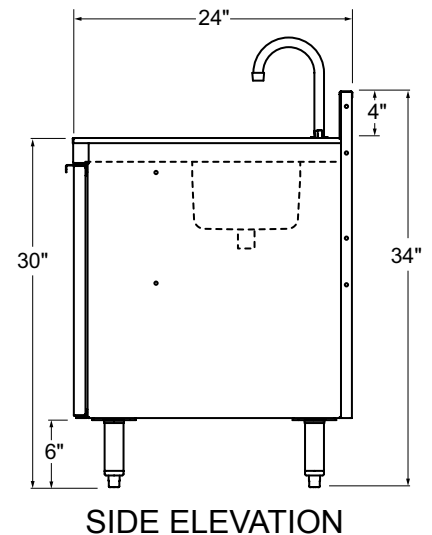
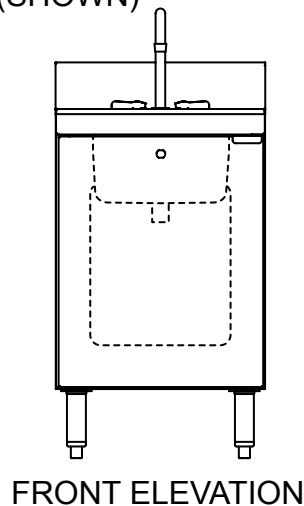
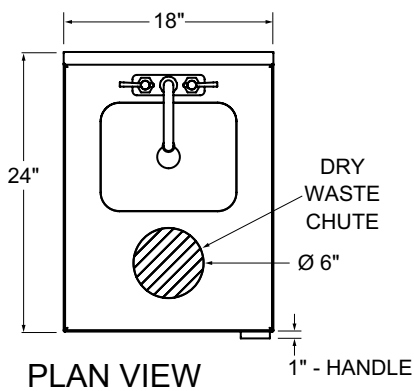
Choice Sink Cabinets

Dimensional Information

C-SC-12-LD (LESS DOOR), C-SC-12 (SHOWN)



C-SC-18-LD (LESS DOOR), C-SC-18 (SHOWN)



C-SC-24L OR R-LD (LESS DOOR), C-SC-24L OR R (LEFT SHOWN)

NOTE: The C-SC-24L-LD and C-SC-24L have the sink located on the left. Specify C-SC-24R-LD or C-SC-24R for sink located on the right.

