



C-HSA-12-D



Intertek

4004503

Conforms to NSF/ANSI STD 2
Certified to CSA STD B45.4

**All faucets are NSF/ANSI 61, Annex G
low lead compliant**

Specifications

Drain

- 1-1/2" I.P.S. Threaded drain will fit Dearborn part #8033 slipnut and part #W-573P washer.

Faucet

- Deck mount on 4" centers, accepts 3/8" sink leads, hot and cold water connection required

Sink Bowl Dimensions

- 9-1/4" by 11-1/2" by 6" deep

Legs

- 1-5/8" diameter, 16 gauge stainless steel
- Thermoplastic bullet feet

Materials

- 20 gauge stainless steel parts include: all components unless otherwise noted
- 18 gauge stainless steel parts include: towel dispenser on "-D" models

⚠ WARNING: The plastic wet waste strainer included with this product can expose you to chemicals including Bisphenol A (BPA), which is known to the State of California to cause birth defects or other reproductive harm. For more information, go to www.P65Warnings.ca.gov. **Part #03000483**
Warning applies to State of California only.

Project: _____	AIA# _____
Item #: _____ Qty: _____	SIS# _____
Model #: _____	

Single Bowl Sinks

C-HSA-12, C-HSA-12-D, C-SWA-12,
C-HSB-12, C-HSB-12-D, C-SWB-12

Standard Features

- Manufactured with total welded construction to meet NSF[®] standards
- All stainless steel construction
- One piece seamless top and backsplash featuring 1/4" radius corners for easy cleaning
- Adjustable thermoplastic bullet feet
- 9-1/4" by 11-1/2" by 6" deep sink bowl with hot and cold water gooseneck faucet
- Models C-HSA-12-D and C-HSB-12-D feature a soap dispenser and front skirt mounted C-fold paper towel dispenser
- Wet waste sink models C-SWA-12 and C-SWB-12 include a lift-out perforated plastic wet waste strainer

Accessories

C-SR-12	12" single speed rail, cannot mount to "-D" models
C-DR-12	12" double speed rail, cannot mount to "-D" models
C-DWR-S	Dry waste rail, aligns with single speed rail, cannot mount to "-D" models
C-DWR-D	Dry waste rail, aligns with double speed rail, cannot mount to "-D" models
C-LSA-D	Left side splash for 19" deep (A) models
C-RSA-D	Right side splash for 19" deep (A) models
C-LSB-D	Left side splash for 24" deep (B) models
C-RSB-D	Right side splash for 24" deep (B) models
03000483	Wet waste sink strainer (standard on "SW" models)
03000511	Wrist handles, set of two
TR	Towel ring
DWC	Trash receptacle, stainless steel
03005491	Trash receptacle, 28½ qt., gray plastic
TD-C	Paper towel dispenser, C-fold
03001873	Liquid soap dispenser, hand-pump

To view cleaning and care instructions, please visit:
http://www.glastender.com/PDF/F-423-011_ss_clean_care.pdf

Glastender, Inc. • 5400 North Michigan Road • Saginaw, MI • 48604-9780
989.752.4275 • 800.748.0423 • Fax 989.752.4444
www.glastender.com

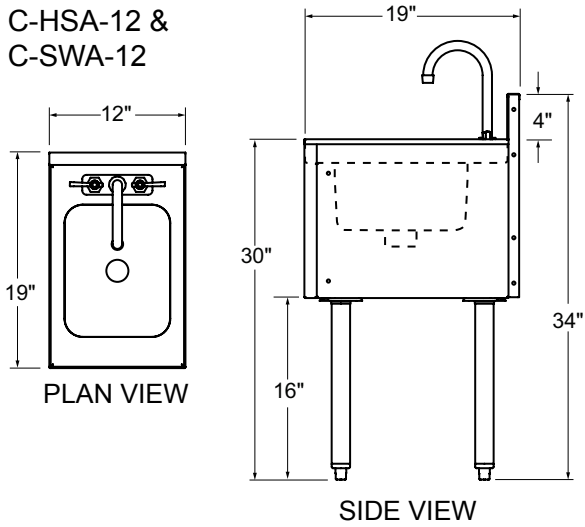
Approval/Notes:

Specifications subject to change without notice. For current specifications please visit our website.

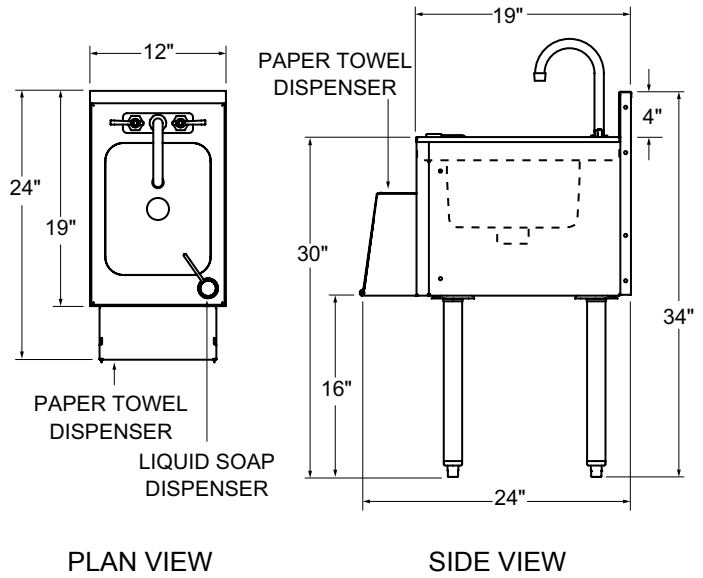
Choice Single Bowl Sinks

Dimensional Information

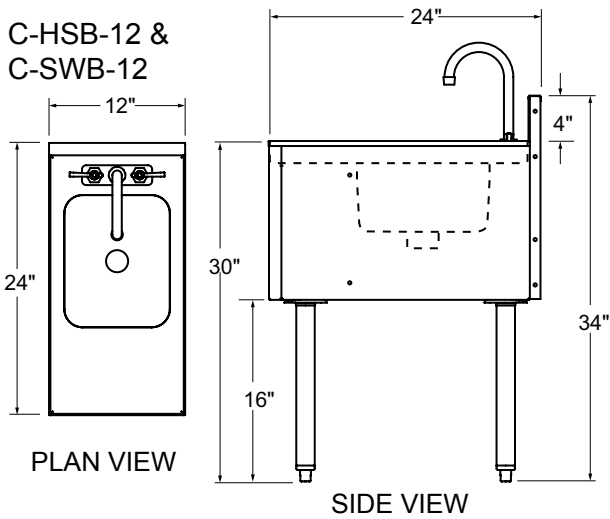
C-HSA-12 & C-SWA-12



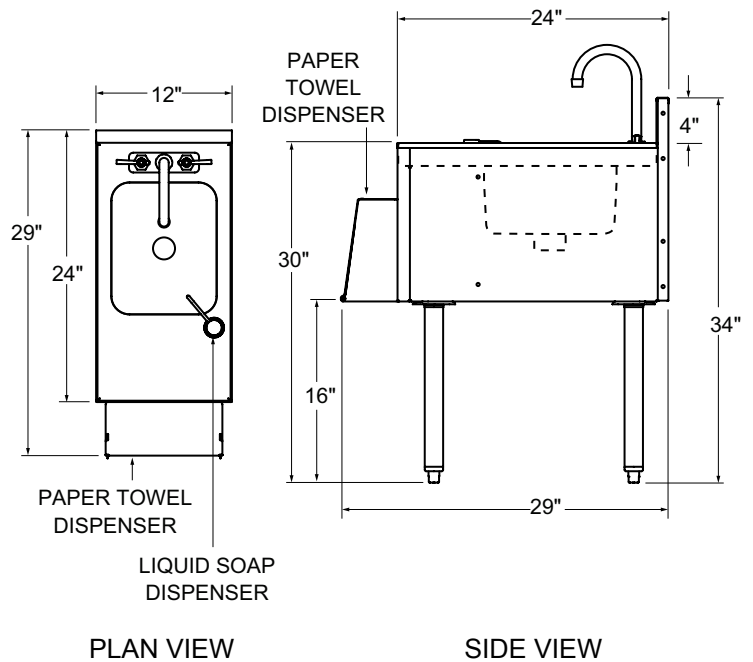
C-HSA-12-D



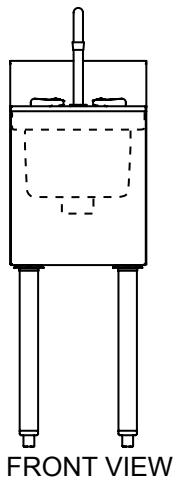
C-HSB-12 & C-SWB-12



C-HSB-12-D



C-HSA-12, C-HSB-12, C-SWA-12, & C-SWB-12



C-HSA-12-D & C-HSB-12-D

