

Project: _____	AIA# _____
Item #: _____ Qty: _____	SIS# _____
Model #: _____	

## Tubing Chases

C-TCA, C-TCB

### Standard Features

- All stainless steel construction
- Tubing chase is 5-1/2" x 6" x 4" high
- Mounts between adjacent underbar equipment (there is no provision for leg mounting)
- Can be set in place after beverage lines are installed

### Specifications

#### Tubing Chase

- 5-1/2" x 6" x 4" high

#### Materials

- 20 gauge stainless steel

#### Mounting

- Must be mounted to adjacent piece of free standing underbar equipment
- No provisions for leg mounting, unit cannot be free standing

To view cleaning and care instructions, please visit:

[http://www.glastender.com/PDF/choice\\_ss\\_clean\\_care.pdf](http://www.glastender.com/PDF/choice_ss_clean_care.pdf)

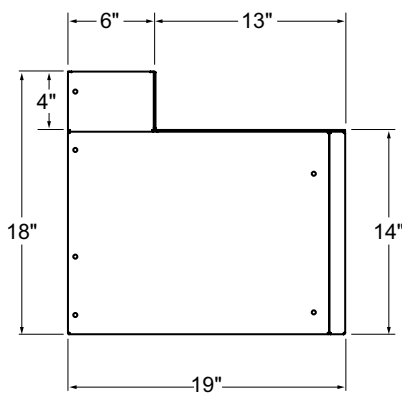


C-TCA

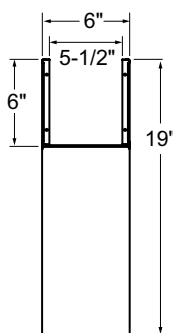


### Dimensional Information

C-TCA

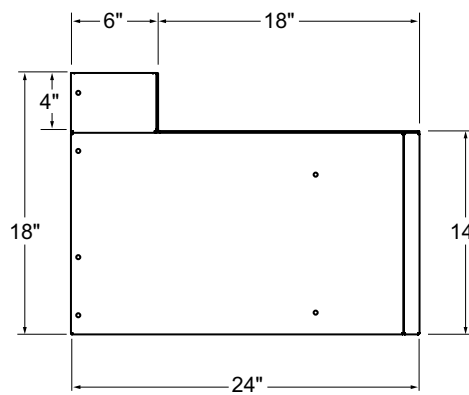


SIDE ELEVATION

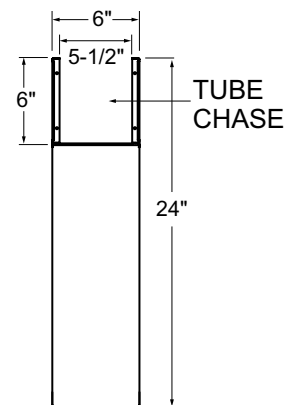


PLAN VIEW

C-TCB



SIDE ELEVATION



PLAN VIEW

Glastender, Inc. • 5400 North Michigan Road • Saginaw, MI • 48604-9780  
989.752.4275 • 800.748.0423 • Fax 989.752.4444  
www.glastender.com

Approval/Notes:

Specifications subject to change without notice. For current specifications please visit our website.