

Project: _____	AIA# _____
Item #: _____ Qty: _____	SIS# _____
Model #: _____	

## Soda Manifold Housings



C-SMHA-4, C-SMHA-4-ED, C-SMHA-6, C-SMHA-6-ED, C-SMHB-4, C-SMHB-4-ED, C-SMHB-6, C-SMHB-6-ED, C-SMHP-4, C-SMHP-4-ED, C-SMHP-6, C-SMHP-6-ED

### Standard Features

- Stainless steel construction
- Designed to house the manifold of Wunder-Bar® or Schroeder America™ 8 to 14 button soda guns
- Once installed, the top of the housing is 34" high
- Top cover is removable for access to the soda manifold
- Eliminates the need for tubing bundles above the work surface
- Mounts to an adjacent piece of Choice underbar (there is no provision for leg mounting)
- The soda gun drip cup supplied by the soda gun manufacturer mounts to the underside of your bar top
- Extra deep "-ED" models available to align with extra-deep-style ice bins



**Intertek**  
4004503  
Conforms to ANSI/NSF STD 2

### Specifications

- Materials*
- 20 gauge stainless steel parts include: all components unless otherwise noted

To view cleaning and care instructions, please visit:  
[http://www.glastender.com/PDF/F-423-011\\_ss\\_clean\\_care.pdf](http://www.glastender.com/PDF/F-423-011_ss_clean_care.pdf)



C-SMHA-6 with top cover removed and soda manifold installed.



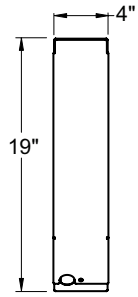
Installation photo showing soda gun drip cup mounted below bar top.

<p><b>Glastender, Inc.</b> • 5400 North Michigan Road • Saginaw, MI • 48604-9780 989.752.4275 • 800.748.0423 • Fax 989.752.4444 www.glastender.com</p>	<p>Approval/Notes:</p>
<p>Specifications subject to change without notice. For current specifications please visit our website.</p>	

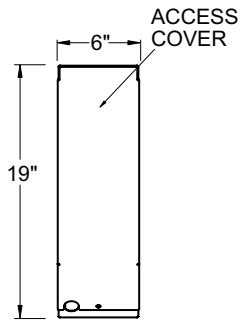
# Choice Soda Manifold Housings

## Dimensional Information

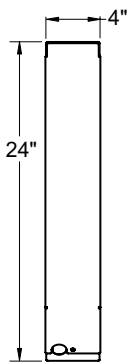
### PLAN VIEWS



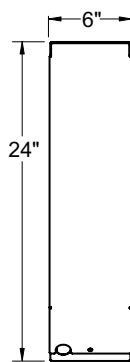
C-SMHA-4  
C-SMHA-4-ED



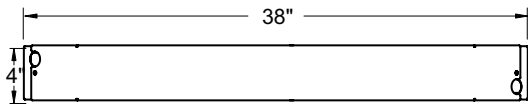
C-SMHA-6  
C-SMHA-6-ED



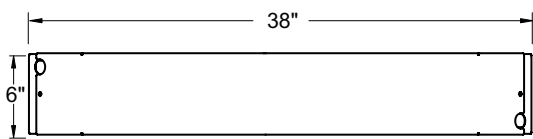
C-SMHB-4  
C-SMHB-4-ED



C-SMHB-6  
C-SMHB-6-ED

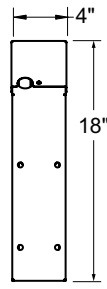


C-SMHP-4, C-SMHP-4-ED

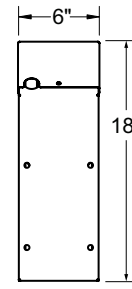


C-SMHP-6, C-SMHP-6-ED

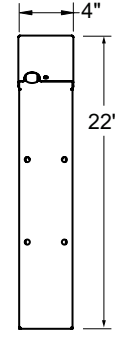
### FRONT VIEWS



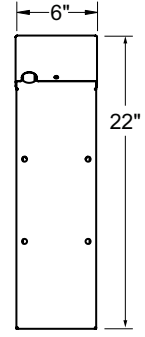
C-SMHA-4  
C-SMHB-4  
C-SMHP-4



C-SMHA-6  
C-SMHB-6  
C-SMHP-6

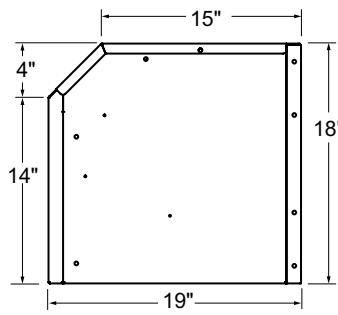


C-SMHA-4-ED  
C-SMHB-4-ED  
C-SMHP-4-ED

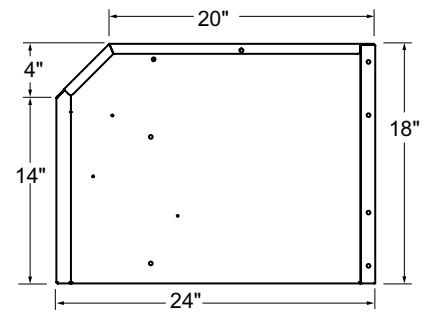


C-SMHA-6-ED  
C-SMHB-6-ED  
C-SMHP-6-ED

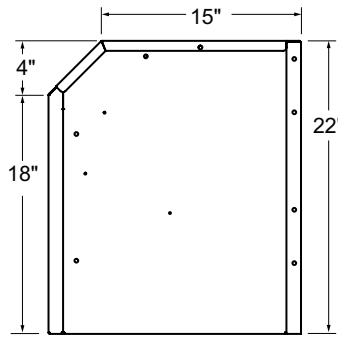
### SIDE ELEVATIONS



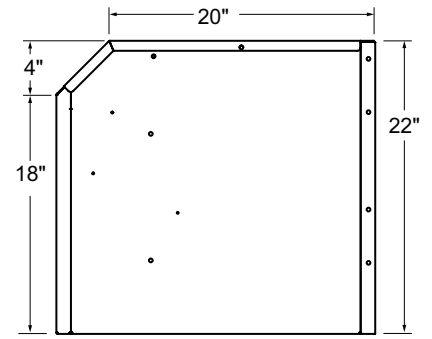
C-SMHA-4, C-SMHA-6



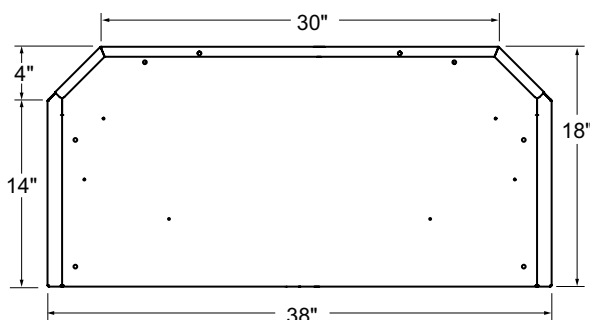
C-SMHB-4, C-SMHB-6



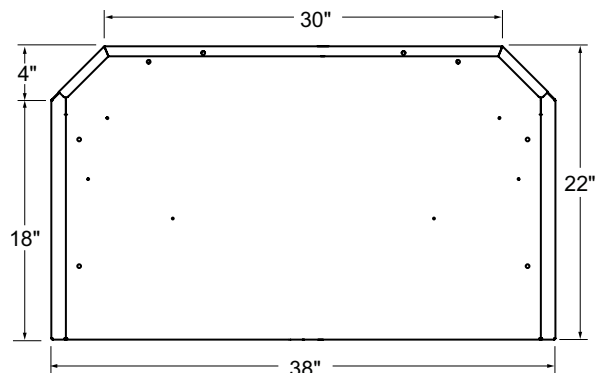
C-SMHA-4-ED, C-SMHA-6-ED



C-SMHB-4-ED, C-SMHB-6-ED



C-SMHP-4, C-SMHP-6



C-SMHP-4-ED, C-SMHP-6-ED