

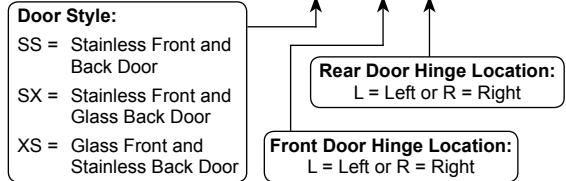
Project: _____	AIA# _____
Item #: _____ Qty: _____	SIS# _____
Model #: _____	

Countertop Merchandiser



CM24XS-RR

CM24



Standard Features

- Self-contained forced air refrigeration system for uniform cooling of product
- Automatic condensate evaporator
- Digital thermostat with automatic defrost
- All stainless steel interior construction
- Stainless steel exterior construction with galvanized steel bottom
- CFC free foamed-in-place insulation
- Removable condenser air inlet filter for easy cleaning
- Six-foot grounded cord and plug provided
- Available with two stainless steel doors or with one glass door with stainless steel frame and one stainless steel door
- LED interior lights with on/off switch
- 4" adjustable legs available for countertop installation



Intertek



Intertek

Conforms to NSF/ANSI STD 7 and UL STD 471
 Certified to CSA STD C22.2 No. 120
 Meets NSF 7 requirements for open food storage

Specifications

Electrical

- 120V, 1 phase, 60 Hz, 3.0 full load amps
- Separate 15 amp circuit is required
- Includes a 6-foot NEMA 5-15P grounded cord



Refrigeration

- 1/8 HP, R134a refrigerant
- 1,228 BTU/hr heat rejection

Plumbing

- Automatic condensate evaporator. No drain connection required.

Capacity

- Interior Dimensions: 21"W x 23"H x 17"D
- 4.7 cubic feet of storage space

Operating Range

- 34°F (1°C) to 40°F (4°C)

Shelving

- Two adjustable coated shelves included

Legs (Optional)

- 4" adjustable legs

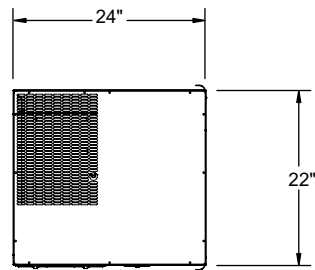
Materials

- Stainless steel parts include: interior, doors, and exterior front, sides and top
- Galvanized steel parts include: condensing unit floor and exterior bottom

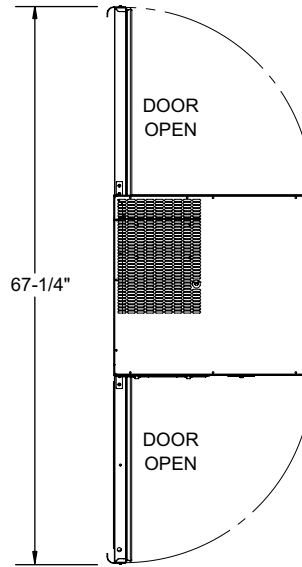
Glastender, Inc. • 5400 North Michigan Road • Saginaw, MI • 48604-9780 989.752.4275 • 800.748.0423 • Fax 989.752.4444 www.glastender.com	Approval/Notes:
Specifications subject to change without notice. For current specifications please visit our web site.	

Countertop Merchandiser

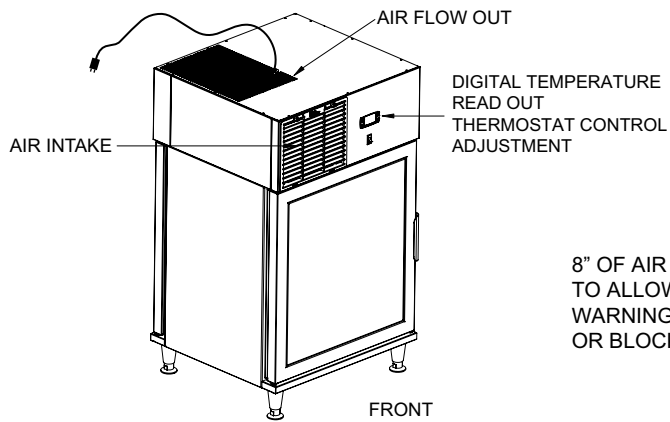
Dimensional Information



FRONT

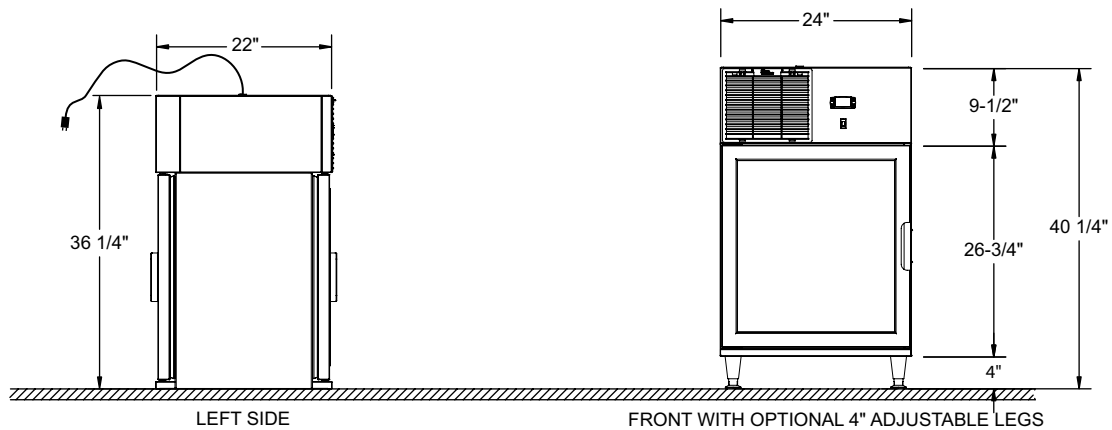


PLAN VIEWS



8" OF AIR SPACE IS REQUIRED ABOVE UNIT TO ALLOW FOR AIR FLOW OUT
WARNING: COMPRESSOR FAILURE DUE TO RESTRICTION OR BLOCKAGE OF AIR FLOW WILL VOID WARRANTY.

ISOMETRIC VIEWS



ELEVATION VIEWS



5400 North Michigan Road • Saginaw, MI • 48604-9780
989.752.4275 • 800.748.0423 • Fax 989.752.4444
www.glastender.com

Printed in USA